

Compact & Clear !

High Resolution Day & Night Dome Camera



imagine The Smaller, The Shrewder

SID-45C/46C is a professional-quality high-resolution day & night dome camera. The new SID-45C/46C comes with more power and excellence in surveillance functions. Together with outstanding features, its compact and elegant style dome matches a wide variety of indoor applications.

SAMSUNG



high resolution Day & Night dome opens a new chapter

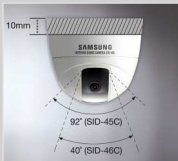
SID-45C/46C is the newest product of Samsung Techwin dome camera SID series which have proved their high quality and performance, and have been widely installed in banks, hotels, department stores, and office buildings. As more compact in size, the SID-45C/46C dome camera is equipped with enhanced surveillance functions. Employing the WinnerIII, a high performance DSP engine at its heart, the dome offers Day & Night function, excellent low light sensitivity of 0.002Lux and more than 530TV lines of image quality at all times. There are also built-in functions including the convenient OSD menu, 4 zone privacy masking and motion detection for more efficiency and convenience of monitoring. In addition, the SID-45C/46C fulfills users' expectations through its reasonable price as well as a trustworthy top level quality.



Smaller in appearance, Broader surveillance range



SID-45C/46C is smaller and more compact compared to the previous SID series. The miniaturized dome camera is ideally designed for places where the camera and interior design of the building should be in harmony, such as financial businesses, shopping centers, building lobbies and small retails. The camera comes equipped with two types of lens for more optimized monitoring. The SID-45C offers broader range of monitoring view with a built-in 13.7mm wide-angle lens and the SID-46C with a 8mm fixed lens is ideal for more accurate and focused surveillance of distant objects.



Superb high quality image with 530TV lines

530TVL

By combining and optimizing Samsung's experience in advanced optical technology, high performance Super HAD CCD and WIII integrated DSP chip, its resolution has been developed higher than 530TV line resulting in easier identification of objects. Its S/N ratio is over 50dB, which also contributes to a clearer image quality.



Privacy Masking

Up to 4 zones can be masked within a surveillance area where you do not wish to watch, in order to prevent potential legal problems caused by privacy invasion.



Wide Range White Balance

It offers a unique white balance function which automatically selects the natural color within the color temperature range of 1,800°K ~ 10,500°K resulting in excellent color presentation.





camera, **SID-45C/46C** with a superb performance...



Day & Night function Excellent sensitivity of 0.002Lux



SID-45C/46C provides Day & Night function for more efficient monitoring. In night-time conditions it automatically changes from color to monochrome mode to provide a high resolution low light surveillance. And it ensures a high sensitivity of 0.002Lux(Sens-up) making it ideal for locations where lighting is poor yet requires accurate identification of objects.



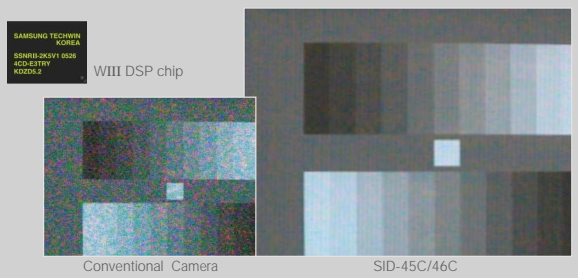
Conventional Camera

SID-45C/46C

Samsung's unique noise reduction, SSNR



The built-in WIII chip of SID-45C/46C uses the independently developed SSNR to help remove low-light level picture noise and ghost image effectively. Up to 70% of DVR HDD capacity has been reduced by achieving clearer picture quality without noise and reducing the size of recording file.



Conventional Camera

SID-45C/46C

Motion Detection

Motion detection function automatically detects movements occurring within the areas surveyed, which in return enables you to react quickly to a potential danger.



Convenient OSD

SID-45C/46C has an on-screen text display menu for easier selection and control of functions. It also allows you to set in the camera the names of each surveillance area.



High Resolution Day & Night Dome Camera

SID-45C/46C

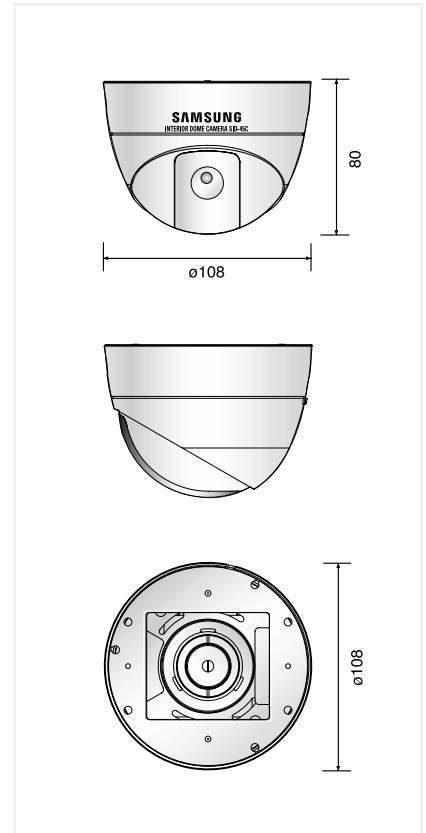


Specifications

Mode	SID-45CN	SID-46CN	SID-45CP	SID-46CP
Power Source	12V DC \pm 10%			
Power Consumption	Max. 1.8W			
Image Pick-up Devide	1/3" Super HAD CCD			
Total Pixels	811(H) x 508(V)		795(H) x 596(V)	
Effective Pixels	768(H) x 494(V)		752(H) x 582(V)	
Scanning System	2 : 1 Interlace		2 : 1 Interlace	
	625 Lines / 60 Fields / 30 Frames		625 Lines / 50 Fields / 25 Frames	
Synchronization	Internal only			
Scanning Frequency	Horizontal : 15,734KHz / Vertical : 59.94Hz		Horizontal : 15,625KHz / Vertical : 50Hz	
Resolution	530TV lines			
Video Output	CVBS : 1.0Vp-p / 75 Ω			
S / N Ratio (Y signal)	50dB (AGC off, Weight on)			
Min. Illumination	0.3Lux @ F1.2 (Normal color mode)			
	0.002Lux @ F1.2 (Sens-up mode)			
Day & Night	On / Auto selectable (Electrical)			
Back Light Compensation	Built-in			
Gain Control	Off / Low / Middle / High selectable			
SSNR	Off / Low / Middle / High selectable (Noise control)			
White Balance	ATW / AWC / Manual selectable (1800°K ~ 10,500°K)			
Electronic Shutter Speed	Auto / Manual selectable (1/60 ~ 1/120,000)		Auto / Manual selectable (1/50 ~ 1/120,000)	
Sens-up	Auto / Off selectable (2X ~ 128X)			
OSD	Built-in			
Motion Detection	On / Off selectable (4 Programmable zone, Screen display)			
Mirror	On / Off selectable (Horizontal image inversion)			
Privacy Function	On / Off selectable (4 Programmable zone)			
Communication	RS-232C			
Zoom Ratio	Fixed : f3.7mm	Fixed : f8.0mm	Fixed : f3.7mm	Fixed : f8.0mm
Monitoring Angle	Panning : Manual 0° ~ 340° / Tilting : Manual 30° ~ 90°			
Operating Temperature	-10°C ~ +50°C			
Operating Humidity	30% ~ 90% RH			
Dimension	108(ϕ) x 80(H)mm			
Weight	210g			

Dimensions

Unit : mm



The Eco mark represents Samsung Techwin's will to create environment-friendly products, and indicates that the product satisfies the EU RoHS Directive.

Design and specifications are subject to change without notice.



SAMSUNG TECHWIN CO., LTD.
 145-3, Sangdaewon 1-dong, Jungwon-gu,
 Seongnam-si, Gyeonggi-do Korea 462-703
 Tel : +82-31-740-8137-8139 Fax : +82-31-740-8145
 www.samsung.ctv.com

SAMSUNG OPTO-ELECTRONICS UK, LTD.
 Samsung House, 1000 Hillswood Drive,
 Hillswood Business Park Chertsey, Surrey KT16 0PS
 Tel : +44-1932-45-5308 Fax : +44-1932-45-5325

TIANJIN SAMSUNG OPTO-ELECTRONICS CO., LTD.
 7 Pingchang Rd., Nankai Dist. Tianjin 300190, P.R. China
 Tel : +86-22-2761-4724(33821) Fax : +86-22-2761-6514

DISTRIBUTED BY



I.D-0607