

# 12x PTZ dome camera series



## 12x WDR PTZ Dome Camera series

# SCP-3120/3120V/3120VH

The SCP-3120/3120V/3120VH PTZ dome cameras feature 12x optical zoom, clear color images at 600TV lines resolution. With high-speed pan and tilt operations at 650° per second, these cameras capture broad areas quickly.

Especially, with SCP-3120V/3120VH's vandal-resistant body, these offer unparalleled durability and exceptional anti-shock protection. In addition, these models include a WDR, VPS, Coaxial control and intelligent video analytics function for vivid images and user convenience.

- High resolution of 600TV lines, low light illumination of 0.7Lux
- High-speed pan&tilt at 650°/sec
- VPS, WDR, coaxial control
- Intelligent video analytics (moved/fixed)
- Two types of installation, flush or surface mount (SCP-3120)
- Integrated housing (SCP-3120VH)

# 12x WDR PTZ Dome Camera series

# SCP-3120/3120V/3120VH



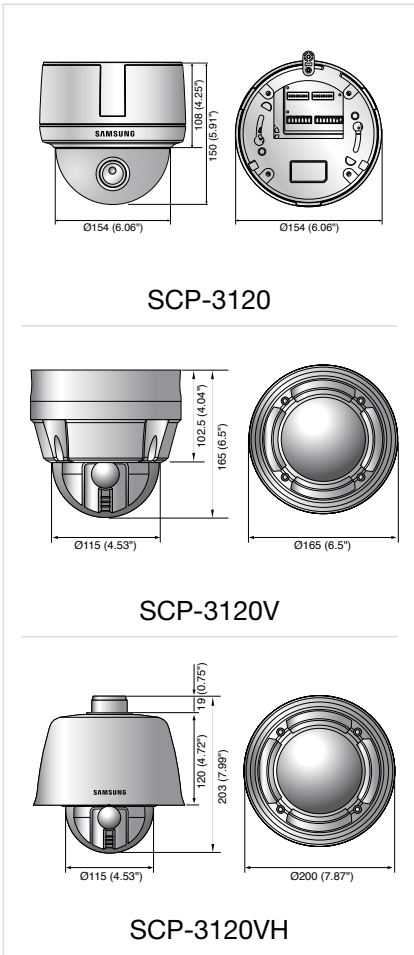
## Specifications

	SCP-3120N/3120VN/3120VHN	SCP-3120P/3120VP/3120VHP
<b>ELECTRICAL</b>		
Input Voltage	24V AC	
Power Consumption	SCP-3120 : Max. 12W, SCP-3120V/3120VH : Max. 45W	
<b>VIDEO</b>		
Imaging Device	1/4" Ex-view HAD PS CCD	
Total Pixels	811(H) x 508(V)	795(H) x 596(V)
Effective Pixels	768(H) x 494(V)	752(H) x 582(V)
Scanning System	2 : 1 Interlace	
Synchronization	Internal / Line lock	
Frequency	H : 15.734KHz / V : 59.94Hz	H : 15.625KHz / V : 50Hz
Horizontal Resolution	Color : 600TV lines (Min.) / B/W : 700TV lines (Min.)	
Min. Illumination	Color : 0.7Lux (50 IRE@F1.67), 0.001Lux (Sens-up, 512x) B/W : 0.03Lux (50 IRE@F1.67)	
S / N (Y signal)	52dB	
Video Output	VBS : 1.0 Vp-p / 75Ω composite	
<b>LENS</b>		
Zoom Ratio	12x (Optical), 16x (Digital)	
Focal Length	3.6 ~ 44.3mm (F1.67 ~ 2.0)	
Max. Aperture Ratio	1 : 1.67(Wide) ~ 3.7(Tele)	
Min. Object Distance	0.2m(Wide), 0.8m(Tele)	
Angular Field of View	H : 54.44°(Wide) ~ 4.62°(Tele) / V : 42.32°(Wide) ~ 3.58°(Tele)	
Focus	Auto / Manual / One shot	
Lens Drive Type	DC Auto Iris	
Lens Mount	Board-in type	
<b>PAN / TILT</b>		
Pan Range	360° Endless	
Pan Speed	Preset : 650°/sec / Manual : 0.05°/sec ~ 120°/sec (Proportional zoom ratio), Turbo 200°/sec	
Tilt Range	-5° ~ 185°	
Tilt Speed	Preset : 650°/sec / Manual : 0.05°/sec ~ 120°/sec (Proportional zoom ratio)	
Preset Positions	255	
<b>OPERATIONAL</b>		
On Screen Display	English, Chinese, Spanish, French, German, Italian, Portuguese, Korean	
Camera Title	On / Off (Max. 12 Character)	
Day & Night	Auto (ICR) / Color / B/W	
Motion Detection	Off / Detection / Tracking	
Wide Dynamic Range	128x	160x
Digital Noise Reduction	Low / Medium / High / Off	
Backlight Compensation	BLC / WDR / Off	
eXtended Dynamic Range	Low / Medium / High / Off	
VPS (Virtual Progressive Scan)	On / Off	
Digital Image Stabilization	On / Off	
Privacy Masking	On / Off (12 polygonal programmable zones)	
Sens-up (Frame Integration)	On / Off (Selectable limit ~ 512x)	
White Balance	ATW (In) / ATW (Out) / AWC / Manual	
Electronic Shutter Speed	1/60~1/10Ksec	1/50~1/10Ksec
Digital Zoom	On / Off (2x ~ 16x)	
AGC	Off / Low / Medium / High / Manual (AGC Level 1 ~ 16)	
Schedule	Day / Time schedule	
Communication	RS-485, Coaxial control	
Protocol	Samsung-T, Samsung-E, Vicon, Pelco-D, Pelco-P, Pelco Coaxitron, Panasonic, Honeywell, AD, Bosch, GE	
Alarm	2 In, 2 Out	
<b>ENVIRONMENTAL</b>		
Operating Temperature / Humidity	SCP-3120 : -10°C ~ +50°C (+14°F ~ +122°F) SCP-3120V/3120VH : -50°C ~ +50°C (-58°F ~ +122°F) / Less than 90% RH	
<b>MECHANICAL</b>		
Dimension (WxHxD)	SCP-3120 : Ø154 x 150mm (Ø6.06" x 5.91") SCP-3120V : Ø165 x 165mm (Ø6.5" x 6.5") SCP-3120VH : Ø200 x 203mm (Ø7.87" x 7.99")	
Weight	SCP-3120 : 1Kg (2.2 lb), SCP-3120V : 1.8Kg (3.97 lb), SCP-3120VH : 2.4Kg (5.29 lb)	
Certifications	FCC (Class A), UL/cUL listed	CE (Class A), UL/cUL listed



## Dimensions

Unit : mm (inch)



The Eco mark represents Samsung Techwin's will to create environment-friendly products, and indicates that the product satisfies the EU RoHS Directive.

Design and specifications are subject to change without notice.



### SAMSUNG TECHWIN CO., LTD.

701, Sampyeong-dong, Bundang-gu, Seongnam-si, Gyeonggi-do Korea 463-400  
Tel : +82-70-7147-8741~8749, 8752~8760 Fax : +82-31-8018-3745  
www.samsungsecurity.com www.samsungcctv.com

SAMSUNG TECHWIN AMERICA Inc.  
1480 Charles Willard St. Carson, CA 90746, UNITED STATES  
Tel Free : +1-877-213-1222 Fax : +1-310-632-2195  
www.samsungcctvusa.com

SAMSUNG TECHWIN EUROPE LTD.  
Samsung House, 1000 Hillwood Drive, Hillwood Business Park  
Chertsey, Surrey, UNITED KINGDOM KT16 0PS  
Tel : +44-1932-45-5300 Fax : +44-1932-45-5325

TIANJIN SAMSUNG TECHWIN OPTO-ELECTRONICS CO., LTD.  
No.11 Wei 6 Street, Micro-Electronic Industrial Park  
Jingang Road, Tianjin, P.R. CHINA 300385  
Tel : +86-22-23887788 Fax : +86-22-23887788

■ DISTRIBUTED BY

