



Instant Capture

12x Optical Zoom
0.2Lux Ultra-Low Light Sensitivity



SCP-2120

12x High Resolution PTZ Dome Camera

- 12x optical zoom (3.9 ~ 46mm), 0.2Lux ultra-low light sensitivity
- Features samsung's W-V DSP chipset
- 1/4" 600TV lines high resolution & coax communication
- 360° continuous rotation, high-speed pan & tilt at 650°/sec



12x High Resolution PTZ Dome Camera | SCP-2120

Captured Before You Know It

650° Per Second High-Speed Pan & Tilt for Fast, Accurate Monitoring

SCP-2120

SAMSUNG

650°/sec

650°/sec High-Speed Pan & Tilt



With high-speed pan and tilt operations at 650° per second, the SCP-2120 captures broad areas quickly and accurately.

Why Choose the SCP-2120



12x Optical Zoom



Equipped with a 12x auto-focus zoom (3.9 ~ 46mm) and a 16x digital zoom, the SCP-2120 achieves a maximum of 192x combined zoom for fast and accurate monitoring.



Normal



Optical 12x Zoom

600TV Lines High Resolution



Samsung's proprietary W-V chipset allows this camera to capture 600TV lines resolution color images or 700TV lines resolution B/W images with superior clarity.



Conventional Camera

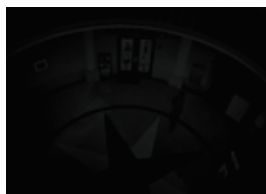


SCP-2120

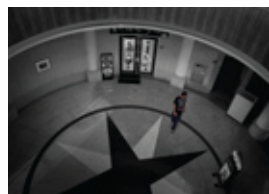
0.2Lux Ultra-Low Light Levels



With ultra-low light levels of 0.2Lux, the SCP-2120 clearly captures objects in very dark conditions down to 0.2Lux.



Conventional Camera



SCP-2120

Discreet Design



Encased in a flush-type chassis and colored simple white, the SCP-2120 can be ceiling-mounted to perfectly blend in with any interior design for discreet monitoring.



255 Presets

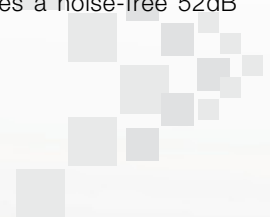


The SCP-2120 is capable of storing up to 255 preset positions.

COAX Communications System & SSNR III



The camera OSD can be accessed remotely via coaxial control, while Samsung's super noise reduction technology (SSNR III) achieves a noise-free 52dB S/N ratio.



12x High Resolution PTZ Dome Camera

SCP-2120

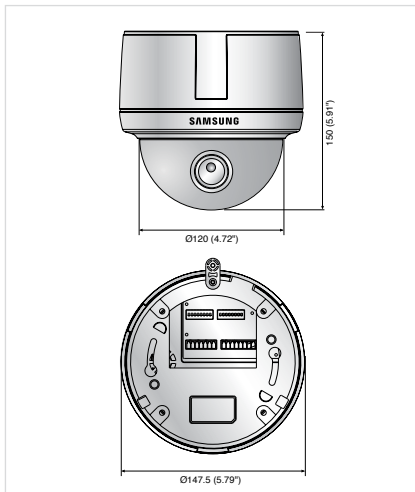


Specifications

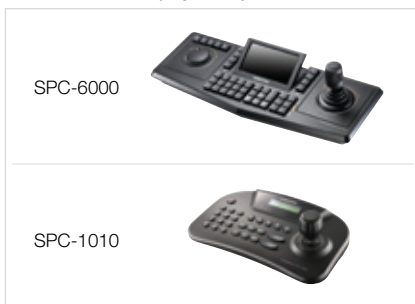
	SCP-2120N (NTSC)	SCP-2120P (PAL)
ELECTRICAL		
Input Voltage	24V AC ±10%	
Power Consumption	Max. 12W	
VIDEO		
Imaging Device	1/4" Super HAD CCD	
Total Pixels	811(H) x 508(V)	795(H) x 596(V)
Effective Pixels	768(H) x 494(V)	752(H) x 582(V)
Scanning System	2 : 1 Interlace	
Synchronization	Internal / AC line lock	
Frequency	H : 15.734KHz / V : 59.94Hz	H : 15.625KHz / V : 50Hz
Horizontal Resolution	Color : 600TV lines (Min.) / B/W : 700TV lines (Min.)	
Min. Illumination	Color : 0.2Lux (50 IRE@F1.67), 0.0004Lux (Sens-up, 512X) / B/W : 0.004Lux (50 IRE@F1.67)	
S / N (Y signal)	52dB	
Video Output	CVBS : 1.0Vp-p / 75	
LENS		
Zoom Ratio	12x (Optical), 16x (Digital)	
Focal Length	3.9 ~ 46mm (F1.67 ~ 1.88)	
Max. Aperture Ratio	1 : 1.67(Wide) ~ 1.88(Tele)	
Min. Object Distance	1.8m (5.91ft)	
Angular Field of View	H : 25.77°(Wide) ~ 2.55°(Tele) / V : 19.64°(Wide) ~ 1.69°(Tele)	
Focus	Auto / Manual / One-push	
Zoom Movement Speed	1.9sec	
Iris Control	Auto / Manual	
PAN / TILT		
Pan Range	360° Endless	
Pan Speed	Preset : 650°/sec / Manual : 0.024°/sec ~ 120°/sec (Proportional zoom ratio)	
Tilt Range	-5° ~ 185°	
Tilt Speed	Preset : 650°/sec / Manual : 0.024°/sec ~ 120°/sec (Proportional zoom ratio)	
Preset Positions	255	
Preset Accuracy	±0.1°	
PTZ Mode	Preset, Swing, Group, Tour	
OPERATIONAL		
On Screen Display	Korean, English, Japanese, Spanish, French, Portuguese, Taiwanese	English, French, German, Spanish, Italian, Chinese, Russian, Polish, Czech, Romanian, Serbian, Swedish, Danish, Turkish, Portuguese
Camera Title	On / Off (Displayed 15 characters)	
Day & Night	Auto (ICR) / Color / B/W	
SSDR	On / Off (Level adjustable)	
Backlight Compensation	BLC / HLC / Off	
Motion Detection	On / Off (8 Programmable zones)	
Digital Image Stabilization	On / Off	
Privacy Masking	On / Off (12 Programmable zones)	
2D+3D Noise Filter (SSNR III)	On / Off (Level adjustable)	
Sens-up (Frame Integration)	Auto / Off (Selectable 2x ~ 512x)	
Gain Control	Low / High / Off	
White Balance	AWC / Manual / Indoor / Outdoor / ATW (1,700°K ~ 11,000°K)	
Electronic Shutter Speed	Auto (NTSC : 1/60 ~ 1/120,000sec, PAL : 1/50 ~ 1/120,000) / Manual / A.FLK	
Communication	RS-485/422, Coaxial control	
Protocol	Samsung Techwin, Pelco-D, Pelco-P, Pelco Coaxitron, Panasonic, Honeywell, AD, Vicon, BOSCH, GE	
Alarm	2 In, 2 Out	
Auto Digital Flip	On / Off	
ENVIRONMENTAL		
Operating Temperature / Humidity	-10°C ~ +50°C (+14°F ~ +122°F) / 20% ~ 80% RH	
Storage Temperature / Humidity	-20°C ~ +60°C (-4°F ~ +140°F) / 20% ~ 95% RH	
MECHANICAL		
Dimension (WxH)	Ø147.5 x 150mm (Ø5.79" x 5.91")	
Weight	1.065Kg (2.35 lb)	
Certifications	FCC (Class A), UL/cUL listed	CE (Class A), UL/cUL listed

Dimensions

Unit : mm (inch)



Controller (Option)



The Eco mark represents Samsung Techwin's will to create environment-friendly products, and indicates that the product satisfies the EU RoHS Directive.

Design and specifications are subject to change without notice.



SAMSUNG TECHWIN CO., LTD.

145-3, Sangdaewon 1-dong, Jungwon-gu, Seongnam-si, Gyeonggi-do Korea 462-703
Tel : +82-31-740-8151-8 Fax : +82-31-740-8145
www.samsungcctv.com www.samsungsecurity.com

SAMSUNG TECHWIN AMERICA Inc.
1480 Charles Willard St, Carson, CA 90746, UNITED STATES
Tel Free : +1-877-213-1222 Fax : +1-310-632-2195
www.samsungcctvusa.com

SAMSUNG TECHWIN EUROPE LTD.
Samsung House, 1000 Hillwood Drive, Hillwood Business Park
Chertsey, Surrey, UNITED KINGDOM KT16 0PS
Tel : +44-1932-45-5300 Fax : +44-1932-45-5325

TIANJIN SAMSUNG TECHWIN OPTO-ELECTRONICS CO., LTD.
No.11 Wei 6 Street, Micro-Electronic Industrial Park
Jingang Road, Tianjin, P.R. CHINA 300385
Tel : +86-22-23887788 Fax : +86-22-23887788

■ DISTRIBUTED BY

