

10x Zoom Mini SmartDome Camera

SCC-C6323/C6325

SCC-C7325

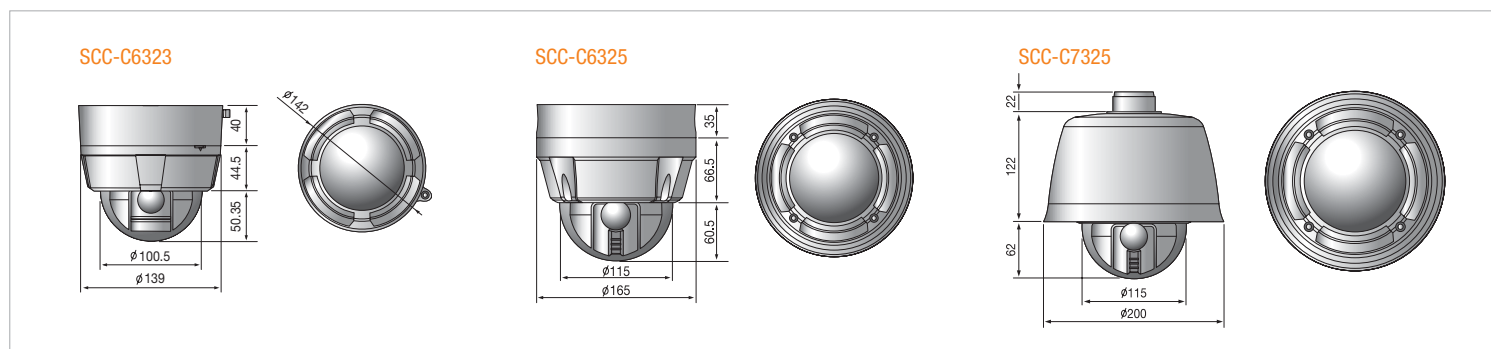
NEW



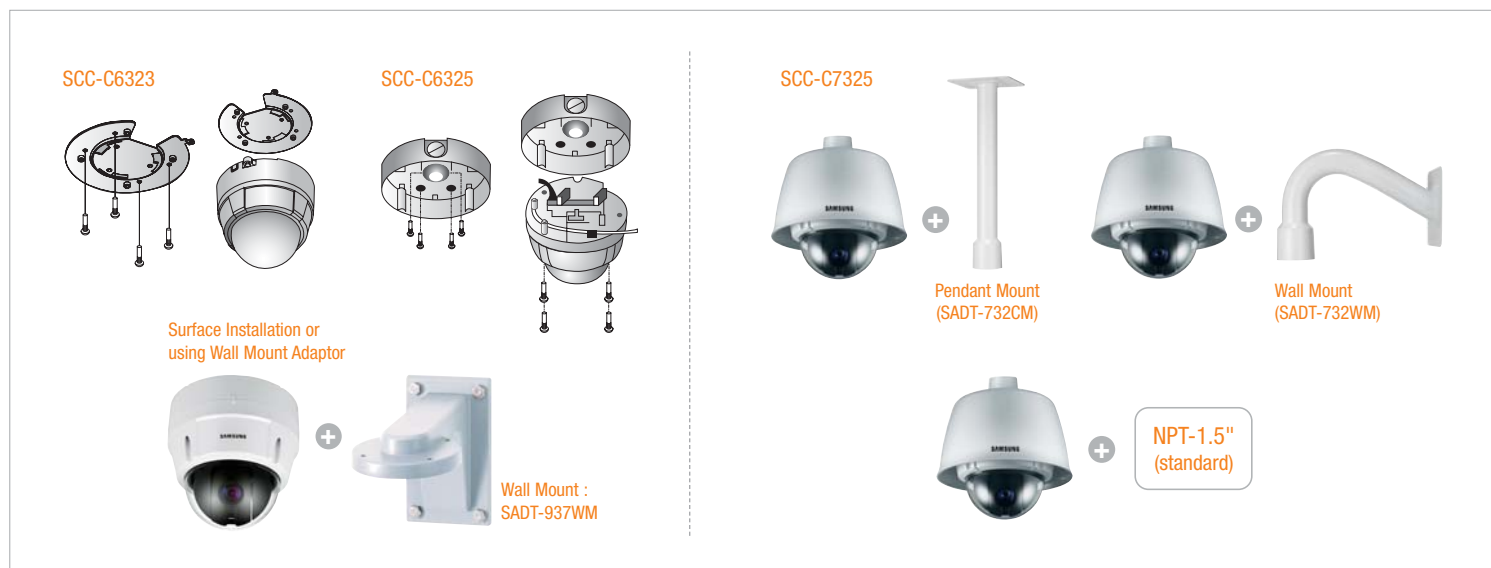
Features

- 1/4" 410K/470K Pixels Super-HAD IT CCD
- 10x(f=3.8~38 mm) Optical Zoom Lens (10x D-Zoom)
- High-Resolution : 520(Color)/570(BW) TV Lines
- Min. illumination(15IRE, Sens-up 128x) : 0.0014 Lux(Color), : 0.00014 Lux(B/W)
- Day & Night function (Moving Filter)
- Full Auto Focus function
- Privacy Mask Zone (4 Area)
- 360° Endless PAN (Slip-ring), 0~180° Tilt (SCC-C6323:0~90°)
- PAN Speed (Max 360°/sec), Tilt Speed (360°/sec)
- Multi-Protocol support
- Remote Control : RS485
- Time & Day Scheduling function
- Vector Driving (Panning/Tilting operation simultaneously)
- SCC-C6323 : Plastic case, Indoor, 142(Ø) x126(H)mm
- SCC-C6325 : Anti-Vandal, IP-66, 165(Ø) x162(H)mm
- SCC-C7325 : Anti-Vandal, IP-66, Sunshield, F/H, 200(Ø) x 206(H)mm
- AC24V/DC12V

Dimensions (unit:mm)



Easy Installation



* SCC-C6325 IP66 Rating Indoor/Outdoor Application, SCC-C7325 IP66 Rating Outdoor Application

Specifications

Model	SCC-C6323	SCC-C6325	SCC-C7325	
Camera Type	Color/BW			
Image	Color			
Image	Device	1/4" Super-HAD IT CCD		
	Pixels	Effective	NTSC : 768 x 494, PAL : 752 x 582	
Scanning	System		Interlace	
	Horizontal Frequency	Internal Mode	NTSC : 15,734Hz, PAL : 15,625Hz	
	Vertical Frequency	Internal Mode	NTSC : 59.94Hz, PAL : 50Hz	
Min. Scene Illumination	Sens-up Off	Color	0.60Lux(50IRE), 0.36Lux(30IRE), 0.18Lux(15IRE)	
		B/W	0.06Lux(50IRE), 0.036Lux(30IRE), 0.018Lux(15IRE)	
	Sens-up 128x	Color	0.0047Lux(50IRE), 0.0028Lux(30IRE), 0.0014Lux(15IRE)	
		B/W	0.00047Lux(50IRE), 0.00028Lux(30IRE), 0.00014Lux(15IRE)	
PAN/TILT	Speed	Manual Pan	0.05°/sec ~ 360°/sec	
		Preset Pan	360°/sec	
		Manual Tilt	0.05°/sec ~ 360°/sec	
		Preset Tilt	360°/sec	
	Range	Panning	0°~360° (Endless)	
		Tilting	90°	180°
Number of Auto PAN		8		
Number of Preset		127		
Number of Pattern		4		
Functions	Number of Privacy Zone		4	
	Day/Night		Auto / Day / Night (IR Cut Filter)	
	D-Zoom		Yes (~10x)	
	High Speed Shutter		NTSC : Yes (1/60~ 1/120,000 sec), PAL : Yes (1/50 ~ 1/120,000 sec)	
	Sens Up		OFF/AUTO	
	BLC		LOW/MIDDLE/HIGH/OFF	
	AGC		NORMAL/HIGH/OFF	
	Anti Vandal	No	Yes	Yes
	Camera ID		dip switch adjustable	
	White Balance		Auto/Manual (Red,Blue Gain Adj.)	
Resolution	Horizontal		Color : 520TV Lines / BW : 570TV Lines	
Video Output	VBS 1.0Vp-p			
S/N Ratio	50dB (AGC off)			
Lens	Focal Length / Zoom ratio		3.8mm ~ 38mm / 10x Optical, 10x D-Zoom	
	Aperture Ratio		F1.8(W) / F2.8(T)	
	Viewing Angle	Tele / Wide	5.58°(H) x 4.27°(V) / 51.2°(H) x 39.3°(V)	
	Lens Drive Type / Mount Type		DC Auto Iris / Board-in type	
OSD	Yes			
Alarm	Input / Output		2 / 1 (relay)	
Remote Control	RS485		RS-485	
Environmental Conditions	Operating Temperature		-10°C~+50°C -10°C~+50°C AC24V:-40°C~+50°C / DC12V:-15°C~+50°C	
	Operating Humidity		Less than 90%	
Power	Power Requirement		NTSC : DC12V / AC24V 60Hz, PAL : DC12V / AC24V 50Hz	
	Power Consumption		AC24V(10W) / DC12V(8W) AC24V : Heater Off(10W) / On(21W) / DC12V : Heater Off(8W) / On(12W)	
Physical Specification	Dimensions (WxHxD)		142(Ø) x 126(H)mm / 142(Ø) x 4.9(H)inch 165(Ø) x 162(H)mm / 165(Ø) x 6.3(H)inch 200(Ø) x 206(H)mm / 200(Ø) x 8.1(H)inch	
	Weight		600g (1.3 lb) 1,850g (4.0lb) 2,400g (5.2lb)	
	Color	Body		White