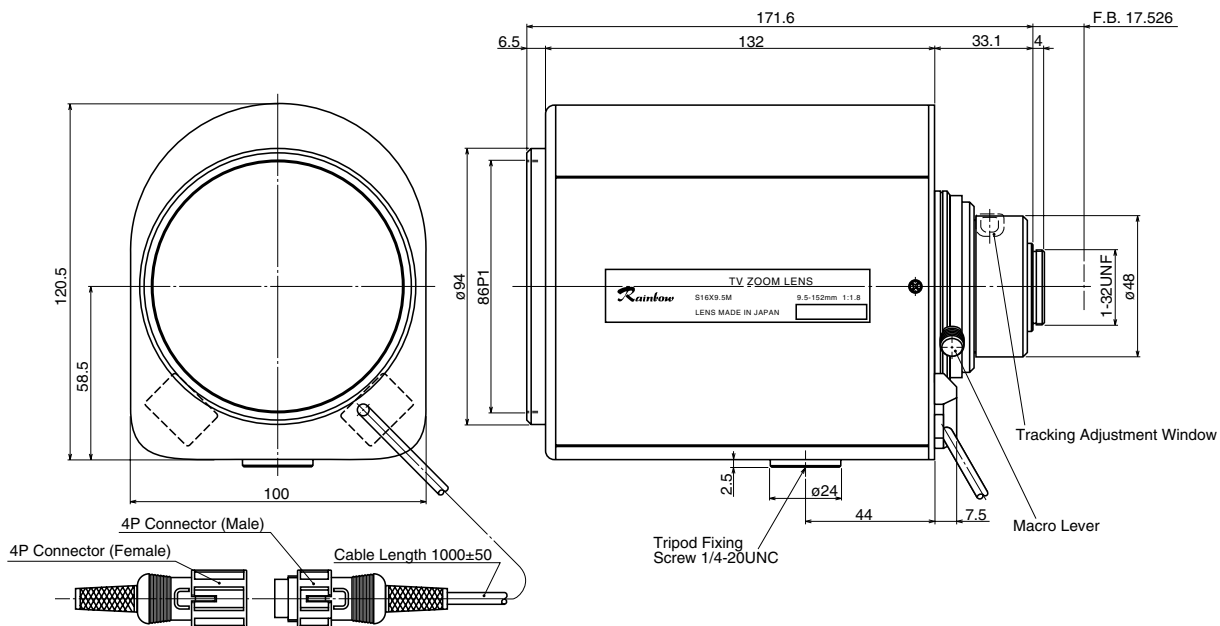


## S16X9.5M

9.5~152mm F1.4 – C-Mount  
Compatible with 2/3", 1/2" & 1/3" Cameras

**Focal Length:** 10~100mm  
**Max. Relative Aperture:** 1:1.8 at 9.5~110mm  
 1:2.3 at 152mm  
**Iris:** F1.4-Close  
**Zoom Ratio:** 10X  
**Angular Field of View:** 2/3": 49.7° × 38.3° at 9.5mm  
 3.3 × 2.5° at 152mm  
 1/2": 37.2° × 28.4° at 9.5mm  
 2.4° × 1.8° at 152mm  
 1/3": 28.4° × 21.5° at 9.5mm  
 1.8° × 1.4° at 152mm  
**Min. Object Distance (M.O.D.):** 1.0m (From Front Vertex)  
 22mm at macro  
**Optical Back Focal Distance:** 20.15mm (In Air)  
**Auto-Iris Input Signal:** Composite Video Signal or Video Signal

**Input Impedance:** High Impedance  
**Sensitivity Adjustment:** Image Signal Level 0.5~1.0Vp-p  
 With Input Video Signal 0.7Vp-p  
**Auto-Iris Accuracy:** Within ±15% of Mean value  
**Operation:** Zoom: Motorized (DC±4V~12V, Max 80mA)  
 Speed Approx. 9 sec. (at 6.4V)  
 Focus: Motorized (DC±4V~12V, Max 80mA)  
 Speed Approx. 17 sec. (at 6.4V)  
 Iris: Motorized (DC±4V~12V, Max 40mA)  
 Speed Approx. 3 sec. (at 6.4V)  
**Operation Temperature:** -10 ~ +50°C (+14 ~ 122° F)  
**Filter Size:** 86mm P1  
**Mount:** C-mount  
 (Adjustable Lens Postion)  
**Size, Approx. Weight:** 100 × 120.5 × 171.6mm (w/h/d), 1.5kg  
 (Approx. 4.0 × 4.7 × 6.8in., 3.3lb.)



### – Circuit Diagram –

