

B/W QUAD PROCESSOR INSTRUCTION MANUAL

Model: QPBB

This real time, high resolution B/W quad is particularly designed for multi-camera CCTV systems. The real time, high-resolution performance allows you to record all 4 cameras in quad view. The separate switching output allows you to view each camera in full screen, quad, and switching (the unit will switch from camera to camera in full screen at 4 second intervals).

Main Features

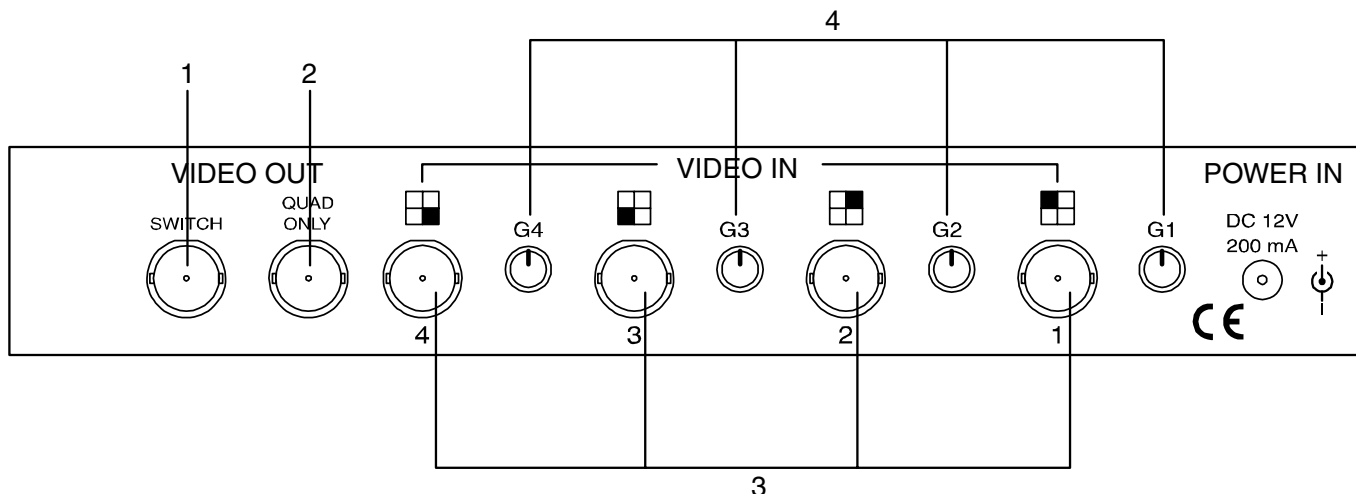
- Real time display
- High resolution
- Video gain adjustment for each camera
- Quad output (4 cameras on the screen at all times)
- Switching output (select each camera full screen or automatically cycle through each camera)
- Low power consumption

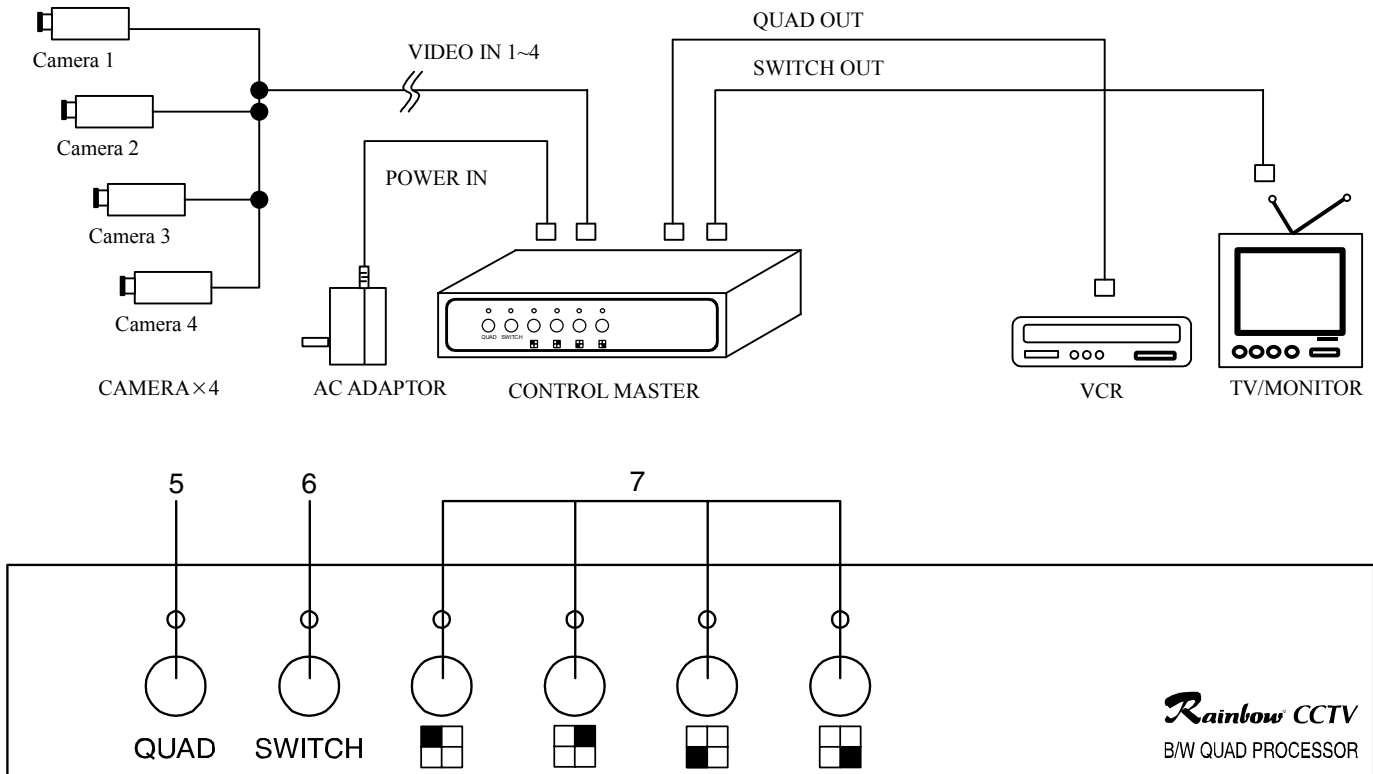
Cautions

- Keep away from moisture, fire, and vibration. To avoid the risk of electric shock, do not remove the cover of the unit.
- Keep the temperature between 14° and 122° F (-10° and 50°C), relative humidity less than 85%.
- Keep the unit ventilated. Don't put anything on the top of this processor. Do not expose it to extreme moisture.

Installation

1. Check that each camera is operating properly by connecting the video directly to the monitor.
2. Connect the coax video cable of each camera to the BNC inputs on the rear of the unit. (Item 3)
3. Connect the video outputs:
The output labeled SWITCH connects directly to the monitor to allow switching between the cameras and to display the quad view. (Item 1)
The output labeled QUAD ONLY (Item 2) normally connects to a VCR to record the quad image at all times regardless of what is shown on the monitor from the SWITCH output. (Item 1)
4. Adjust the gain of each camera if you find the image too dark or bright. (Item 4)





Front Panel

Item 5 – Quad Button: select to view all 4 cameras on one screen (quad view)

Item 6 – Switch Button: select to cycle (switch) through each camera at 4 second intervals

Item 7 – Full Screen Buttons: select to view each camera in full screen mode

The LED will indicate what mode the unit is in.

Specifications

Picture refresh rate	EIA : 30 Fields/Second, CCIR : 25 Fields/Second
Digital Memory	1024 X 512 for full screen
Horizontal Resolution	700 pixels minimum for full screen
Display	8 bits (256 level grayscale)
Video Format	EIA or CCIR - Monochrome video signal
Video Inputs	4 BNC connectors
	1 V p.p adjustable by "VR" 75 ohms
Video Outputs	
Quad Only	1 V p.p Quad video output 75 ohms
Switch Only	1 V p.p Full screen or Quad 75 ohms
Switching mode dwell time	4 seconds
Alarm	No
Power supply	12V DC
Power consumption	200mA/ 12 VDC
Operating Temperature	14°~114° F (-10~+50°C)
Dimensions (w/h/d)	8.6" × 1.7" × 8.0" / 218mm × 44mm × 204mm
Weight	3.1 lbs (1.4kg)
Case color	Ivory

Rainbow CCTV / International Space Optics, S.A.

2495 Da Vinci, Irvine, CA 92614 USA • Phone (800) 654-5367 (949) 260-1599 • Fax (800) 828-2031 (949) 260-1594

E-mail: rainbow@isorainbow.com • Internet: www.rainbowcctv.com