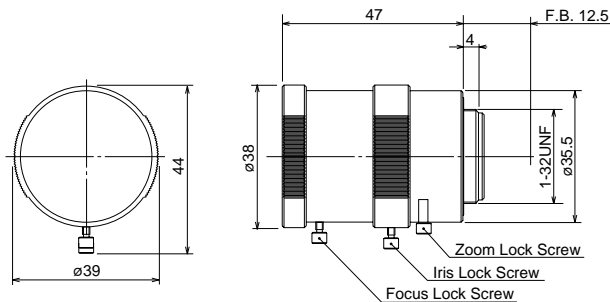


L308VCS – (Manual Iris)

3~8mm F1.4 – CS-Mount
Compatible with 1/3" & 1/4" Cameras

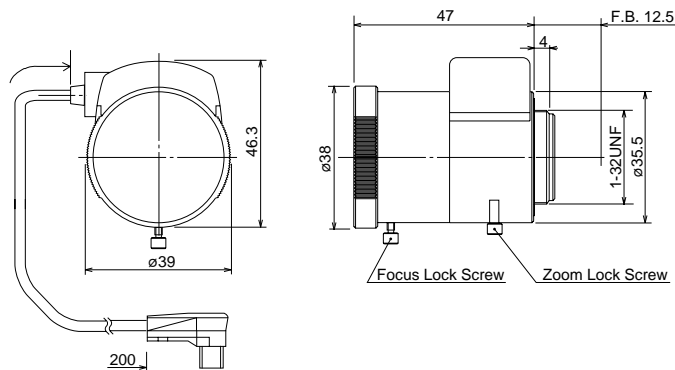
Focal Length:	3~8mm	
Max. Relative Aperture:	1:1.4	
Iris:	F1.4~Close	
Angular Field of View:	1/3": 92.9° × 68.4° at 3mm 35.7° × 26.8° at 8mm 1/4": 61.9° × 44.5° at 3mm 26.8° × 19.1° at 8mm	
Min. Object Distance (M.O.D.):	0.3m (From Front Vertex)	
Optical Back Focal Distance:	7.25~12.81mm (In Air)	
Operation:	Zoom:	Manual
	Focus:	Manual
	Iris:	Manual
Operation Temperature:	-10 ~ +50°C (+14 ~ 122° F)	
Filter Size:	None	
Size, Approx. Weight:	ø39 × 47mm, 45g (Approx. ø1.5 × 1.9in., 1.6oz.)	



L308VDC4P – (DC-type auto-iris with 4-pin)

3~8mm F1.4 – CS-Mount
Compatible with 1/3" & 1/4" Cameras

Focal Length:	3~8mm	
Max. Relative Aperture:	1:1.4	
Iris:	F1.4~Approx. F360 With ND Spot Filter	
Angular Field of View:	1/3": 92.9° × 68.4° at 3mm 35.7° × 26.8° at 8mm 1/4": 61.9° × 44.5° at 3mm 26.8° × 19.1° at 8mm	
Min. Object Distance (M.O.D.):	0.3m (From Front Vertex)	
Optical Back Focal Distance:	7.25~12.81mm (In Air)	
Operation:	Zoom:	Manual
	Focus:	Manual
	Iris:	IG (Auto-Close System)
Operation Voltage:	Close to Open: Less than 3V Open to Close: More than 0.5V	
Operation Temperature:	-10 ~ +50°C (+14 ~ 122° F)	
Filter Size:	None	
Mount:	CS-Mount (Adjustable Lens Postion)	
Size, Approx. Weight:	39 × 46.3 × 47mm (w/h/d), 65g (Approx. 1.5 × 1.8 × 1.9in., 2.3oz.)	



Camera Connector Wiring											
	<table border="1"> <thead> <tr> <th>Pin</th> <th>Signal</th> </tr> </thead> <tbody> <tr> <td>1</td> <td>Brake - *</td> </tr> <tr> <td>2</td> <td>Brake + *</td> </tr> <tr> <td>3</td> <td>Drive +</td> </tr> <tr> <td>4</td> <td>Drive -</td> </tr> </tbody> </table>	Pin	Signal	1	Brake - *	2	Brake + *	3	Drive +	4	Drive -
Pin	Signal										
1	Brake - *										
2	Brake + *										
3	Drive +										
4	Drive -										

* Also referred to as DAMP, CONTROL, or DUMP