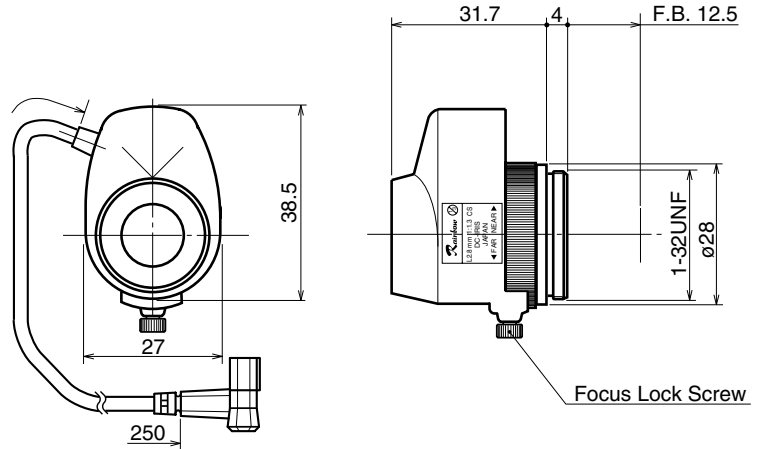


L28DC4P

2.8mm F1.3 – CS-Mount

Compatible with 1/3" & 1/4" Cameras

- Focal Length:** 2.8mm
- Max. Relative Aperture:** 1:1.3
- Iris:** F1.3~Approx. F360
With ND Spot Filter
- Angular Field of View:** 1/3": 92.0° × 71.7°
1/4": 68.2° × 51.5°
- Min. Object Distance (M.O.D.):** 0.1m (From Front Vertex)
- Optical Back Focal Distance:** 8.5mm (In Air)
- Operation:** Focus: Manual
Iris: IG (Auto-Close System)
- Operation Voltage:** Close to Open: Less than 3V
Open to Close: More than 0.5V
- Operation Temperature:** -10 ~ +50°C (+14 ~ 122° F)
- Filter Size:** None
- Mount:** CS-Mount
(Adjustable Lens Position)
- Size, Approx. Weight:** 27 × 38.5 × 31.7mm (w/h/d), 50g
(Approx. 1.1 × 1.5 × 1.2in., 1.8oz.)



Camera Connector Wiring

Pin	Signal
1	Brake – *
2	Brake + *
3	Drive +
4	Drive –

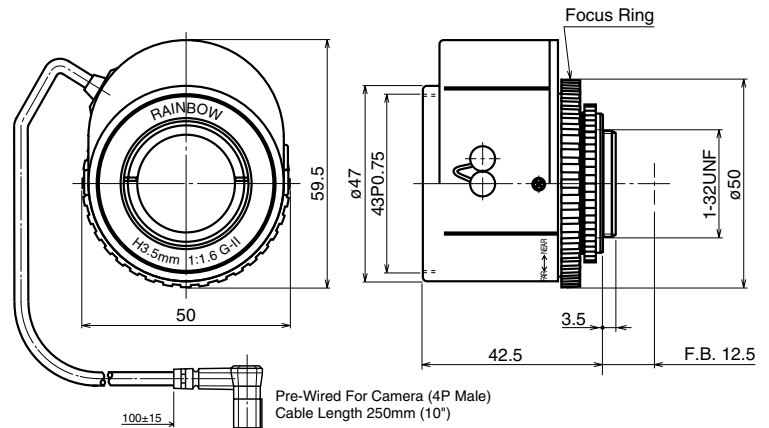
* Also referred to as DAMP, CONTROL, or DUMP

L35DC4P

3.5mm F1.6 – CS-Mount

Compatible with 1/3" & 1/4" Cameras

- Focal Length:** 3.5mm
- Max. Relative Aperture:** 1:1.6
- Iris:** F1.6~Approx. F360
With ND Spot Filter
- Angular Field of View:** 1/3": 68.9° × 54.4°
1/4": 54.4° × 42.2°
- Min. Object Distance (M.O.D.):** 0.1m (From Front Vertex)
- Optical Back Focal Distance:** 11.45mm (In Air)
- Operation:** Focus: Manual
Iris: IG (Auto-Close System)
- Operation Voltage:** Close to Open: Less than 3V
Open to Close: More than 0.5V
- Operation Temperature:** -10 ~ +50°C (+14 ~ 122° F)
- Filter Size:** 43mm P0.75
- Mount:** CS-Mount
(Adjustable Lens Position)
- Size, Approx. Weight:** 50 × 59.5 × 42.2mm (w/h/d), 85g
(Approx. 2.0 × 2.3 × 1.7in., 3.0oz.)



Camera Connector Wiring

Pin	Signal
1	Brake – *
2	Brake + *
3	Drive +
4	Drive –

* Also referred to as DAMP, CONTROL, or DUMP