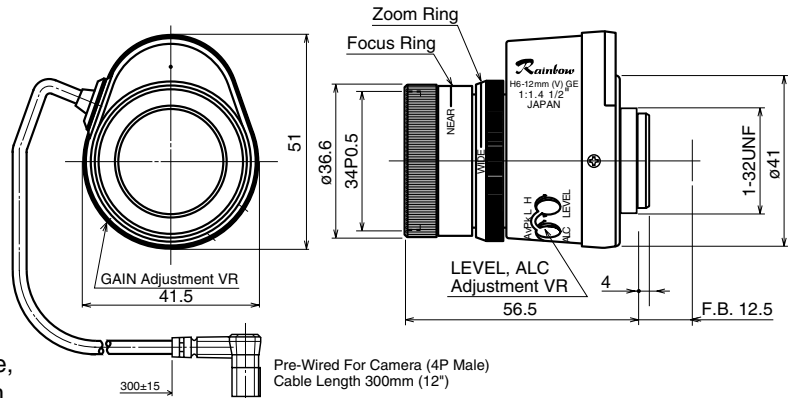


H612VGECS

6~12mm F1.4 – CS-Mount

Compatible with 1/2", 1/3", & 1/4" Cameras
Cable Assembly Required – Sold Separately

Focal Length: 6~12mm
Max. Relative Aperture: 1:1.4
Iris: F1.4~Approx. F88
 With ND Spot Filter
Angular Field of View:
 1/2": 56.1° × 43.6° at 6mm
 29.9° × 22.6° at 12mm
 1/3": 43.6° × 33.4° at 6mm
 22.6° × 17.1° at 12mm
 1/4": 33.4° × 25.4° at 6mm
 17.1° × 12.8° at 12mm
Min. Object Distance (M.O.D.): 0.25m (From Front Vertex)
Optical Back Focal Distance: 11.0mm (In Air)
Operation: Zoom: Manual Focus: Manual
 Iris: Auto (DC+8~16V: Fixed Voltage, Max. 40mA) Auto-Close System Speed Within 4 sec.
Auto-Iris Accuracy: With Input Video Signal 0.7Vp-p Within ±10% of Mean Value
Auto-Iris Input Signal: Composite Video Signal or Video Signal
Input Impedance: High Impedance
Sensitivity Adjustment: Image Signal Level 0.5~1.5Vp-p
Operation Temperature: -10 ~ +50°C (+14 ~ 122° F)
Filter Size (Front Thread): 34mm P0.5
Mount: CS-Mount (Adjustable Lens Position)
Size, Approx. Weight: 41.5 × 51 × 56.5mm (w/h/d), 70g (Approx. 1.6 × 2.0 × 2.0in., 2.2oz.)



Camera Connector Wiring		Pin		Signal	
1	3	1	+8-16VDC	2	N.C.
2	4	3	Video	4	Ground

VIDEO TYPE LENS

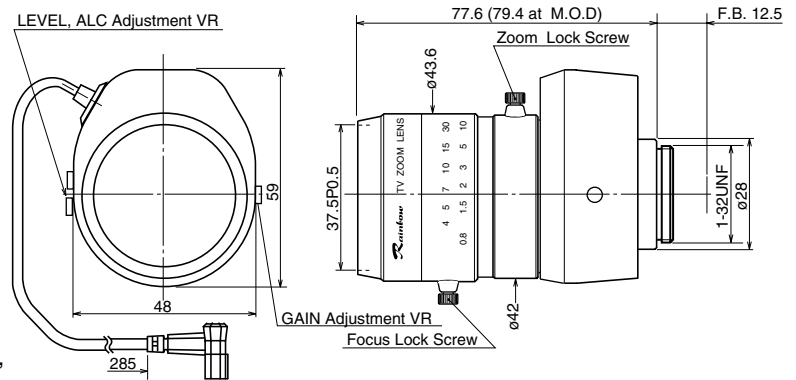
For cameras with standard wiring for Video type lenses (Rainbow, Panasonic, Sanyo, Sony, etc.)
 Note: Some brands (incl. Everfocus, Javelin, Watec) use the same 4-pin connector with non-standard wiring. **To avoid camera damage, compare wiring instructions in camera box to this diagram.**

L851VGECS

8.5~51mm F1.6 – CS-Mount

Compatible with 1/2", 1/3", & 1/4" Cameras
Cable Assembly Required – Sold Separately

Focal Length: 8.5~51mm
Max. Relative Aperture: 1:1.6
Iris: F1.6~Approx. F360
 With ND Spot Filter
Angular Field of View:
 1/2": 41.3° × 31.5° at 8.5mm
 7.2° × 5.4° at 51mm
 1/3": 31.5° × 23.9° at 8.5mm
 5.4° × 4.0° at 51mm
 1/4": 23.9° × 18.0° at 8.5mm
 4.0° × 3.0° at 51mm
Min. Object Distance (M.O.D.): 0.8m (From Front Vertex)
Optical Back Focal Distance: 15.89mm (In Air)
Operation: Zoom: Manual Focus: Manual
 Iris: Auto (DC+8~16V: Fixed Voltage, Max. 40mA) Auto-Close System Speed Within 4 sec.
Auto-Iris Accuracy: With Input Video Signal 0.7Vp-p Within ±10% of Mean Value
Auto-Iris Input Signal: Composite Video Signal or Video Signal
Input Impedance: High Impedance
Sensitivity Adjustment: Image Signal Level 0.5~1.5Vp-p
Operation Temperature: -10 ~ +50°C (+14 ~ 122° F)
Filter Size: 37.5mm P0.5
Mount: CS-Mount (Adjustable Lens Position)
Size, Approx. Weight: 48 × 59 × 79.4mm (w/h/d) 140g (Approx. 1.9 × 2.3 × 3.1in., 5.5oz.)



Camera Connector Wiring		Pin		Signal	
1	3	1	+8-16VDC	2	N.C.
2	4	3	Video	4	Ground

VIDEO TYPE LENS

For cameras with standard wiring for Video type lenses (Rainbow, Panasonic, Sanyo, Sony, etc.)
 Note: Some brands (incl. Everfocus, Javelin, Watec) use the same 4-pin connector with non-standard wiring. **To avoid camera damage, compare wiring instructions in camera box to this diagram.**