

G25E

25mm F1.4 – C-Mount

Compatible with 1", 2/3", 1/2", 1/3" & 1/4" Cameras

Focal Length: 25mm
Max. Relative Aperture: 1:1.4
Iris: F1.4~Approx. F360
 With ND Spot Filter

Angular Field of View:
 1": 28.7° × 21.7°
 2/3": 20.0° × 15.0°
 1/2": 14.6° × 11.0°
 1/3": 11.0° × 8.2°
 1/4": 8.2° × 6.2°

Min. Object Distance (M.O.D.): 0.5m (From Front Vertex)

Optical Back Focal Distance: 14.32mm (In Air)

Operation: Focus: Manual
 Iris: Auto (DC+8~16V: Fixed Voltage, Max. 40mA) Auto-Close System Speed Within 4 sec.

Auto-Iris Accuracy: With Input Video Signal 0.7Vp-p Within ±10% of Mean Value

Auto-Iris Input Signal: Composite Video Signal or Video Signal

Input Impedance: High Impedance

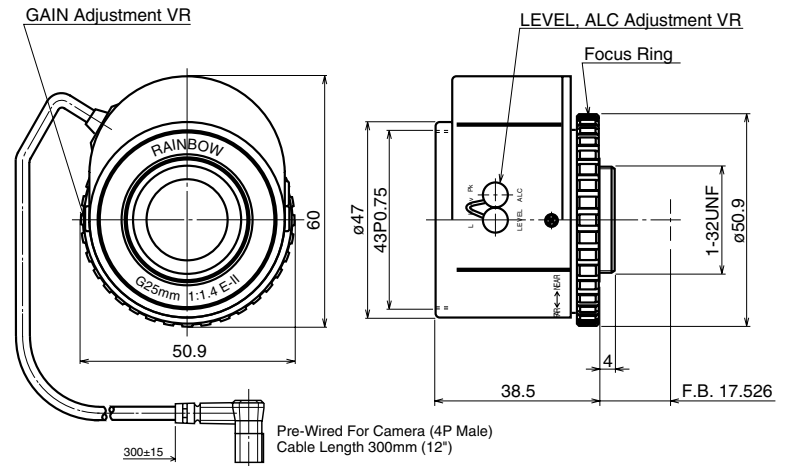
Sensitivity Adjustment: Image Signal Level 0.5~1.5Vp-p

Operation Temperature: -10 ~ +50°C (+14 ~ 122° F)

Filter Size: 43mm P0.75

Mount: C-Mount, (Adjustable Lens Postion)

Size, Approx. Weight: 50.9 × 60 × 38.5mm (w/h/d), 90g (Approx. 2.0 × 2.4 × 1.5in., 3.2 oz.)



Camera Connector Wiring											
	<table border="1"> <thead> <tr> <th>Pin</th> <th>Signal</th> </tr> </thead> <tbody> <tr> <td>1</td> <td>+8-16VDC</td> </tr> <tr> <td>2</td> <td>N.C.</td> </tr> <tr> <td>3</td> <td>Video</td> </tr> <tr> <td>4</td> <td>Ground</td> </tr> </tbody> </table>	Pin	Signal	1	+8-16VDC	2	N.C.	3	Video	4	Ground
Pin	Signal										
1	+8-16VDC										
2	N.C.										
3	Video										
4	Ground										

VIDEO TYPE LENS

For cameras with standard wiring for Video type lenses (Rainbow, Panasonic, Sanyo, Sony, etc.)

Note: Some brands (incl. Everfocus, Javelin, Watec) use the same 4-pin connector with non-standard wiring. **To avoid camera damage, compare wiring instructions in camera box to this diagram.**

G50E

50mm F1.8 – C-Mount

Compatible with 1", 2/3", 1/2", 1/3" & 1/4" Cameras

Focal Length: 50mm
Max. Relative Aperture: 1:1.8
Iris: F1.8~Approx. F360
 With ND Spot Filter

Angular Field of View:
 1": 14.5° × 10.9°
 2/3": 10.1° × 7.6°
 1/2": 7.3° × 5.5°
 1/3": 5.5° × 4.1°
 1/4": 4.1° × 3.1°

Min. Object Distance (M.O.D.): 0.7m (From Front Vertex)

Optical Back Focal Distance: 19.71mm (In Air)

Operation: Focus: Manual
 Iris: Auto (DC+8~16V: Fixed Voltage, Max. 40mA) Auto-Close System Speed Within 4 sec.

Auto-Iris Accuracy: With Input Video Signal 0.7Vp-p Within ±10% of Mean Value

Auto-Iris Input Signal: Composite Video Signal or Video Signal

Input Impedance: High Impedance

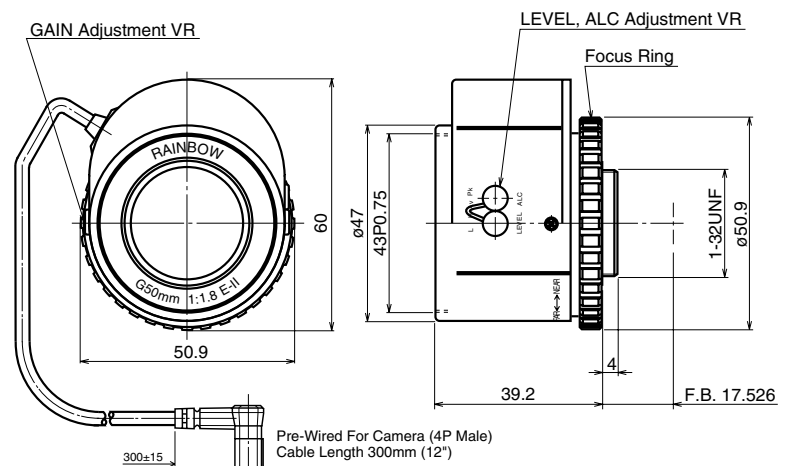
Sensitivity Adjustment: Image Signal Level 0.5~1.5Vp-p

Operation Temperature: -10 ~ +50°C (+14 ~ 122° F)

Filter Size: 43mm P0.75

Mount: CS-Mount, (Adjustable Lens Postion)

Size, Approx. Weight: 50.9 × 60 × 39.2mm (w/h/d), 140g (Approx. 2.0 × 2.4 × 1.5in., 4.9.)



Camera Connector Wiring											
	<table border="1"> <thead> <tr> <th>Pin</th> <th>Signal</th> </tr> </thead> <tbody> <tr> <td>1</td> <td>+8-16VDC</td> </tr> <tr> <td>2</td> <td>N.C.</td> </tr> <tr> <td>3</td> <td>Video</td> </tr> <tr> <td>4</td> <td>Ground</td> </tr> </tbody> </table>	Pin	Signal	1	+8-16VDC	2	N.C.	3	Video	4	Ground
Pin	Signal										
1	+8-16VDC										
2	N.C.										
3	Video										
4	Ground										

VIDEO TYPE LENS

For cameras with standard wiring for Video type lenses (Rainbow, Panasonic, Sanyo, Sony, etc.)

Note: Some brands (incl. Everfocus, Javelin, Watec) use the same 4-pin connector with non-standard wiring. **To avoid camera damage, compare wiring instructions in camera box to this diagram.**