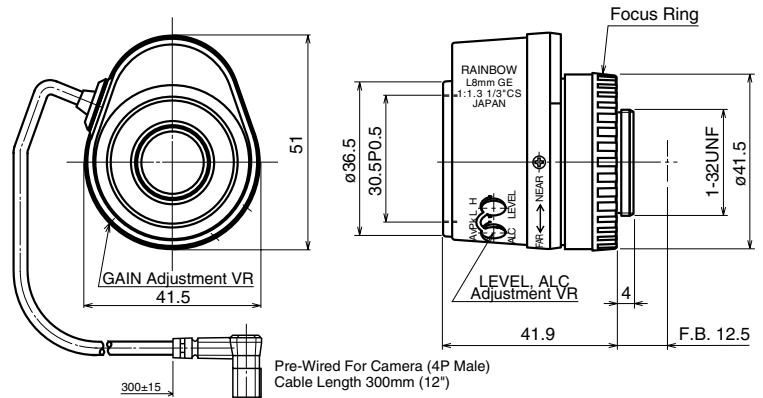


L8GECS

8mm F1.3 – CS-Mount

Compatible with 1/3" & 1/4" Cameras

- Focal Length:** 8mm
- Max. Relative Aperture:** 1:1.3
- Iris:** F1.3~Approx. F88
With ND Spot Filter
- Angular Field of View:** 1/3": 33.4° × 25.4°
1/4": 68.2° × 51.5°
- Min. Object Distance (M.O.D.):** 0.2m (From Front Vertex)
- Optical Back Focal Distance:** 8.5mm (In Air)
- Operation:** Focus: Manual
Iris: Auto (DC+8~16V: Fixed Voltage, Max. 40mA) Auto-Close System Speed Within 4 sec.
- Auto-Iris Accuracy:** With Input Video Signal 0.7Vp-p Within ±10% of Mean Value
- Auto-Iris Input Signal:** Composite Video Signal or Video Signal
- Input Impedance:** High Impedance
- Sensitivity Adjustment:** Image Signal Level 0.5~1.5Vp-p
- Operation Temperature:** -10 ~ +50°C (+14 ~ 122° F)
- Filter Size:** 30.5mm P0.5
- Mount:** CS-Mount (Adjustable Lens Postion)
- Size, Approx. Weight:** 41.5 × 51 × 35.5mm (w/h/d), 65g (Approx. 1.6 × 2.0 × 1.4in., 2.3 oz.)



Camera Connector Wiring		Pin	Signal
1	3		
		2	N.C.
		3	Video
		4	Ground

VIDEO TYPE LENS

For cameras with standard wiring for Video type lenses (Rainbow, Panasonic, Sanyo, Sony, etc.)

Note: Some brands (incl. Everfocus, Javelin, Watec) use the same 4-pin connector with non-standard wiring. **To avoid camera damage, compare wiring instructions in camera box to this diagram.**