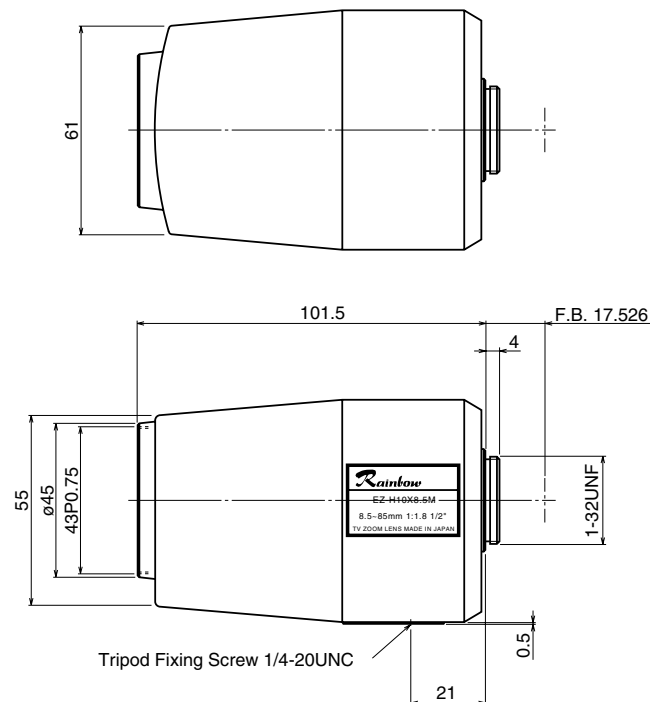
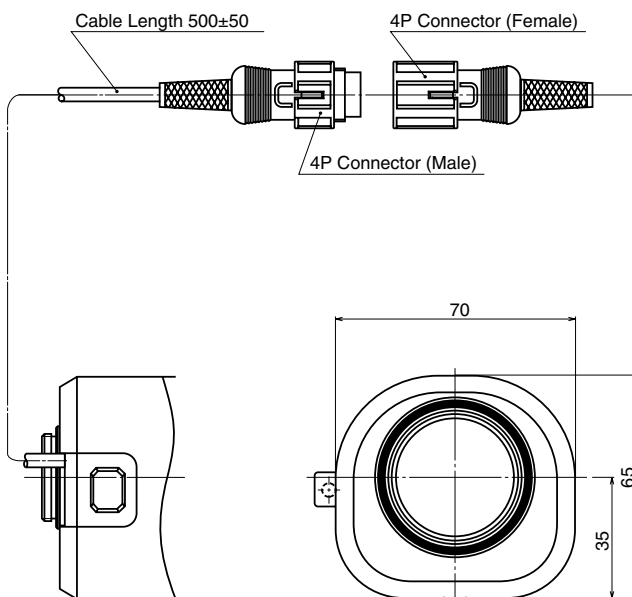


EZ-H10X8.5M

8.5~85mm F1.8 – C-Mount

Compatible with 1/2" & 1/3" Cameras

Focal Length:	8.5~85mm	Operation:	Zoom: Motorized (DC±4V~12V, Max 40mA) Speed Approx. 6.5 sec. (at 6.4V)
Max. Relative Aperture:	1:1.8		Focus: Motorized (DC±4V~12V, Max 40mA) Speed Approx. 6.5 sec. (at 6.4V)
Iris:	F1.8~Close		Iris: Motorized (DC±4V~12V, Max 40mA) Speed Approx. 3 sec. (at 6.4V)
Zoom Ratio:	10X	Operation Temperature:	-10 ~ +50°C (+14 ~ 122° F)
Angular Field of View:	1/2": 41.3° × 31.5° at 8mm 4.3° × 3.2° at 85mm 1/3": 33.4° × 25.4° at 8mm 3.4° × 2.6° at 80mm	Filter Size:	43mm P0.75
Min. Object Distance (M.O.D.):	1.2m (From Front Vertex)	Mount:	C-mount (Adjustable Lens Postion)
Optical Back Focal Distance:	15.56mm (In Air)	Size, Approx. Weight:	70 × 65 × 101.5mm (w/h/d), 275g (Approx. 2.8 × 2.6 × 4.0in., 9.7oz.)



– Circuit Diagram –

