

Gone are the days of dark, grainy nighttime pictures of standard color cameras. Rainbow's new line of Day/Night/IR cameras feature the high-performance Sony ExView CCD™ for outstanding pictures 24-hours a day. This CCD provides the following features: Color in bright light, high sensitivity B&W in low light, enhanced-IR performance when using IR illumination. This is all achieved with no moving parts. The key is the spectrum notch filter on the CCD. Standard color cameras use an IR cut filter to maintain proper color. The spectrum notch filters allows a combination of visible and IR light spectrums to reach the CCD to provide excellent low-light pictures with or without IR lighting.



## Features

- High Performance 1/3" Sony ExView CCD™
- DSP - Digital Signal Processing
- Color in normal lighting conditions
- High Sensitivity B&W in low light
- Sensitive to IR up to 1000nm; ideal for use with our IR illuminators, 35% better IR performance than standard B&W cameras
- Compact body design (3.3" length)
- Electronic iris
- Backlight compensation
- 12VDC or 24VAC operation
- Built-in isolated power supply
- 3-year warranty
- Exclusive Backfocus Mode™ for easy, one touch backfocusing. No more filters or numerous adjustments for lens/camera setup. Push the button, focus the lens and you're done!

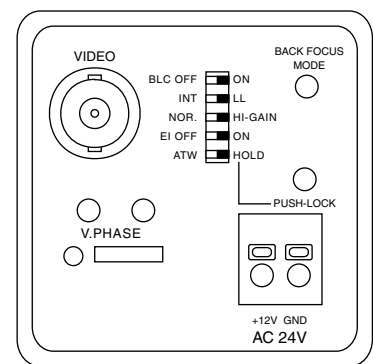
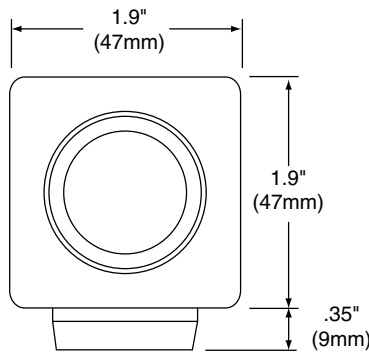
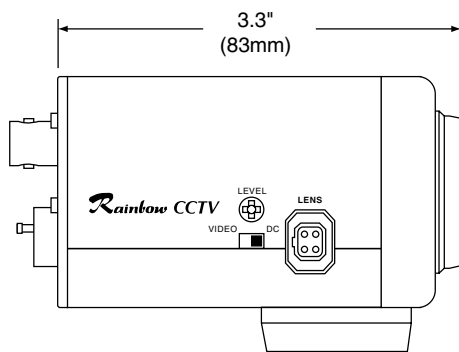
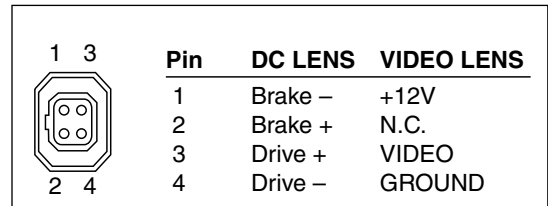
*Note: Due to the high performance nature of the CCD, this camera will perform best under the following conditions: Outdoor use. Indoor under fluorescent lighting. Use in incandescent lighting can exhibit color changes due to IR being present in the light source.*

## SPECIFICATIONS

Camera Model	DNL33D	DNL46D
Image Sensor	Interline 1/3" Sony ExView HAD CCD™	
TV System	NTSC Standard	
Effective Pixels	542 (H) × 492 (V)	768 (H) × 494 (V)
Horizontal Resolution	330 TV Lines	460 TV Lines
Signal to Noise Ratio	More than 48dB	
Minimum Illumination (@F1.2)	DNL33D - 0.04 lux (Normal Mode) / 0.03 lux (Hi-Gain Mode) / 0 lux with IR lighting DNL46D - 0.05 lux (Normal Mode) / 0.03 lux (Hi-Gain Mode) / 0 lux with IR lighting	
Video Output	1Vp-p, 75 ohm	
Sync System	Phase Adjustable Line Lock – Range 0~350°/Internal Selectable	
Auto-Iris Drive	DC or Video Type (4-pin square connector)	
Electronic Iris	1/60~1/100,000 sec. – On/Off Selectable	
BLC (Backlight Compensation)	Backlight Compensation – On/Off Selectable (Center Zone Detection)	
AGC (Automatic Gain Control)	Normal Gain / Hi-Gain Selectable	
Auto White Balance (ATW)	Range of 2,700 °K ~ 7000 °K Auto or Hold Mode (Push Lock)	
Color to B&W Change Point	Approx. 1 lux	
Power Requirement	12VDC or 24VAC ±10% 60Hz, 250mA Max. Isolated Power Supply Built Into Camera	
Operating Condition	14° F to 122° F (-10° C to 50° C), Within 85% RH	
Lens Mount	CS/C (C-mount adapter included), with Cam-type Backfocus Adjustment	
Camera Mount	1/4" – 20 (Top or Bottom Selectable)	
Dimensions (w/h/d)	1.9 x 1.9 x 3.3 inches (47mm x 47mm x 83mm)	
Weight, Color	7.1 oz. (200g), Off White	

### Recommended Lenses (Additional lens types are available)

Type	Focal Length	Angle of View	Manual Iris	DC Auto-Iris
<b>Vari-Focal</b>	2.7~12mm	83~23°	—	L212VDC4P
	3~8mm	93~36°	L308VCS	L308VDC4P
	5~50mm	54~6°	—	L550VDC4P
	6.5~39mm	41~7°	L639VCS	L639VDC4P
	8.5~51mm	32~5°	L851VCS	L851VDC4P



Rear Panel Layout

Note: Due to the high performance nature of the CCD, this camera will perform best under the following conditions: Outdoor use. Indoor under fluorescent lighting. Use in incandescent lighting can exhibit color changes due to IR being present in the light source.

**Rainbow CCTV**

**INTERNATIONAL SPACE OPTICS, S.A.**

**Address:** 2495 Da Vinci, Irvine, CA 92614 USA

**Phone:** (800) 654-5367 (949) 260-1599 • **Fax:** (800) 828-2031 (949) 260-1594

**E-mail:** rainbow@isorainbow.com • **Internet:** www.isorainbow.com

©2003 International Space Optics — 1172-R0825

Non metric weights and measurements are approximate. Specifications are subject to change without notice.