

H 2 0 Z M E - 5 P K

(S u p e r F a s t)

12 mm ~ 240 mm 1 : 1.6 ~ 2.8

(W Q s p e c .)

1. Model H20ZME-5PK (Super Fast)
2. Application For 1/2 Format CCTV Camera
3. Specification

3-1. Physical (As per the attached drawing)

- (1) Dimensions 116(W) mm×135(H) mm×216(D) mm
- (2) Weight 2630 g
- (3) Mount C-Mount, Position Adjustable
- (4) Filter Screw Size ϕ 95 mm, P=1 mm
- (5) Screw for Tripod 1/4-20 UNC

3-2. Optical

- (1) Focal Length 12 mm to 240 mm
- (2) Max. Aperture Ratio 1 : 1.6 (f=12 mm to 54 mm) to 2.8 (f=240 mm)
- (3) Iris Range F/1.6 to F/720 (continuous)
- (4) Illumination Ratio 1 : 202,500
- (5) Angle of View

	WIDE	TELE
Diagonal	38.9°	1.9°
Horizontal	30.8°	1.6°
Vertical	23.0°	1.2°

- (6) Picture format 6.4 mm×4.8 mm
- (7) Focusing Range Inf. to 2.8 m
- (8) Back Focal Length 19.82 mm
- (9) Flange Back Length 17.526 mm \pm 0.05 mm

3-3. Electrical

(1) Auto Iris

1. Supply Voltage & Current DC 8 V to 15V 40 mA or less
2. Input Signal V or VS
3. Iris Accuracy \pm 20 % at V signal level
4. Sensitivity Adjustment 0.5 V(p-p) to 1.0 V(p-p) at V signal level continuously adjustable
5. Input Impedance High Impedance
6. Response Speed 1.5 sec. (approx.)
7. Metering Average to Peak continuously adjustable (adjusted at Average when delivered)
8. Close Down Iris closes down when the power is cut off and protects Image Sensor from strong light.
9. Connector 4-pin Connector (E4-191J made by Chuomusen)

				Approved	Checked	Drawn	Drawing Title
							SPEC. SHEET
No.	Revisions	Date	By				
PENTAX Precision Co., Ltd.				Date Drawn JAN 07, '03	Drawnig Number 61236-X501-00WQ-B14		

(2) Zooming & Focusing

① Control Voltage & Current

DC 12 V 70 mA or less/Motor (at 25 °C)

Adjustable Voltage Range DC 6 V to 12 V

② Control Method

Polarity Switching Type

③ Operational Speed

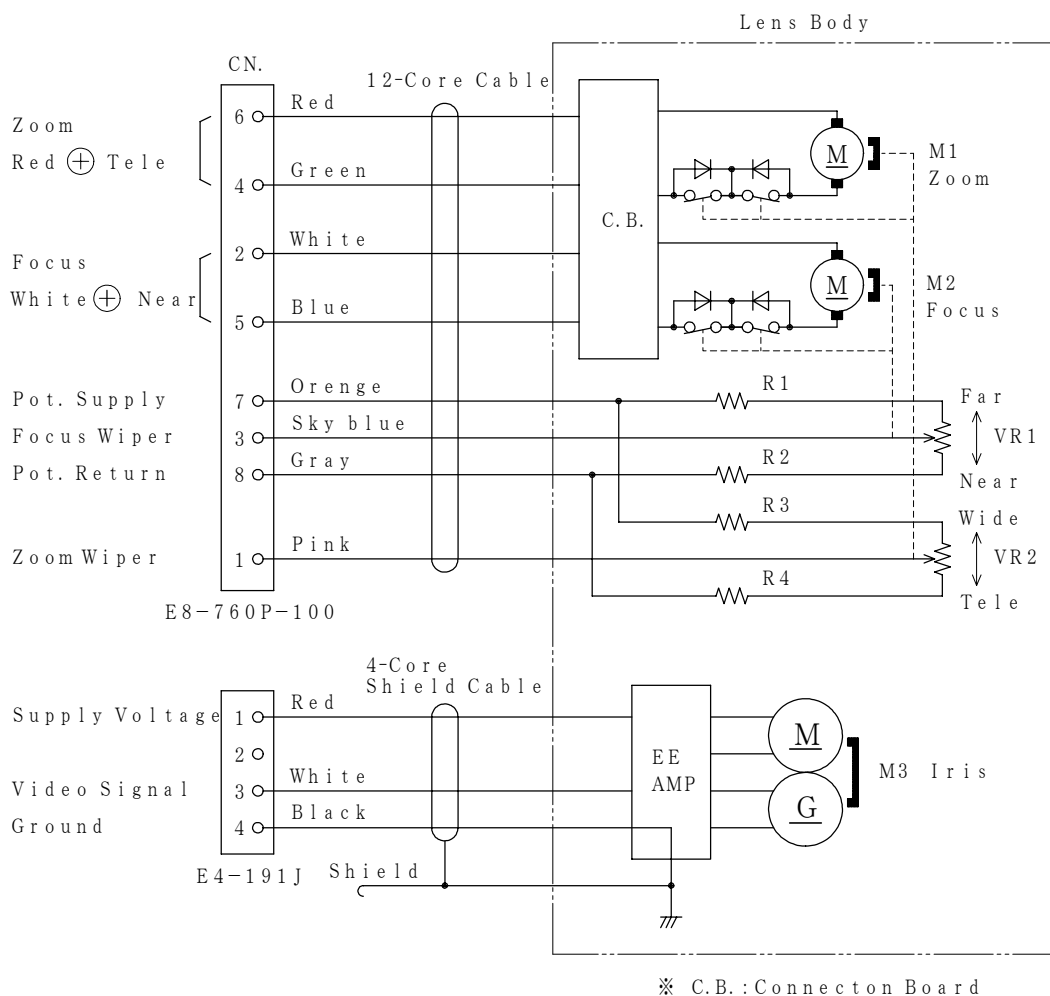
2 sec. (approx.) for Zooming

11 sec. (approx.) for Focusing

④ Connector

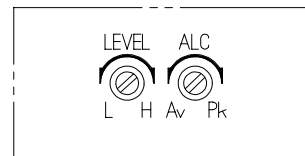
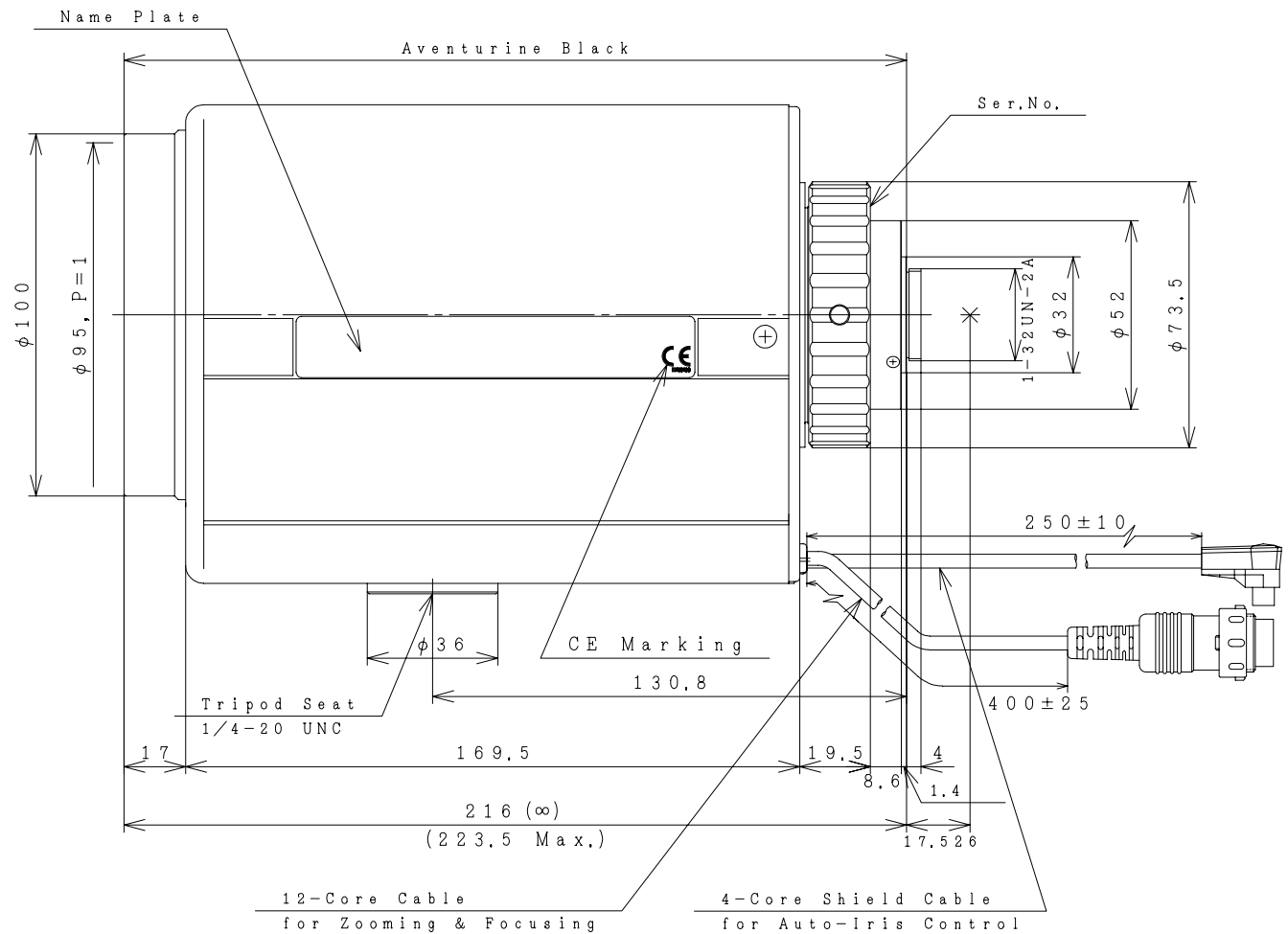
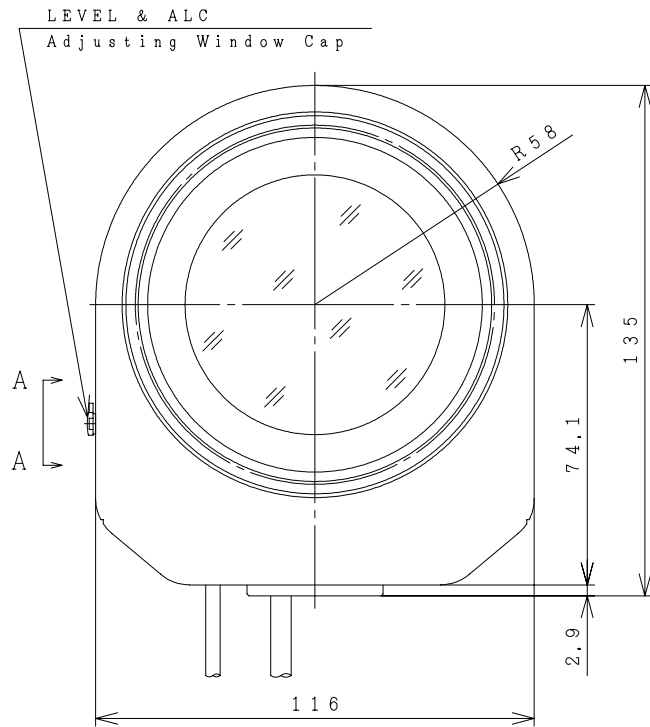
DIN 8-pin Connector (E8-760P-100 made by Chuomusen)

(3) Connection Diagram



R 1, R 2, R 3, R 4	1 k Ω ± 1 % 0. 1 W
VR 1, VR 2	5 k Ω ± 1 5 % 0. 2 W

				Approved	Checked	Drawn	Drawing Title
							SPEC. SHEET
No.	Revisions	Date	By	Date Drawn	Drawnig Number		
PENTAX Precision Co., Ltd.				JAN 07, '03	61236-X501-00WQ-B24		



A-A
(When Cap is off)

UNIT : mm

3					尺度	個数	
2					N. T. S		
1					名称		
	訂	正	記	事	年月日	担当	H20ZME-5PK
承認	設計	製図	検図	完図	JAN 15, '03		External View
					年月日		図面番号
PENTAX Precision Co., Ltd.							61236-X501-00WQ-B44