

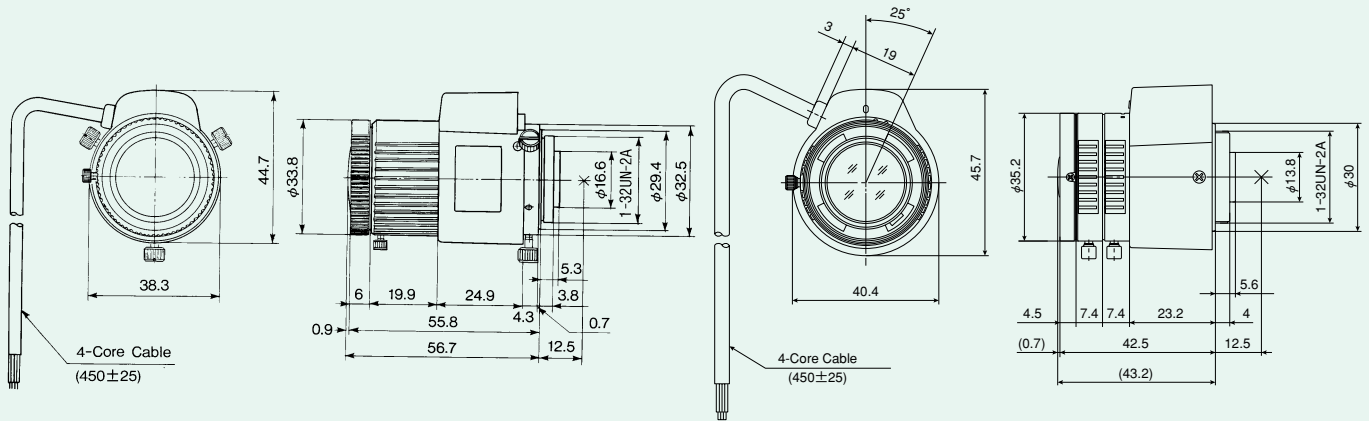
1/3 Format Auto-Iris Vari-Focal

■ TS2V114E(C70100)

CS-MOUNT
Unit:mm

■ TS2V214E(C70209)

CS-MOUNT
Unit:mm



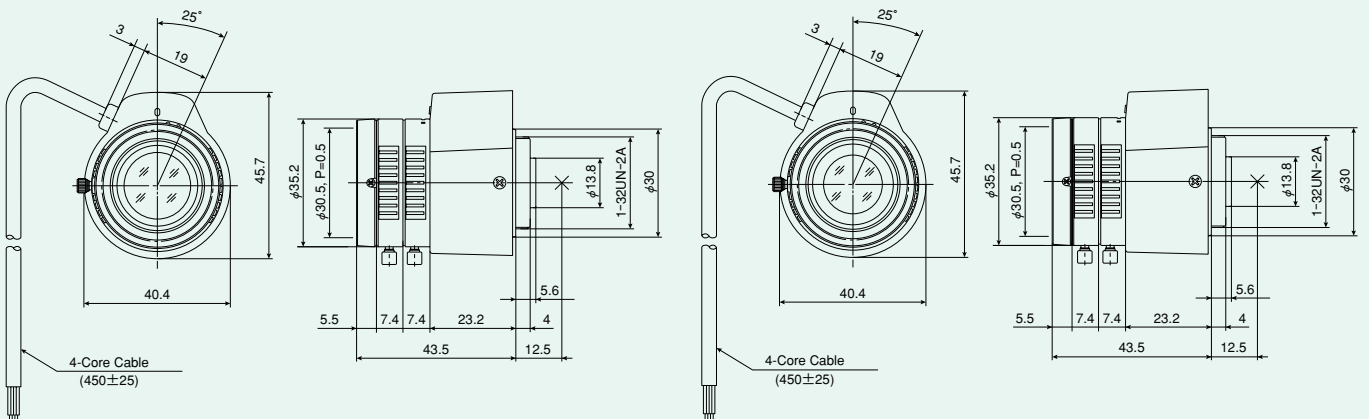
1/3 Format Auto-Iris Vari-Focal

■ TS2V314E(C70306)

CS-MOUNT
Unit:mm

■ TS2V616E(C70608)

CS-MOUNT
Unit:mm



■ Specifications		TS2V114E	TS2V214E	TS2V314E	TS2V616E
Focal Length		1.6~3.4mm	2.8~6mm	3.5~8mm	6~12mm
Max. Aperture Ratio		1:1.4	1:1.4	1:1.4	1:1.6
Iris Range		F1.4~64	F1.4~200	F1.4~200	F1.6~200
Operation Method	Iris	Auto	Auto	Auto	Auto
	Focus	Manual	Manual	Manual	Manual
	Zoom	Manual	Manual	Manual	Manual
1/4 Format Angle of View	Horizontal	180~64.89	72.46~35.15	58.74~26.55	34.92~17.21
	Vertical	107.98~47.84	54.24~26.40	43.57~19.90	26.01~12.90
1/3 Format Angle of View	Horizontal	180~89.55	96.94~46.74	79.85~35.44	47.22~22.97
	Vertical	180~64.89	72.46~35.15	58.74~26.55	34.92~17.21
1/2 Format Angle of View	Horizontal	—	—	—	—
	Vertical	—	—	—	—
Min. Object Distance		0.5m	0.3m	0.35m	1.0m
Back Focal Length		8.07mm	Min. 7.54mm	Min. 7.79mm	Min. 7.79mm
Flange Back Length		12.5mm	12.5mm	12.5mm	12.5mm
Filter Screw Size		—	—	φ 30.5mm P=0.5mm	φ 30.5mm P=0.5mm
Temperature Range		-20°C~+50°C	-20°C~+50°C	-20°C~+50°C	-20°C~+50°C
Dimensions		38.3×44.7×56.7mm	40.4×45.7×43.2mm	40.4×45.7×43.5mm	40.4×45.7×43.5mm
Weight		140g	59g	55g	53g
Remarks		DC Iris	Video & DC Iris	Video & DC Iris	Video & DC Iris