

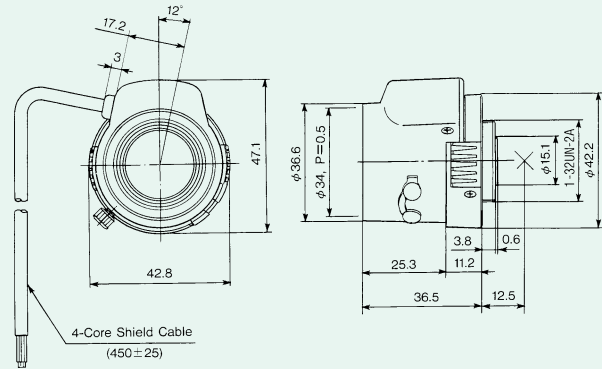
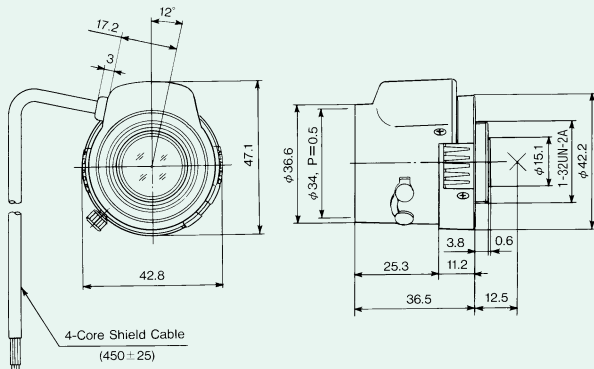
## 1/2 Format Auto-Iris

■ HS316E(C60309)

CS-MOUNT  
Unit:mm

■ HS614E(C60630)

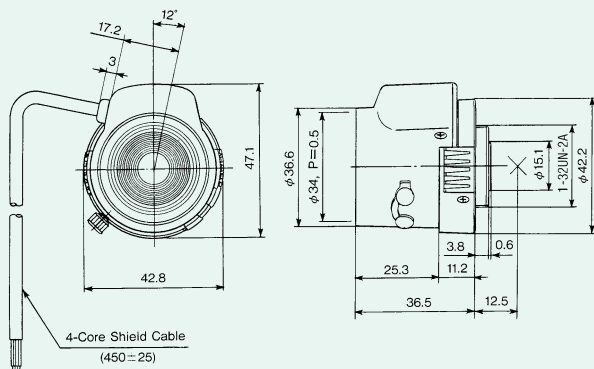
CS-MOUNT  
Unit:mm



## 1/2 Format Auto-Iris

■ HS1214E(C61227)

CS-MOUNT  
Unit:mm



■ Specifications		HS316E	HS614E	HS1214E	
Focal Length		3.7mm	6mm	12mm	
Max. Aperture Ratio		1:1.6	1:1.4	1:1.4	
Iris Range		F1.6~300	F1.4~300	F1.4~300	
Operation Method	Iris	Auto	Auto	Auto	
	Focus	Manual	Manual	Manual	
	Zoom				
1/4 Format Angle of View	Horizontal	53.54	33.86	16.55	
	Vertical	40.26	25.57	12.41	
1/3 Format Angle of View	Horizontal	71.02	44.55	22.06	
	Vertical	53.54	33.86	16.55	
1/2 Format Angle of View	Horizontal	93.65	57.82	29.42	
	Vertical	71.02	44.55	22.06	
Min. Object Distance		0.2m	0.2m	0.3m	
Back Focal Length		8.99mm	10.49mm	10.38mm	
Flange Back Length		12.5mm	12.5mm	12.5mm	
Filter Screw Size		φ 34mm P=0.5mm	φ 34mm P=0.5mm	φ 34mm P=0.5mm	
Temperature Range		-20°C~+50°C	-20°C~+50°C	-20°C~+50°C	
Dimensions		42.8×47.1×36.5mm	42.8×47.1×36.5mm	42.8×47.1×36.5mm	
Weight		57g	60g	46g	
Remarks		Video & DC Iris	Video & DC Iris	Video & DC Iris	