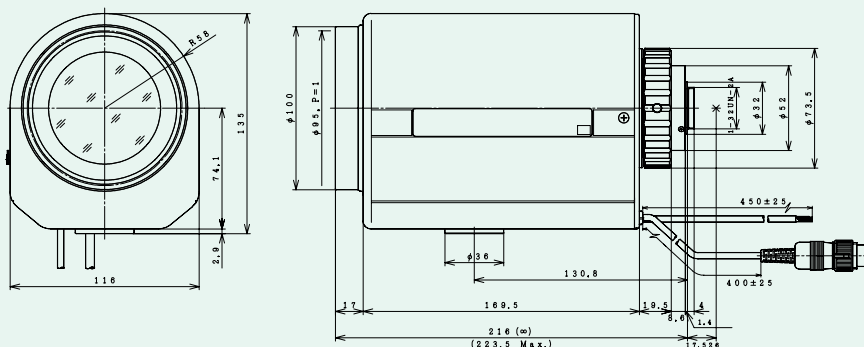


## 1/3 Format Motorized Zoom (Pre-set/Auto-Iris)

■ TS20ZME-P(C70903)

CS-MOUNT

Unit:mm



### ■ Specification

Focal Length	9~180mm	
Max. Aperture Ratio	1:1.2~2.1	
Iris Range	F1.2~510	
Operation Method	Iris	Auto
	Focus	Motorized
	Zoom	Motorized
1/4 Format Angle of View	Horizontal	22.61~1.15
	Vertical	16.93~0.87
1/3 Format Angle of View	Horizontal	30.28~1.53
	Vertical	22.61~1.15
1/2 Format Angle of View	Horizontal	-----
	Vertical	-----
Min. Object Distance	2.2m	
Back Focal Length	14.25mm	
Flange Back Length	12.5mm	
Filter Size	φ95mm P=1.0mm	
Applicable Temp. Range	-10°C~+50°C	
Dimensions	116×135×216mm	
Weight	2620g	
Metering Method	Continuously Adj.	
Supply Vol. & Current	DC8~15V Max.	
Input Signal	VS or V Signal	
Iris Accuracy	±20% at V Signal Level	
Sensitivity Adj.	0.5~1.0Vp at V Signal Level	
Input Impedance	High Impedance	
Response Speed	Approx. 1.5 sec.	
Remarks	Video Iris	

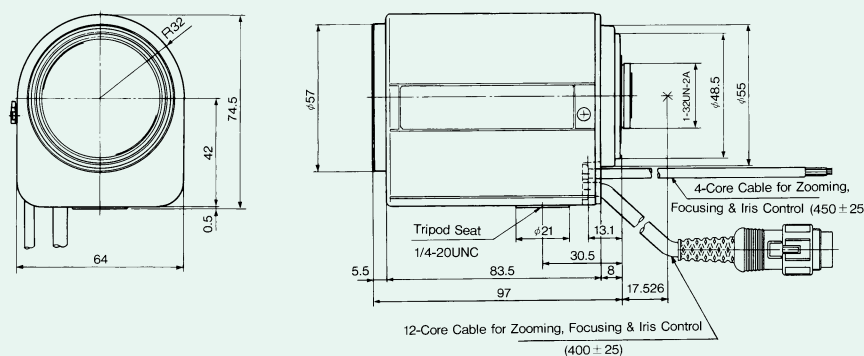
		Focus	Zoom
Control Voltage & Current	Type1	DC6V Max. 120mA / Motor	DC6V Max. 120mA / Motor
	Type2	DC±12V Max. 70mA / Motor	DC±12V Max. 70mA / Motor
	Type3	DC±6V Max. 120mA / Motor	DC±6V Max. 120mA / Motor
	Type5	DC12V Max. 70mA / Motor	DC12V Max. 70mA / Motor
	Operation Speed	Type1	Approx. 10 sec.
Type2		Approx. 10 sec.	Approx. 8 sec.
Type3		Approx. 10 sec.	Approx. 8 sec.
Type5		Approx. 10 sec.	Approx. 8 sec.

## 1/2 Format Motorized Zoom (Pre-set/Auto-Iris)

■ H6ZBME-P(C60810)

C-MOUNT

Unit:mm



### ■ Specification

Focal Length	8~48mm	
Max. Aperture Ratio	1:1.0~1.2	
Iris Range	F1.0~720	
Operation Method	Iris	Auto
	Focus	Motorized
	Zoom	Motorized
1/4 Format Angle of View	Horizontal	24.92~4.42
	Vertical	18.76~3.33
1/3 Format Angle of View	Horizontal	32.98~5.86
	Vertical	24.92~4.42
1/2 Format Angle of View	Horizontal	43.24~7.73
	Vertical	32.98~5.86
Min. Object Distance	1.2m	
Back Focal Length	13.65mm	
Flange Back Length	17.526mm	
Filter Size	φ55.0mm P=0.75mm	
Applicable Temp. Range	-10°C~+50°C	
Dimensions	64×74.5×97mm	
Weight	540g	
Metering Method	Continuously Adj.	
Supply Vol. & Current	DC8~15V Max. 40mA	
Input Signal	VS or V Signal	
Iris Accuracy	±20% at V Signal Level	
Sensitivity Adj.	0.5~1.0Vp at V Signal Level	
Input Impedance	High Impedance	
Response Speed	Approx. 1.5 sec.	
Remarks	Video Iris	

		Focus	Zoom
Control Voltage & Current	Type1	DC6V Max. 40mA / Motor	DC6V Max. 40mA / Motor
	Type2	DC±12V Max. 35mA / Motor	DC±12V Max. 35mA / Motor
	Type3	DC±6V Max. 40mA / Motor	DC±6V Max. 40mA / Motor
	Type5	DC12V Max. 30mA / Motor	DC12V Max. 30mA / Motor
	Operation Speed	Type1	Approx. 6.0 sec.
Type2		Approx. 6.0 sec.	Approx. 6.0 sec.
Type3		Approx. 6.0 sec.	Approx. 6.0 sec.
Type5		Approx. 6.0 sec.	Approx. 6.0 sec.