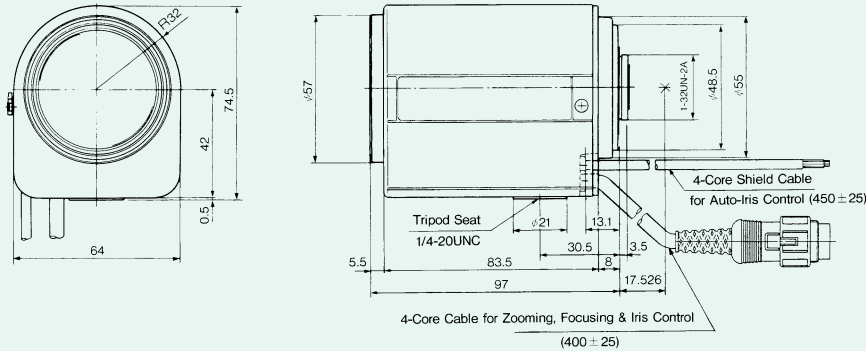


1/2 Format Motorized Zoom (Auto-Iris)

H6ZBME(C60809)

C-MOUNT
Unit:mm



		Focus	Zoom
Control Voltage & Current	Type1	DC6V Max. 50mA / Motor	DC6V Max. 50mA / Motor
	Type2	DC±12V Max. 35mA / Motor	DC±12V Max. 35mA / Motor
	Type3	DC±6V Max. 50mA / Motor	DC±6V Max. 50mA / Motor
	Type5	DC12V Max. 35mA / Motor	DC12V Max. 35mA / Motor
	Operation Speed	Type1	Approx. 6.0 sec.
Type2		Approx. 6.0 sec.	Approx. 6.0 sec.
Type3		Approx. 6.0 sec.	Approx. 6.0 sec.
Type5		Approx. 6.0 sec.	Approx. 6.0 sec.

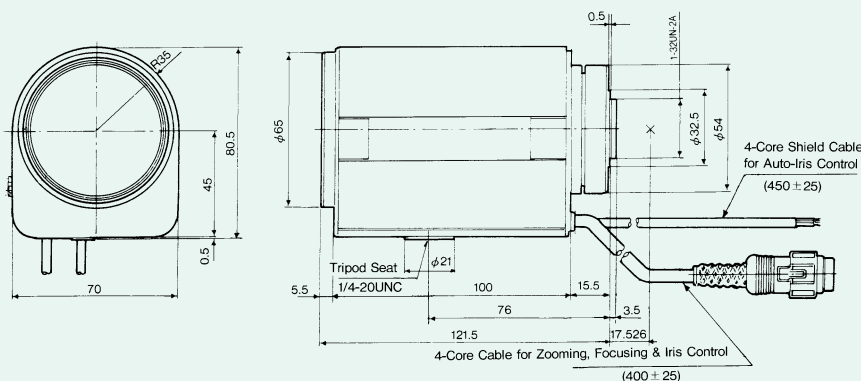
Specification

Focal Length	8~48mm	
Max. Aperture Ratio	1:1.0~1.2	
Iris Range	F1.0~720	
Operation Method	Iris	Auto
	Focus	Motorized
	Zoom	Motorized
1/4 Format Angle of View	Horizontal	24.92~4.42
	Vertical	18.76~3.33
1/3 Format Angle of View	Horizontal	32.98~5.86
	Vertical	24.92~4.42
1/2 Format Angle of View	Horizontal	43.24~7.73
	Vertical	32.98~5.86
Min. Object Distance	1.2m	
Back Focal Length	13.65mm	
Flange Back Length	17.526mm	
Filter Size	φ 55.0mm P=0.75mm	
Applicable Temp. Range	-10°C~+50°C	
Dimensions	64×74.5×97mm	
Weight	530g	
Metering Method	Continuously Adj.	
Supply Vol. & Current	DC8~15V Max. 40mA	
Input Signal	VS or V Signal	
Iris Accuracy	±20% at V Signal Level	
Sensitivity Adj.	0.5~1.0Vp at V Signal Level	
Input Impedance	High Impedance	
Response Speed	Approx. 1.5 sec.	
Remarks	Video Iris	

1/2 Format Motorized Zoom (Auto-Iris)

H10ZME(C60701)

C-MOUNT
Unit:mm



		Focus	Zoom
Control Voltage & Current	Type1	DC6V Max. 50mA / Motor	DC6V Max. 50mA / Motor
	Type2	DC±12V Max. 35mA / Motor	DC±12V Max. 35mA / Motor
	Type3	DC±6V Max. 50mA / Motor	DC±6V Max. 50mA / Motor
	Type5	DC12V Max. 35mA / Motor	DC12V Max. 35mA / Motor
	Operation Speed	Type1	Approx. 6.0 sec.
Type2		Approx. 5.5 sec.	Approx. 5.5 sec.
Type3		Approx. 6.0 sec.	Approx. 6.0 sec.
Type5		Approx. 5.5 sec.	Approx. 5.5 sec.

Specification

Focal Length	7.5~75mm	
Max. Aperture Ratio	1:1.2~1.5	
Iris Range	F1.2~512	
Operation Method	Iris	Auto
	Focus	Motorized
	Zoom	Motorized
1/4 Format Angle of View	Horizontal	26.45~2.84
	Vertical	19.93~2.13
1/3 Format Angle of View	Horizontal	34.94~3.77
	Vertical	26.45~2.84
1/2 Format Angle of View	Horizontal	45.63~4.99
	Vertical	34.94~3.77
Min. Object Distance	1.8m	
Back Focal Length	14.52mm	
Flange Back Length	17.526mm	
Filter Size	φ 62mm P=0.75mm	
Applicable Temp. Range	-10°C~+50°C	
Dimensions	70×80.5×121.5mm	
Weight	715g	
Metering Method	Continuously Adj.	
Supply Vol. & Current	DC8~15V Max. 40mA	
Input Signal	VS or V Signal	
Iris Accuracy	±20% at V Signal Level	
Sensitivity Adj.	0.5~1.0Vp at V Signal Level	
Input Impedance	High Impedance	
Response Speed	Approx. 1.5 sec.	
Remarks	Video Iris	