

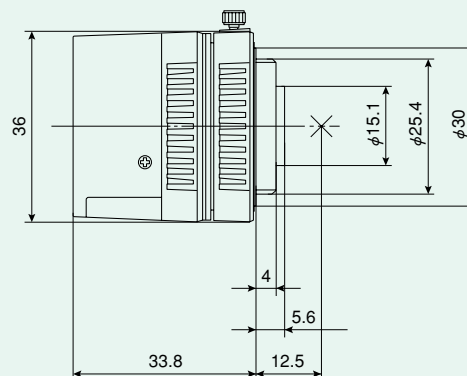
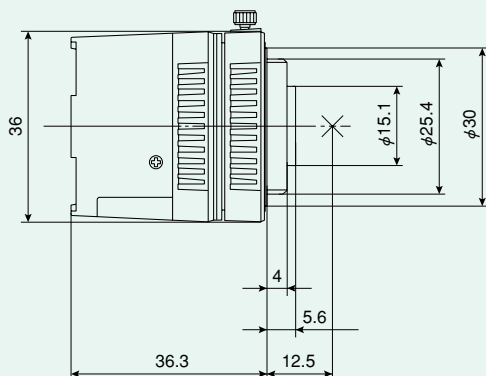
1/4 Format Manual Iris

■ QS210(C40206)

CS-MOUNT
Unit:mm

■ QS310(C40301)

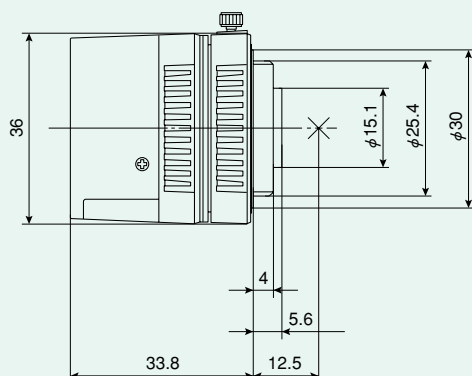
CS-MOUNT
Unit:mm



1/4 Format Manual Iris

■ QS610(C40601)

CS-MOUNT
Unit:mm



■ Specifications		QS210	QS310	QS610	
Focal Length		2.2mm	3.0mm	6.0mm	
Max. Aperture Ratio		1:1.0	1:1.0	1:1.0	
Iris Range		F1.0~Close	F1.0~Close	F1.0~Close	
Operation Method	Iris	Manual	Manual	Manual	
	Focus	Manual	Manual	Manual	
	Zoom	—	—	—	
1/4 Format Angle of View	Horizontal	92.60	64.24	34.83	
	Vertical	70.12	49.11	26.23	
1/3 Format Angle of View	Horizontal	—	—	—	
	Vertical	—	—	—	
1/2 Format Angle of View	Horizontal	—	—	—	
	Vertical	—	—	—	
Min. Object Distance		0.15m	0.15m	0.2m	
Back Focal Length		7.76mm	7.75mm	7.73mm	
Flange Back Length		12.5mm	12.5mm	12.5mm	
Filter Screw Size		—	—	—	
Temperature Range		-20°C~+50°C	-20°C~+50°C	-20°C~+50°C	
Dimensions		φ 36.8×36.3mm	φ 36.8×33.8mm	φ 36.8×33.8mm	
Weight		44g	40g	37g	
Remarks					