

2/3 Format Motorized Zoom (Motorized Iris)

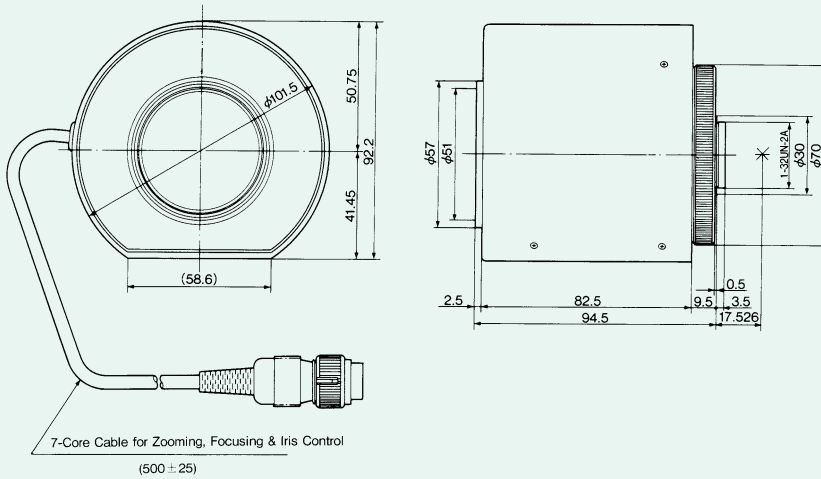
C6Z1218M3(C31211)

C-MOUNT

Unit:mm

Specification

Focal Length	12.5 ~ 75mm	
Max. Aperture Ratio	1:1.8	
Iris Range	F1.8 ~ Close	
Operation Method	Iris	Motorized
	Focus	Motorized
	Zoom	Motorized
1/4 Format Angle of View	Horizontal	16.06 ~ 2.75
	Vertical	12.06 ~ 2.06
1/3 Format Angle of View	Horizontal	21.38 ~ 3.66
	Vertical	16.06 ~ 2.75
1/2 Format Angle of View	Horizontal	28.41 ~ 4.87
	Vertical	21.38 ~ 3.66
Min. Object Distance	1m	
Back Focal Length	18.41mm	
Flange Back Length	17.526mm	
Filter Size	φ 49.0mm P=0.75mm	
Applicable Temp. Range	-10°C ~ +50°C	
Dimensions	φ 101.5 × 92.2 × 94.5mm	
Weight	820g	
Remarks		



		Iris	Focus	Zoom
Control Voltage & Current	Type1	DC6V Max. 45mA / Motor	DC6V Max. 50mA / Motor	DC6V Max. 50mA / Motor
	Type2	DC±12V Max. 35mA / Motor	DC±12V Max. 40mA / Motor	DC±12V Max. 40mA / Motor
	Type3	DC±6V Max. 45mA / Motor	DC±6V Max. 50mA / Motor	DC±6V Max. 50mA / Motor
	Type5	DC12V Max. 35mA / Motor	DC12V Max. 40mA / Motor	DC12V Max. 40mA / Motor
	Operation Speed	Type1	Approx. 4 sec.	Approx. 5.5 sec.
Type2		Approx. 4 sec.	Approx. 5.0 sec.	Approx. 5.0 sec.
Type3		Approx. 4 sec.	Approx. 5.5 sec.	Approx. 5.5 sec.
Type5		Approx. 4 sec.	Approx. 5.0 sec.	Approx. 5.0 sec.