

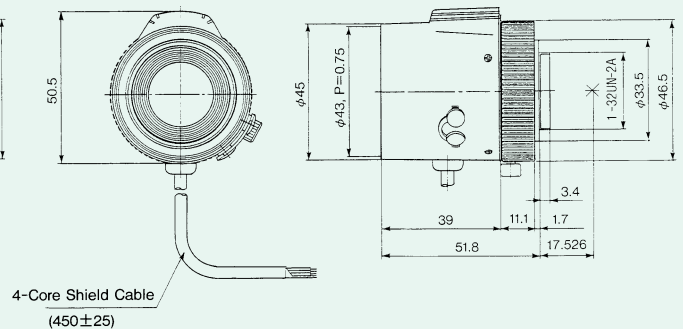
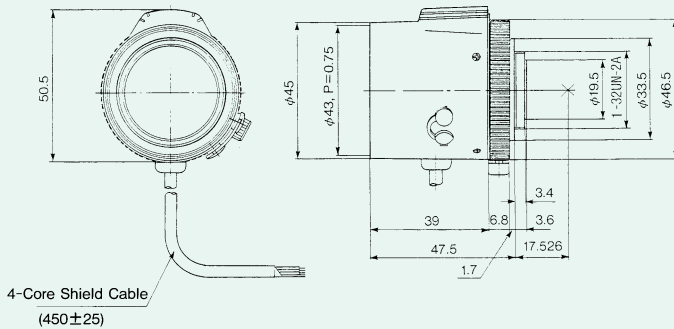
1 Format Auto-Iris For High Sensitivity Camera

B1214E-2000(C21224)

C-MOUNT
Unit:mm

B2514E-2000(C22528)

C-MOUNT
Unit:mm



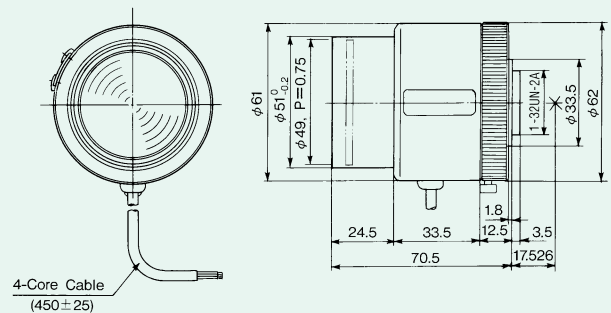
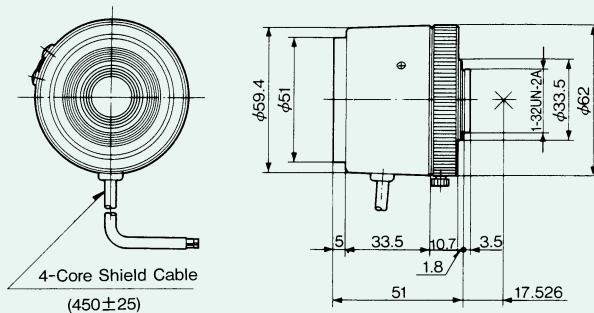
1 Format Auto-Iris For High Sensitivity Camera

B5018E-1000(C25019)

C-MOUNT
Unit:mm

B7518E-1000(C27514)

C-MOUNT
Unit:mm



■Specifications		B1214E-2000	B2514E-2000	B5018E-1000	B7518E-1000
Focal Length		12.5mm	25mm	50mm	75mm
Max. Aperture Ratio		1:1.4	1:1.4	1:1.8	1:1.8
Iris Range		F1.4~2000	F1.4~2000	F1.8~1000	F1.8~1000
Operation Method	Iris	Auto	Auto	Auto	Auto
	Focus	Manual	Manual	Manual	Manual
	Zoom				
1/4 Format Angle of View	Horizontal	16.21	8.23	4.13	2.76
	Vertical	12.19	6.17	3.10	2.07
1/3 Format Angle of View	Horizontal	21.53	10.97	5.50	3.67
	Vertical	16.21	8.23	4.13	2.76
1/2 Format Angle of View	Horizontal	28.51	14.62	7.32	4.90
	Vertical	21.53	10.97	5.50	3.67
Min. Object Distance		0.3m	0.9m	1m	2.5m
Back Focal Length		14.4mm	14.98mm	31.70mm	28.70mm
Flange Back Length		17.526mm	17.526mm	17.526mm	17.526mm
Filter Screw Size		$\phi 43.0$ mm P=0.75mm	$\phi 43.0$ mm P=0.75mm	$\phi 49.0$ mm P=0.75mm	$\phi 49.0$ mm P=0.75mm
Temperature Range		-20°C~+50°C	-20°C~+50°C	-20°C~+50°C	-20°C~+50°C
Dimensions		46.5×50.5×47.5mm	46.5×50.5×51.8mm	$\phi 62$ ×51mm	$\phi 62$ ×70.5mm
Weight		140g	140g	215g	295g
Remarks					