

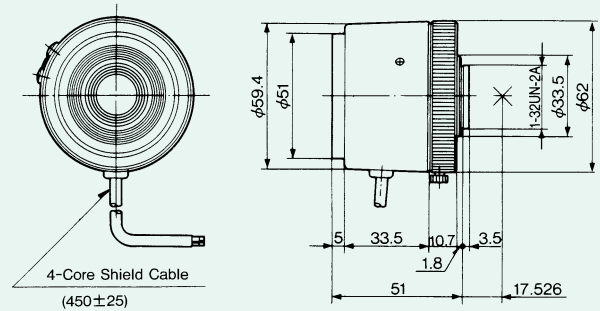
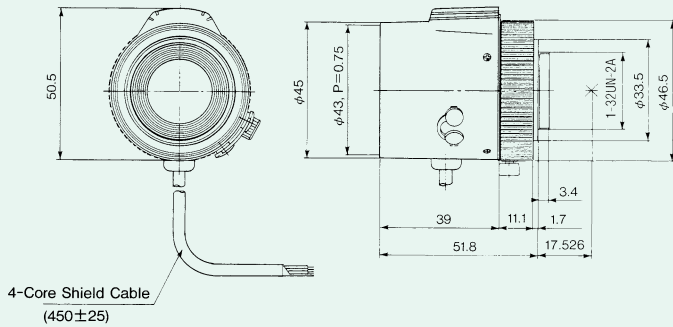
2/3, 1 Format Auto-Iris

B2514E(C22527)

C-MOUNT
Unit:mm

B5018E(C25018)

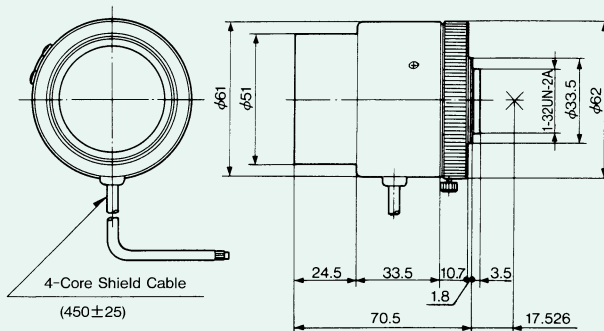
C-MOUNT
Unit:mm



2/3, 1 Format Auto-Iris

B7518E(C27513)

C-MOUNT
Unit:mm



■Specifications		B2514E	B5018E	B7518E	
Focal Length		25mm	50mm	75mm	
Max. Aperture Ratio		1:1.4	1:1.8	1:1.8	
Iris Range		F1.4~360	F1.8~360	F1.8~360	
Operation Method	Iris	Auto	Auto	Auto	
	Focus	Manual	Manual	Manual	
	Zoom				
1/4 Format Angle of View	Horizontal	8.23	4.13	2.76	
	Vertical	6.17	3.10	2.07	
1/3 Format Angle of View	Horizontal	10.97	5.50	3.67	
	Vertical	8.23	4.13	2.76	
1/2 Format Angle of View	Horizontal	14.62	7.32	4.90	
	Vertical	10.97	5.50	3.67	
Min. Object Distance		0.9m	1m	2.5m	
Back Focal Length		14.98mm	31.7mm	28.3mm	
Flange Back Length		17.526mm	17.526mm	17.526mm	
Filter Screw Size		φ 43mm P=0.75mm	φ 49.0mm P=0.75mm	φ 49.0mm P=0.75mm	
Temperature Range		-20°C~+50°C	-20°C~+50°C	-20°C~+50°C	
Dimensions		46.5×50.5×51.8mm	φ 62×51mm	φ 62×70.5mm	
Weight		140g	230g	300g	
Remarks		Video Iris	Video Iris	Video Iris	