



PRODUCT SPECIFICATION

MX4000SVR Multiplexer Server MICROPROCESSOR-BASED SWITCHER/CONTROLLER



Product Features

- Inputs for Four KBD4000 Keyboards for Control by More than One Operator
- Eight MX4000 Genex® Multiplexer Inputs for Control of up to 128 Cameras
- Four Monitor Outputs
- Programming Menus for Server Setup
- Looping Video Outputs to Connect Additional Monitors or Equipment

The **MX4000SVR** Genex® Multiplexer Server expands the flexibility of your multiplexer system so that as many as four operators can share control of the system.

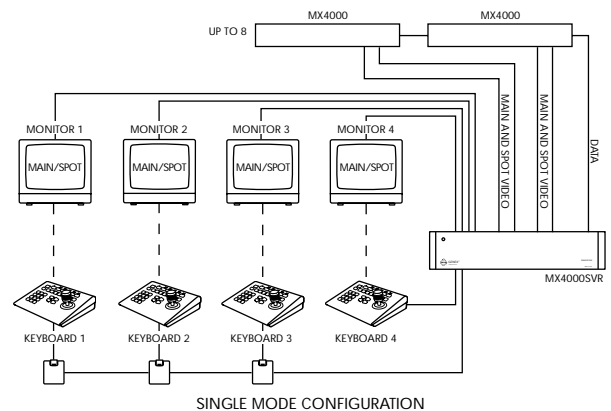
Up to eight MX4000 Genex Multiplexers can be connected to the server, which can be controlled from as many as four keyboards. Up to 72 cameras can be controlled with 9-channel multiplexers or 128 cameras with 16-channel multiplexers.

The server has two video inputs for each multiplexer – one from the main monitor and one from the spot monitor. The server can route the main or spot monitor output from any of the eight multiplexers to any of the server's four monitor outputs.

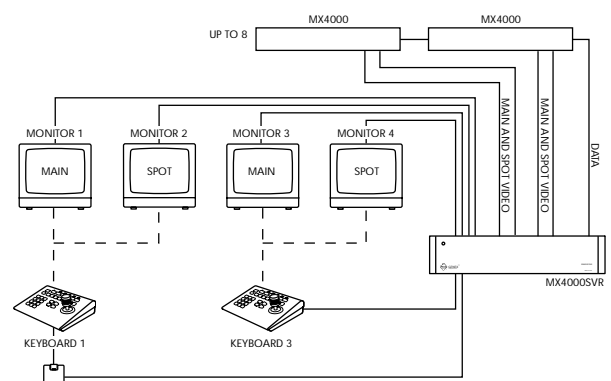
The server can operate in single mode (one keyboard controls one monitor) or paired mode (one keyboard controls two monitors).

Looping outputs are available for sending the video inputs from each multiplexer to additional monitors or other equipment such as a matrix switcher.

On-screen menus allow programming of multiplexer titles, keyboard and monitor operation, and multiplexer sequencing.



SINGLE MODE CONFIGURATION



PAIRED MODE CONFIGURATION

MULTIPLEXERS & QUADS

MULTIPLEXER SWITCHER/CONTROLLER



International Standards Organization Registered Firm ISO 9001 Quality System



TECHNICAL SPECIFICATIONS

MODELS

MX4000SVR	Genex® Server; integrates up to eight MX4000 Series Multiplexers into a single system, NTSC standard, 120 VAC, 60 Hz
MX4000SVR-X	Same as MX4000SVR except PAL standard, 230 VAC, 50 Hz

RELATED PRODUCTS

KBD4000	Full-function keyboard controller; joystick control of pan/tilt functions. (See C1918 spec)
KBD4000V	Same as KBD4000 except has 5-inch (12.7 cm) integrated video display. (See C1918 spec)
KBD4002	Same as KBD4000 except keypad control of pan/tilt functions. (See C581 spec)

VIDEO INPUTS

Number of Inputs	16
Type	75-ohm unbalanced terminating or looping; jumper selectable
Level	1 Vp-p
Connector Type	Panel-mount BNC

VIDEO OUTPUTS

Number	4 (maximum)
Type	75-ohm unbalanced
Level	1 Vp-p
Video Fail Detection	
Type	Vertical sync detector
Action	Switch to back up sync generator
Connector Type	Panel-mount BNC

VIDEO SPECIFICATIONS

Bandwidth	17 MHz
Frequency	
Response	Flat to 8 MHz, ±1.0 dB to 12 MHz
Gain	Unity (±1 dB)
Differential Gain	2% typical
Differential Phase	0.2° typical
Tilt	0.5% typical
Signal to Noise	-55 dB (peak to peak vs. RMS noise)
DC Output	Zero volts
Cross talk	-50 dB typical at 3.58 MHz

CHARACTER GENERATOR

Display	White with black border
Program Menus	Raster background with white characters

KEYBOARD INTERFACE

Number of Ports	2 (Remote and Local)
Number of Independent Keyboards	4
Baud Rate	9600
Connector Type	RJ-45 8-pin modular (female)

POWER SUPPLY

Input Voltage	120 VAC, 50/60 Hz or 230 VAC, 50 Hz
Power Consumption	10 watts
Ambient Operating Temperature	20° to 120°F (-7° to 49°C)
Humidity	10% - 90% non-condensing

GENERAL

Dimensions	
With rack ears	3.50" H x 19.00" W x 11.25" D (8.89 x 48.26 x 28.58 cm)
Without rack ears	3.50" H x 17.00" W x 11.25" D (8.89 x 43.18 x 28.58 cm)
Mounting	Factory configured for EIA rack mount (2 RUs); rack ears can be removed for wall mount or free standing applications
Construction	20-gauge aluminum
Unit Weight	10.24 lb (4.65 kg)
Shipping Weight	14 lb (6.34 kg)

OPTIONAL ACCESSORIES

KBDKIT	Remote keyboard wiring kit with RJ-45 wall block and 120 VAC to 12 VAC transformer. Required if using Remote Keyboard Port on multiplexer server or if extending Local Keyboard Port beyond 25 feet. Maximum distance of 4,000 feet (1,219 m) to last keyboard in daisy chain. Use shielded twisted pairs such as Belden 9843 or equivalent that meets RS-485 standards. (One kit for each keyboard required.)
KBDKIT-X	Same as KBDKIT except 230 VAC to 12 VAC transformer

CERTIFICATIONS

- ◆ CE, Class A (MX4000SVR-X)
- ◆ FCC, Class A (MX4000SVR)

■ Indicates change or addition since last revision.

Genex® is a registered trademark of Pelco. Specifications subject to change without notice. © Copyright 2000, Pelco. All rights reserved.