

# IXE20 Series Sarix™ EP Network Camera

## 2.1 MEGAPIXEL EXTENDED PLATFORM HIGH DEFINITION DIGITAL CAMERAS

### Product Features

- Open IP Standards
- Up to 2.1 Megapixel Resolution (1920 x 1080)
- Up to 30 Images per Second (ips) at 1280 x 720
- Auto Back Focus
- H.264 and MJPEG Compression Capability
- Color and Day/Night Models
- Video Setup Jack
- Sensitivity Down to 0.03 Lux
- Power over Ethernet (IEEE 802.3af) or 24 VAC
- Up to 2 Simultaneous Video Streams
- Web Viewing, up to 16 Cameras Simultaneously
- Local Storage (Mini SD) for Alarm Capture

The **IXE20 Series with Sarix™** technology is a 2.1 megapixel (MPx) network camera designed with industry-leading image quality and high performance processing power. Designed to install quickly, the camera comes equipped with the advanced features needed for demanding security applications.

**Sarix** technology defines the next generation of video security imaging performance, delivering high definition (HD) resolution, advanced low light capabilities, consistent color science, and fast processing power. The H.264 compression video files are up to 20 times smaller making high definition video more affordable.

### Camera

The **Sarix IXE20 Series** has two 2.1 megapixel models: color and day/night. Both models feature advanced low light technology capabilities. The day/night model has a mechanical IR cut filter for increased sensitivity in low light installations.

The **Sarix IXE20 Series** can support two simultaneous video streams. The two streams can be compressed in MJPEG and H.264 formats across several resolution configurations. The extended platform gives real time video (30 ips) with HD resolution using H.264 compression for optimized bandwidth and storage efficiency. The streams can be configured to a variety of frame rates, bit rates, and GOP (group of pictures) structures for additional bandwidth administration.



The **Sarix IXE20 Series** is simple to install, and the automatic back focus control feature makes sharp scene focus setup easy. A convenient video setup jack eliminates the need to use a laptop for viewing video when installing the camera.

The **Sarix IXE20 Series** features built-in Power over Ethernet (PoE) IEEE 802.3af, which supplies power to the camera over the network, eliminating the need for a separate power supply. If PoE is not available, 24 VAC can be used to power the camera.

### Web Interface

The **Sarix IXE20 Series** uses a standard Web browser for powerful remote setup and administration. Up to 16 cameras can be viewed on the same network.

Network protocols such as SSL configuration for security certificates, SSH for remote logon, and QoS for priority or guarantee data flow can be managed using a Web browser.

### Systemization

The **Sarix IXE20 Series** easily connects to Pelco IP and hybrid systems such as Endura® version 2.0 (or later) and Digital Sentry® version 4.2 (or later). The camera also features open architecture connectivity to third-party software. Pelco offers an application programming interface (API) for interfacing with Pelco's network cameras



# TECHNICAL SPECIFICATIONS

## GENERAL

Imaging Device	1/3-inch (effective)
Imager Type	CMOS
Imager Readout	Progressive scan
Maximum Resolution	1920 x 1080
Signal-to-Noise Ratio	50 dB
Auto Iris Lens Type	DC drive
Electronic Shutter Range	1~1/10,000 sec
Wide Dynamic Range	60 dB
White Balance Range	2,000° to 10,000°K
Sensitivity	f/1.2; 2,850°K; SNR >24 dB
Color (33 ms)	0.50 Lux
Color SENS (500 ms)	0.12 Lux
Mono (33 ms)	0.25 Lux
Mono SENS (500 ms)	0.03 Lux
Weight (without lens)	1.14 lb (0.51 kg)
Shipping Weight	2.00 lb (0.90 kg)

## ELECTRICAL

Port	RJ-45 connector for 100Base-TX Auto MDI/MDI-X
Cabling Type	Cat5 or better for 100Base-TX
Power Input	24 VAC or PoE (IEEE 802.3af class 3)
Power Consumption	<7 W
Current Consumption	
PoE	<200 mA maximum
24 VAC	<295 mA nominal; <390 mA maximum
Local Storage	Mini SD
Alarm Input	10 VDC maximum, 5 mA maximum
Alarm Output	0 to 15 VDC maximum, 75 mA maximum
Service Connector	External 3-conductor, 2.5 mm provides NTSC/PAL video output

## MECHANICAL

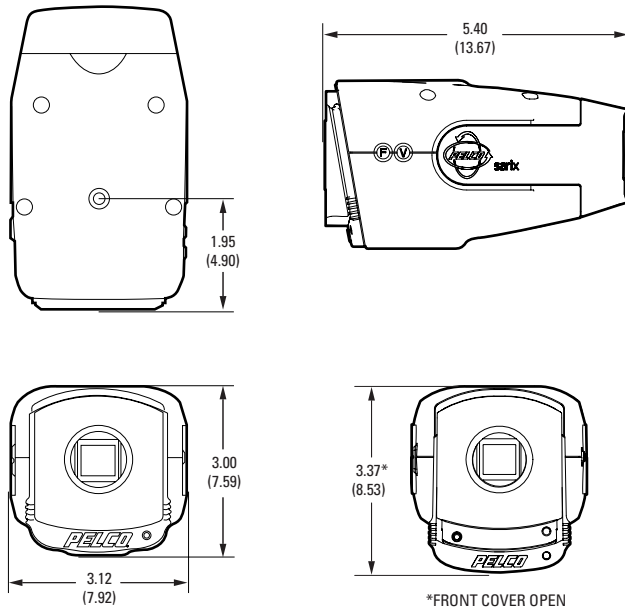
Lens Mount	CS mount, adjustable
Camera Mount	0.25-inch (0.64 cm) UNC-20 screw, top and bottom of camera housing

## ENVIRONMENTAL

Operational Temperature	14° to 122°F (-10° to 50°C)
Storage Temperature	14° to 158°F (-10° to 70°C)
Storage Humidity	20% to 90%, noncondensing



FRONT VIEW, CAMERA ONLY  
(OPENED TO EXPOSE SERVICE CONNECTOR)



NOTE: VALUES IN PARENTHESES ARE CENTIMETERS; ALL OTHERS ARE INCHES.



REAR VIEW

# TECHNICAL SPECIFICATIONS

## VIDEO

Video Encoding	H.264 high main or base profile and MJPEG
Video Streams	Up to 2 simultaneous streams; the second stream is variable based on the setup of the primary stream
Frame Rate	Up to 30, 25, 24, 15, 12.5, 12, 10, 8, 7.5, 6, 5, 4, 3, 2.5, 2, 1 (dependent upon coding, resolution, and stream configuration)

Available Resolutions	Resolution				MJPEG		H.264 High Profile	
	MPx	Width	Height	Aspect Ratio	Maximum IPS	Recommended Bit Rate	Maximum IPS	Recommended Bit Rate
	2.1	1920	1080	16:9	15.0 ips	10.0 Mbps	15.0 ips	3.8 Mbps
	1.9	1600	1200	4:3	20.0 ips	10.0 Mbps	20.0 ips	4.0 Mbps
	1.3	1280	1024	5:4	20.0 ips	10.0 Mbps	20.0 ips	3.4 Mbps
	1.2	1280	960	4:3	20.0 ips	10.0 Mbps	20.0 ips	3.3 Mbps
	0.9	1280	720	16:9	30.0 ips	10.0 Mbps	30.0 ips	2.9 Mbps
	0.5	800	600	4:3	30.0 ips	7.7 Mbps	30.0 ips	2.0 Mbps
	0.3	640	480	4:3	30.0 ips	4.9 Mbps	30.0 ips	1.5 Mbps
	0.1	320	240	4:3	30.0 ips	1.2 Mbps	30.0 ips	0.5 Mbps

Additional Resolutions	640 x 512, 640 x 352, 480 x 368, 480 x 272, 320 x 256, and 320 x 176
Supported Protocols	TCP/IP, UDP/IP (Unicast, Multicast IGMP), UPnP, DNS, DHCP, RTP, RTSP, NTP, IPv4, SNMP, QoS, HTTP, HTTPS, LDAP (client), SSH, SSL, SMTP, FTP, MDNS (Bonjour)
Users	
Unicast	Up to 20 simultaneous users
Multicast	Unlimited users H.264
Security Access	Password protected
Software Interface	Web browser view and setup, up to 16 cameras
Pelco System Integration	Endura 2.0 (or later) Digital Sentry 4.2 (or later)
Open IP Integration	Pelco IP camera API
Minimum Web Browser Requirements	PC (Core 2 Duo microprocessor, 2.6 GHz) with Windows® XP, and Windows Vista®, or Mac® OS X 10.4 (or later)
Web User Interface	Interface for viewing requires QuickTime® 7.55 (or later)
RAM	2 GB
Ethernet Card	100 Megabits
Web Browser	Microsoft® Internet Explorer® 7.0 (or later) or Mozilla® Firefox® 3.0 (or later)
Screen Resolution	1024 x 768 pixels or higher, 16- or 32-bit pixel color resolution

# TECHNICAL SPECIFICATIONS

## MODELS

IXE20C	Sarix 2.1 megapixel EP network color camera
IXE20DN	Sarix 2.1 megapixel EP network day/night camera

## CERTIFICATIONS

At the time of this printing, the following certifications are pending. Please consult the factory, our Web site ([www.pelco.com](http://www.pelco.com)), or the most recent B.O.S.S.® update for the current status of certifications.

- CE, Class B
- FCC, Class B
- UL/cUL Listed
- C-Tick\*
- GOST\*

\*At the time of this printing, these certifications are pending. Please consult the factory, our Web site ([www.pelco.com](http://www.pelco.com)), or the most recent B.O.S.S.® update for the current status of certifications.

## ACCESSORIES

IX-SC	4-foot Sarix service cable; compatible with standard BNC connectors
-------	---

## RECOMMENDED MOUNTS

C10-UM	Universal camera mount
--------	------------------------

## RECOMMENDED ENCLOSURES

EH1512	Indoor/outdoor enclosure
EH3512	Outdoor enclosure
DF8	8-inch fixed mount dome

## RECOMMENDED LENSES

13M2.2-6	Megapixel lens, varifocal, 2.2–6.0 mm, f/1.3–2.0
13M2.8-8	Megapixel lens, varifocal, 2.8–8.0 mm, f/1.2–1.9
13M2.8-12	Megapixel lens, varifocal, 2.8–12.0 mm, f/1.4–2.7
13M15-50	Megapixel lens, varifocal, 15.0–50.0 mm, f/1.5–2.1

Pelco lenses have been designed and tested to deliver optimal image quality for the IXE20 Series camera. The use of standard definition lenses on IXE20 Series megapixel cameras will limit the resolution of the camera, creating poor image quality.

Field of View in Degrees		Aspect Ratio		
		16:9	4:3	5:4
2.2 mm	Horizontal	109	109	109
	Vertical	63	83	89
2.8 mm	Horizontal	89	89	89
	Vertical	48	66	70
6.0 mm	Horizontal	42	42	42
	Vertical	24	32	34
8.0 mm	Horizontal	32	32	32
	Vertical	18	24	25
12.0 mm	Horizontal	21	21	21
	Vertical	12	16	17
15.0 mm	Horizontal	16	16	16
	Vertical	9	12	13
50.0 mm	Horizontal	5	5	5
	Vertical	3	4	4

**Note:** For 800 x 600 (or lower) resolutions in 4:3 or 5:4 aspect ratios, the field of view is smaller than listed above. Refer to the Installation/Operation manual for details.

### Pelco, Inc. Worldwide Headquarters:

3500 Pelco Way, Clovis, California 93612-5699 USA

**USA & Canada** Tel: (800) 289-9100 • FAX: (800) 289-9150

**International** Tel: +1 (559) 292-1981 • FAX: +1 (559) 348-1120

[www.pelco.com](http://www.pelco.com)

Pelco, the Pelco logo, B.O.S.S., Digital Sentry, and Endura are registered trademarks of Pelco, Inc. Sarix is a trademark of Pelco, Inc.

All product names and services identified throughout this document are trademarks or registered trademarks of their respective companies. The absence of a trademark or registered trademark from this document does not constitute a waiver of intellectual property rights.

Product specifications and availability subject to change without notice.

©Copyright 2009, Pelco, Inc. All rights reserved.