

ID30 Series Sarix™ Network Indoor Fixed Dome

3.1 MEGAPIXEL HIGH DEFINITION INTEGRATED CAMERA

Product Features

- Up to 3.1 Megapixel Resolution (2048 x 1536)
- Up to 30 Images per Second (ips) at 1280 x 720
- Optional CS-Mount Lenses
- Auto Back Focus for High Precision Focusing
- Easy, Quick, One-Handed Installation
- H.264 and MJPEG Compression
- Day/Night Capability
- Sensitivity Down to 0.03 lux
- Power over Ethernet (IEEE 802.3af) or 24 VAC
- Video Setup Jack and Focus Button Accessible with Dome Closed
- Up to 2 Simultaneous Video Streams
- Web Viewing, up to 16 Cameras Simultaneously
- Local Storage (Micro SD) for Alarm Capture



- Open IP Standards
- Motion Detection
- Audio Accessory Available

The **ID30 Series with Sarix™** technology is a 3.1 megapixel (MPx) network indoor fixed dome camera designed with industry-leading image quality and high performance processing power. Designed to install quickly and easily, all of the post back-box installation and setup can be done with one hand.

Sarix technology defines the next generation of video security imaging performance, delivering high definition (HD) resolution, advanced low-light capabilities, consistent color science, and fast processing power. The H.264 compression video files are up to 20 times smaller making high definition video more affordable.

Fixed Dome Camera

The **ID30 Series** can be ordered with or without lenses. All models include a camera in an indoor enclosure that is ready to install. These cameras accept a wide range of megapixel varifocal CS-mount lenses.

The **ID30 Series** supports two simultaneous video streams. The two streams can be compressed in MJPEG and H.264 formats across several resolution configurations. The streams can be configured in a variety of frame rates, bit rates, and group of pictures (GOP) structures for additional bandwidth administration.

The **ID30 Series** is simple to install, and the automatic back focus control feature makes sharp scene focus setup easy. A convenient video setup jack eliminates the need to use a laptop for viewing video when installing the camera.

Web Interface

The **ID30 Series** uses a standard Web browser for powerful remote setup and administration. Up to 16 cameras can be viewed on the same network.

Video Systemization

The **ID30 Series** easily connects to Pelco IP and hybrid systems such as Endura® version 2.0 (or later) and Digital Sentry® version 4.3 (or later). The camera also features open architecture connectivity to third-party software. Pelco offers an application programming interface (API) that enables third-party systems to interface with Pelco's network cameras.



TECHNICAL SPECIFICATIONS

GENERAL

Imaging Device	1/3-inch (effective)
Imager Type	CMOS
Imager Readout	Progressive scan
Maximum Resolution	2048 x 1536
Signal-to-Noise Ratio	50 dB
Auto Iris Lens Type	DC drive
Electronic Shutter Range	1~1/100,000 sec
Wide Dynamic Range	60 dB
White Balance Range	2,000° to 10,000°K
Sensitivity	f/1.2; 2,850K; SNR >24 dB
Color (1x/33 ms)	0.5 Lux
Color SENS (15x/500 ms)	0.12 Lux
Mono (1x/33 ms)	0.25 Lux
Mono SENS (15x/500 ms)	0.03 Lux
Dome Attenuation	
Clear	Zero light loss
Smoked	f/1.0 light loss
Construction	
Back Box	Cast aluminum
Trim Ring	Polycarbonate plastic
Bubble	Acrylic plastic
Finish	White
Weight (without lens)	
Unit	2.0 lb (0.9 kg)
Shipping	6.0 lb (2.7 kg)
Available Languages	Chinese, English, French, German, Italian, Portuguese, Russian, Spanish, and Turkish

ELECTRICAL

Port	RJ-45 connector for 100Base-TX Auto MDI/MDI-X
Cable Type	Cat5 or better for 100Base-TX
Power Input	24 VAC or PoE (IEEE 802.3af class 3)
Power Consumption	<6 W
Current Consumption	
PoE	<200 mA maximum
24 VAC	<295 mA nominal; <390 mA maximum
Local Storage	Micro SD
Alarm Input	10 VDC maximum, 5 mA maximum
Alarm Output	0 to 15 VDC maximum, 75 mA maximum
Service Connector	External 3-connector, 2.5 mm provides NTSC/PAL video output
Accessory Port	Connects Pelco accessories

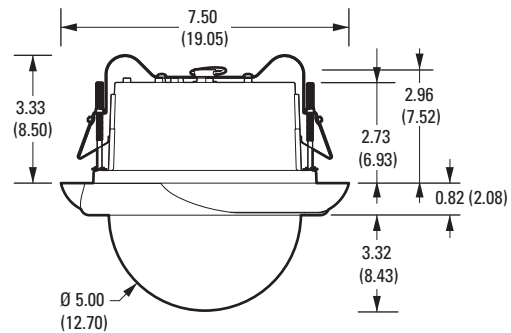
MECHANICAL

Lens Mount	CS mount, adjustable
Pan/Tilt Adjustment	
Pan	368°
Tilt	160° (10° to 170°)
Rotate	355°

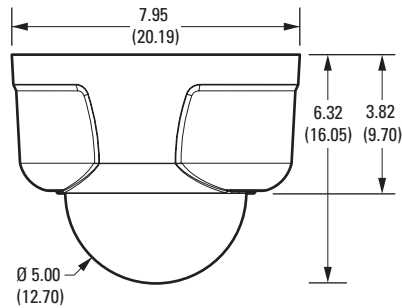
ENVIRONMENTAL

Operational Temperature	32° to 122°F (0° to 50°C)
Operational Humidity	20% to 80%, noncondensing

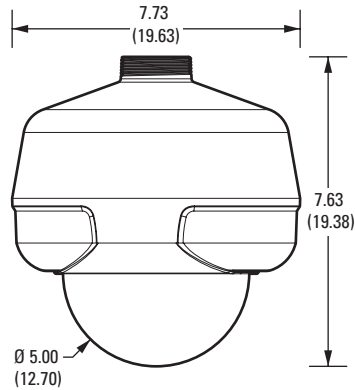
IN-CEILING



SURFACE MOUNT (Mounting Ring Included)



PENDANT (Mount Available as Accessory)



NOTE: VALUES IN PARENTHESES ARE CENTIMETERS;
ALL OTHERS ARE INCHES

TECHNICAL SPECIFICATIONS

VIDEO

Video Encoding	H.264 base profile and MJPEG
Video Streams	Up to 2 simultaneous streams; the second stream is variable based on the setup of the primary stream
Frame Rate	Up to 30, 25, 24, 15, 12.5, 12, 10, 8, 7.5, 6, 5, 4, 3, 2, 1 (dependent upon coding, resolution, and stream configuration)

Available Resolutions	Resolution				Maximum IPS	
	MPx	Width	Height	Aspect Ratio	MJPEG	H.264 Base Profile
	3.1	2048	1536	4:3	10 ips	3 ips
	2.1	1920	1080	16:9	15 ips	6 ips
	1.9	1600	1200	4:3	15 ips	6 ips
	1.3	1280	1024	5:4	20 ips	8 ips
	1.2	1280	960	4:3	20 ips	10 ips
	0.9	1280	720	16:9	30 ips	12.5 ips
	0.5	800	600	4:3	30 ips	25 ips
	0.3	640	480	4:3	30 ips	30 ips
	0.1	320	240	4:3	30 ips	30 ips

Additional Resolutions	640 x 512, 640 x 352, 480 x 368, 480 x 272, 320 x 256, and 320 x 176
Supported Protocols	TCP/IP, UDP/IP (Unicast, Multicast IGMP), UPnP, DNS, DHCP, RTP, RTSP, NTP, IPv4, SNMP, QoS, HTTP, HTTPS, LDAP (client), SSH, SSL, SMTP, FTP, MDNS (Bonjour)
Users	
Unicast	Up to 20 simultaneous users
Multicast	Unlimited users H.264
Security Access	Password protected
Software Interface	Web browser view and setup, up to 16 cameras
Pelco System Integration	Endura 2.0 (or later) or Digital Sentry 4.3 (or later)
Open IP Integration	Pelco IP camera API
Min. System Requirements	
Processor	Pentium® 4 microprocessor, 1.6 GHz
Operating System	Microsoft® Windows® XP, Windows Vista®, or Mac® OS X 10.4 (or later)
Memory	512 MB RAM
Network Interface Card	100 megabits (or greater)
Monitor	Minimum of 1024 x 768 resolution, 16- or 32-bit pixel color resolution
Web Browser	Internet Explorer® 7.0 (or later) or Mozilla® Firefox® 3.0 (or later)
Media Player	QuickTime® 7.55 (or later)

MODELS

MODELS

ID30DN-1	Sarix indoor fixed dome network camera, 3.1 megapixel, day/night, no lens, clear dome
ID30DN8-1	Sarix indoor fixed dome network camera, 3.1 megapixel, day/night, 2.8–8 mm varifocal megapixel lens, clear dome
ID30DN-0	Sarix indoor fixed dome network camera, 3.1 megapixel, day/night, no lens, smoked dome

CERTIFICATIONS/RATINGS/PATENTS

- CE, Class B
- FCC, Class B
- UL/cUL Listed
- C-Tick
- Patents Pending

ACCESSORIES

IX-SC	4-foot Sarix service cable; compatible with standard BNC connectors
IA-A	Audio adapter compatible with a USB 2.0 A to 5-pin mini-B cable; supplied with two USB extension cables: 1 ft (0.3 m) and 3 ft (0.9 m)
ID-CB	Plenum-rated conduit box
POE20U560G	Single port PoE injector

RECOMMENDED MOUNTS

ID-P	Pendant mount
SWM-WT	Wall mount for pendant
SWM-CAWT	Corner adapter for wall mount
SWM-PAWT	Pole adapter for wall mount

RECOMMENDED LENSES

13M2.2-6	Megapixel lens, varifocal, 2.2–6.0 mm, f/1.3–2.0
13M2.8-8	Megapixel lens, varifocal, 2.8–8.0 mm, f/1.2–1.9
13M2.8-12	Megapixel lens, varifocal, 2.8–12.0 mm, f/1.4–2.7
13M15-50	Megapixel lens, varifocal, 15.0–50.0 mm, f/1.5–2.1

Pelco lenses have been designed and tested to deliver optimal image quality for the ID30 Series megapixel camera. The use of standard definition lenses on the ID30 Series will limit the resolution of the camera, creating poor image quality.

Field of View in Degrees		Aspect Ratio		
		16:9	4:3	5:4
2.2 mm	Horizontal	109	109	109
	Vertical	63	83	89
2.8 mm	Horizontal	89	89	89
	Vertical	48	66	70
6.0 mm	Horizontal	42	42	42
	Vertical	24	32	34
8.0 mm	Horizontal	32	32	32
	Vertical	18	24	25
12.0 mm	Horizontal	21	21	21
	Vertical	12	16	17
15.0 mm	Horizontal	16	16	16
	Vertical	9	12	13
50.0 mm	Horizontal	5	5	5
	Vertical	3	4	4

Note: For 800 x 600 (or lower) resolutions in 4:3 or 5:4 aspect ratios, the field of view is smaller than listed above. Refer to the Installation/Operation manual for details.

Pelco, Inc. Worldwide Headquarters:

3500 Pelco Way, Clovis, California 93612-5699 USA

USA & Canada Tel: (800) 289-9100 • FAX: (800) 289-9150

International Tel: +1 (559) 292-1981 • FAX: +1 (559) 348-1120

www.pelco.com

Pelco, the Pelco logo, B.O.S.S., Digital Sentry, and Endura are registered trademarks of Pelco, Inc.

Sarix is a trademark of Pelco, Inc.

All product names and services identified throughout this document are trademarks or registered trademarks of their respective companies. The absence of a trademark or registered trademark from this document does not constitute a waiver of intellectual property rights.

Product specifications and availability subject to change without notice.

©Copyright 2009, Pelco, Inc. All rights reserved.