



# HS8000/HS8013 Enclosure

## HIGH SECURITY, INDOOR/OUTDOOR, WALL/CEILING/CORNER MOUNT

### Product Features

- Vandal Resistant
- Indoor/Outdoor
- All-Steel Construction (10-Gauge)
- Speaker Grill Included
- 3 Window Ports to Choose From
- Primarily Intended for Wall Applications (Can Be Adapted for Corner or Ceiling Applications with Optional Mount)
- Tamper Switch Standard Feature



HS8000 ENCLOSURE



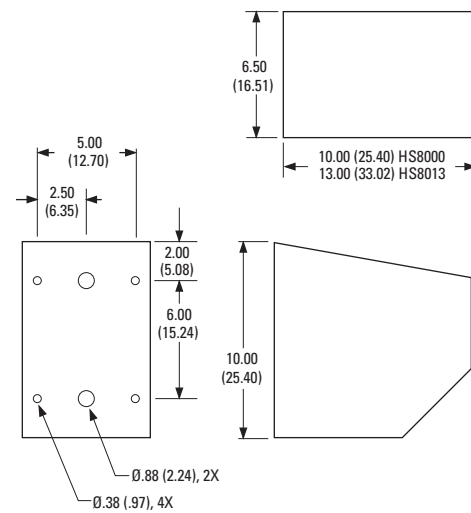
HS8013 ENCLOSURE

The **HS8000** and **HS8013** are high security enclosures constructed from heavy gauge steel and designed for installations such as prisons, detention cells, etc., requiring maximum protection from vandalism.

The **HS8000** will accept most CCD cameras with fixed focal length lenses. The **HS8013** body has an added depth of three inches and will accommodate longer camera and lens combinations positioned at a steeper angle. There is no exposed mounting hardware securing the enclosure to its mounting surface. Opening the enclosure can only be accomplished with a specially designed tool (supplied), eliminating the possibility of the enclosure being opened by unauthorized persons.

Designed primarily for wall applications, the **HS8000/HS8013** features a Lexan® window, speaker grill for four-inch square speaker, and blank filler plate. The unit is factory shipped for wall applications with the window installed in the uppermost position. The window, speaker grill and filler plate can be easily removed and repositioned according to your application requirements.

Optional accessories include a corner mounting bracket, 120/24 VAC heater kit for low temperature operation, and a ceiling adapter (for **HS8000** only) that gives the enclosure the appearance of being mounted flush with the ceiling.



NOTE: VALUES IN PARENTHESES ARE CENTIMETERS; ALL OTHERS ARE INCHES.



DataFAX  
SPEC: 2480  
MANUAL: 24806

C480 / REVISED 10-02



# TECHNICAL SPECIFICATIONS

## MODELS

HS8000	High security camera enclosure constructed from heavy gauge steel
HS8013	Same as HS8000 except enclosure is made 3 inches (7.62 cm) deeper to accommodate a longer camera and lens

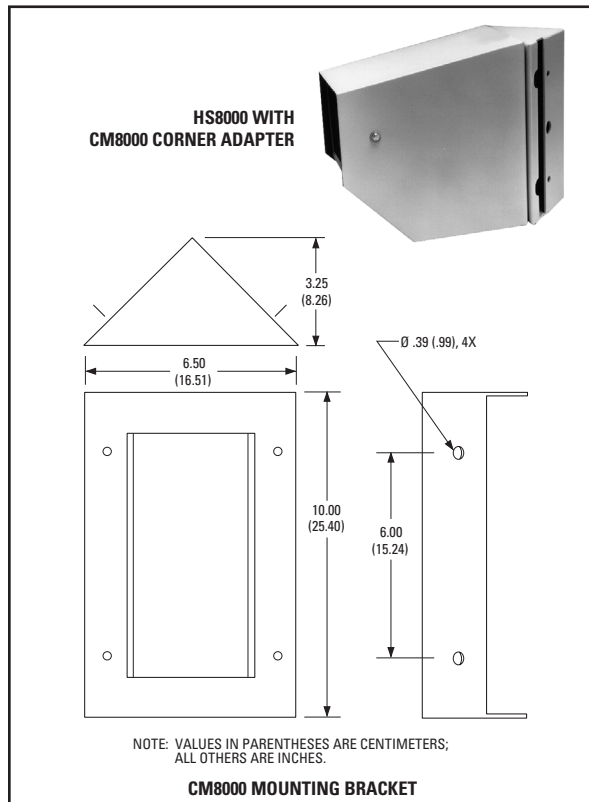
## MECHANICAL

Camera Mounting and Lens Size	Adjustable tilt table
	Accepts camera and lens combinations* (including BNC connector) up to:
HS8000	4" H x 4" W x 8" L (10.16 x 10.16 x 20.32 cm)
HS8013	4" H x 4" W x 11" L (10.16 x 10.16 x 27.94 cm)
Cable Entry	Two .875-inch (2.22 cm) diameter holes on flat mounting surface
Viewing Window	0.50-inch (12.7 mm) thick Lexan®
Viewing Window Area	3.75" H x 4.00" W (9.52 x 10.16 cm)
Enclosure Mounting	Four 0.39-inch (0.99 cm) diameter holes on protected rear surface
Security	Tamper-resistant screws (hollow Allen wrench supplied)
Tamper Switch	Plunger type door switch with "pull-to-cheat" feature. DM electrical rating 10A, 125 VAC. N.O./N.C. switch contact

\*Assumes lens is fully extended.

## ELECTRICAL

Electrical Connection	Six-position terminal block supplied
Tamper Switch	0.25-inch (0.63 cm) quick connect. N.O./N.C. 10A maximum switching current 125 VAC maximum switching voltage



## GENERAL

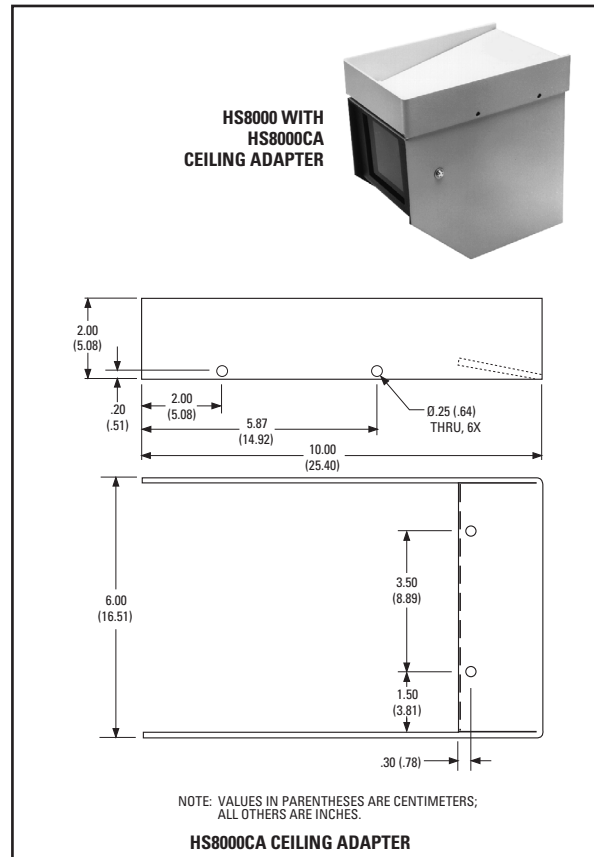
Construction	0.134-inch (3.40 mm) thick, seam-welded 10-gauge steel
Finish	Gray polyester powder coat (body) with black trim around window ports
Unit Weight	
HS8000	22 lb (9.9 kg)
HS8013	25 lb (11.39 kg)
Shipping Weight	
HS8000	23 lb (10.4 kg)
HS8013	27 lb (12.11 kg)

## CERTIFICATIONS/RATINGS

- UL Listed (HS8000 only)
- CE compliant (HK8000 and HK8024 only)
- Meets NEMA Type 3R standards

## OPTIONAL ACCESSORIES

CM8000	Corner mounting bracket
HK8000	120/230 VAC, 80W, thermostatically controlled heater kit. Activates on at 40°F (4°C) and off at 60°F (16°C)
HK8024	Same as HK8000 except 24 VAC
HS8000CA	Ceiling adapter plate (for use with HS8000 only)



**Pelco Worldwide Headquarters:**  
3500 Pelco Way, Clovis, California 93612-5699 USA  
**USA & Canada** Tel: (800) 289-9100 • FAX (800) 289-9150 • DataFAX (800) 289-9108  
**International** Tel: (559) 292-1981 • FAX (559) 348-1120 • DataFAX (559) 292-0435  
[www.pelco.com](http://www.pelco.com)

Lexan® is a registered trademark of the General Electric Company.  
Specifications subject to change without notice.  
©Copyright 2002, Pelco. All rights reserved.