



# HS3000/HS3020 Enclosure

## HIGH SECURITY, INDOOR, CEILING/WALL MOUNT

### Product Features

- Indoor Applications
- All-Steel Construction (14-Gauge)
- Wall or Ceiling Mounting
- 2 Window Ports to Choose From
- No Exposed Mounting Hardware
- Tamper-Proof Fasteners Secure Enclosure
- Tamper Switch Standard Feature

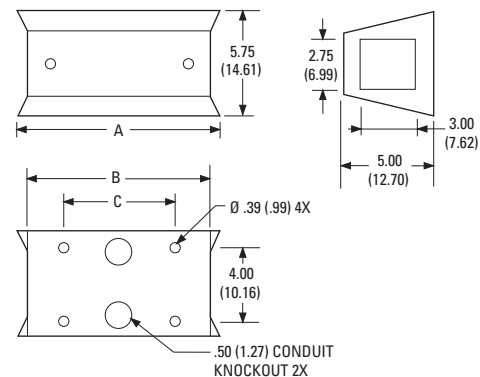


The **HS3000/HS3020** are high security camera enclosures designed for installations such as ATM bank machines, prisons, detention cells, etc., requiring maximum protection from vandalism.

Constructed from medium gauge steel, the enclosure is available in 10-inch (25.40 cm) and 20-inch (50.8 cm) lengths. Both enclosures will accept most cameras with fixed focal and varifocal length lenses. There is no exposed mounting hardware securing the enclosure to its mounting surface. Opening the enclosure can be accomplished only with a specially designed tool, eliminating the possibility of the enclosure being opened by unauthorized personnel. A factory-installed tamper switch is mounted on the secured access cover.

Designed to function as a wall or ceiling enclosure, the **HS3000/HS3020** is versatile because it allows you to re-position the window to the opposite end of the enclosure should the viewing area requirements change. An impact-resistant, 0.25-inch (6.35 mm) thick, smoked Lexan® window is supplied with the enclosure for discreet surveillance.

An optional metal frame adapter (**HS3020CA**) with conduit knockouts is available for surface mounted conduit applications (for use with **HS3020** only). Other options (for both enclosures) include a clear Lexan® window and 120 VAC or 24 VAC heater kit.



MODEL	A	B	C
HS3000	11.00 (27.94)	10.00 (25.40)	6.00 (15.24)
HS3020	21.00 (53.34)	20.00 (50.80)	12.00 (30.48)

NOTE: VALUES IN PARENTHESES ARE CENTIMETERS; ALL OTHERS ARE INCHES.

# TECHNICAL SPECIFICATIONS

## MODELS

HS3000	High security camera enclosure, 10-inch (25.40 cm) lower body length, constructed from heavy gauge steel
HS3020	Same as HS3000 except 20-inch (50.8 cm) lower body length

## MECHANICAL

Camera Mounting	Adjustable tilt table
Maximum Camera and Lens Size	Accepts camera and lens combinations* (including BNC connector) up to:
HS3000	3.75" H x 3.25" W x 9.00" L (9.52 x 8.25 x 22.86 cm)
HS3020	3.75" H x 3.25" W x 18.00" L (9.52 x 8.25 x 45.72 cm)
Window Viewing Area	2.75" H x 3.00" W (6.99 x 7.62 cm)
Enclosure Mounting	Four 0.39-inch (0.99 cm) diameter holes on protected rear surface
Cable Entry	Three 0.50-inch (1.27 cm) cable knock-out holes; two on flat mounting surface and one on end opposite viewing window
Security	Two tamper-resistant screws (hollow Allen wrench supplied)
Tamper Switch	Plunger type door switch with "pull-to-cheat" feature

\*Assumes lens is fully extended.

## ELECTRICAL

Tamper Switch	0.25-inch (0.63 cm) quick connect N.O./N.C. 10A maximum switching current 125 VAC maximum switching voltage
---------------	---

## GENERAL

Window	Smoked (1 f-stop attenuation), 0.25-inch (6.35 mm) thick Lexan®
Construction	0.074-inch (1.87 mm) thick, seam-welded 14-gauge steel
Finish	Gray polyester powder coat
Environment	Indoor; 32° to 120°F (0°C to 49°C)
Weight	
HS3000	7.36 lb (3.34 kg)
HS3020	12.21 lb (5.54 kg)
Shipping Weight	
HS3000	9 lb (4.07 kg)
HS3020	14 lb (6.34 kg)

## CERTIFICATIONS/RATINGS

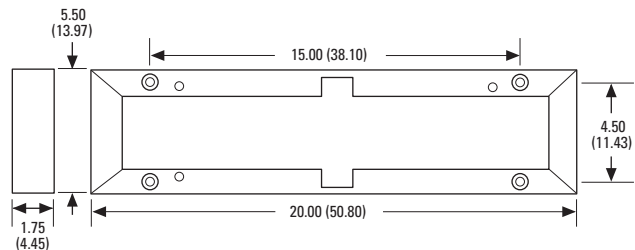
- UL Listed
- CE compliant (HKHS3024 only)
- Meets NEMA Type 1 standards

## OPTIONAL ACCESSORIES

<b>Heater Kit</b>	HKHS3000	Heater kit, 120 VAC, 30W Thermostatically controlled on at 40°F (4°C) and off at 60°F (15°C)
<b>Ceiling/Wall Adapter</b>	HKHS3024 HS3020CA	Same as HKHS3000 except 24 VAC Ceiling/wall adapter for HS3020 enclosure only. Includes knockouts on both sides for 3/4-inch (1.91 cm) or 1-inch (2.54 cm) conduit fittings
<b>Other</b>	AH300010025	Clear window, 0.25-inch (6.35 mm) thick Lexan®



HS3020CA CEILING ADAPTER



NOTE: VALUES IN PARENTHESES ARE CENTIMETERS; ALL OTHERS ARE INCHES.



**Pelco Worldwide Headquarters:**  
3500 Pelco Way, Clovis, California 93612-5699 USA  
**USA & Canada** Tel: (800) 289-9100 • FAX (800) 289-9150 • DataFAX (800) 289-9108  
**International** Tel: (559) 292-1981 • FAX (559) 348-1120 • DataFAX (559) 292-0435  
[www.pelco.com](http://www.pelco.com)

Lexan® is a registered trademark of the General Electric Company.  
Specifications subject to change without notice.  
©Copyright 2002, Pelco. All rights reserved.