



## PRODUCT SPECIFICATION

# HS2100 Enclosure

### HIGH SECURITY, LOW PROFILE CEILING MOUNT

#### Product Features

- Low Profile, Small "Wedge" Style
- Designed for Use with CCD Type Cameras
- For Use in Fixed or Dropped (False) Ceilings
- Hinged Door Opens for Convenient Access to Camera
- Constructed from Aluminum (Upper Section) and Steel (Lower Section)

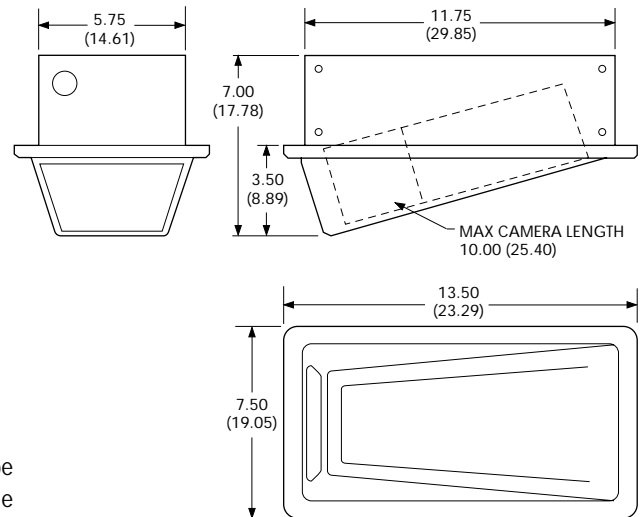


The **HS2100** is a low profile ceiling enclosure designed for use with solid-state CCD cameras. The unobtrusive, compact design compliments any business or office decor and provides maximum surveillance for fixed camera applications.

The enclosure is designed for use in fixed or dropped (false) ceilings. The upper section mounted above the ceiling is constructed from aluminum; the lower section is constructed from steel to provide maximum protection and durability.

Because of the lightweight design, the enclosure can be mounted directly on a ceiling tile without the use of an additional mounting plate. Pelco offers an optional 360-degree rotating mounting plate (**E2100**) for false ceiling applications, which allows the enclosure to be rotated in 10-degree increments to change the viewing area.

The **HS2100** is engineered for ease of installation and service. The lower section is hinged to provide convenient access for camera and lens adjustments. The adjustable camera mount allows the camera to be positioned vertically or horizontally, depending on the camera size. A tamper-resistant screw secures the enclosure cover.



NOTE: VALUES IN PARENTHESES ARE CENTIMETERS; ALL OTHERS ARE IN INCHES.

ENCLOSURE

HIGH SECURITY



International Standards Organization Registered Firm ISO 9001 Quality System



# TECHNICAL SPECIFICATIONS

## MODEL

HS2100 Low profile, high security enclosure for use in ceiling applications

## MECHANICAL

Camera Mounting	Adjustable bracket capable of supporting a maximum of 10 lb (4.53 kg)
Maximum Camera and Lens Size	Accepts camera and lens combinations (including BNC connector) up to: 3.00" H x 4.00" W x 10.00" L (7.62 x 10.16 x 25.40 cm)
Viewing Window Area	4.00" W x 2.25" H (10.16 x 5.72 cm)
Ceiling Mounting	Upper section flange-mounted to fixed ceiling or ceiling tile. Ceiling support rails provided.
Cable Entry	Two conduit knockouts on upper back box
Lock	Tamper-resistant screw (tool for removing screw supplied)

## GENERAL

Construction	Upper section Lower section	Aluminum .074-inch (1.88 mm) thick, seam welded 14 gauge steel
Viewing Window Color	Upper section Lower section	.25-inch (6.35 mm) thick, LEXAN® Alodine White polyester powder coat
Environment		Indoor; 32° to 120°F (0° to 48.89°C)
Unit Weight	HS2100 E2100	5.30 (2.41 kg) 3.66 lb (1.66 kg)
Shipping Weight	HS2100 E2100	7 lb (3.17 kg) 6 lb (2.71 kg)

## CERTIFICATIONS/RATINGS

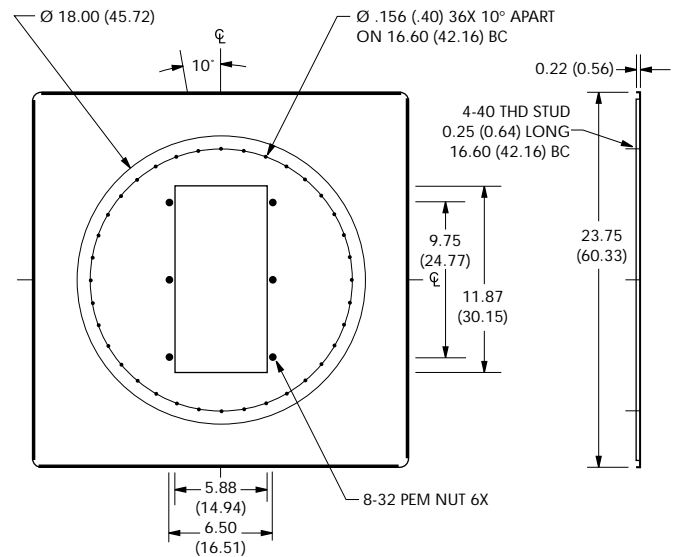
◆ NEMA 1

## OPTIONAL ACCESSORIES

E2100 360° rotating mounting plate; rotates in 10° increments and features "locking" capability to secure enclosure positioning. Replaces 2-ft x 2-ft (60.96 cm x 60.96 cm) ceiling tile; can be used in 2-ft x 4-ft (60.96 cm x 121.92 cm) ceiling tile with additional "T" rail for support. Constructed of aluminum with textured white polyester powder coat finish



E2100 MOUNTING PLATE



NOTE: VALUES IN PARENTHESES ARE CENTIMETERS; ALL OTHERS ARE IN INCHES.

Indicates change or addition since last revision.

LEXAN® is a registered trademark of the General Electric Company. Specifications subject to change without notice. ©Copyright 2000, Pelco. All rights reserved.