



PRODUCT SPECIFICATION

EH3010/EH3014 Enclosure INDOOR, SMALL



Product Features

- Low Cost
- Indoor Applications
- Can be used with Fixed Mount or Pan/Tilt
- Easy Access for Service and Installation
- Use with Solid-State CCD Type Cameras

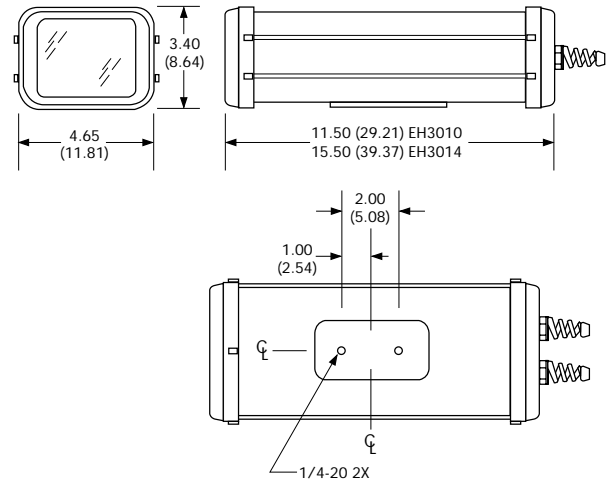


EH3010 ENCLOSURE

The **EH3010** and **EH3014** are low cost, indoor camera enclosures specifically engineered for use with solid-state CCD type cameras with fixed focal length lenses and attractively designed to compliment any decor.

The **EH3000 Series** is engineered for ease of installation and service. The removable rear cap provides easy access to the slide-out platform on which the camera is mounted. The adjustable glands on the rear cap allow for easy installation of the power and video cables. The removable front cap allows manual lens adjustments to be made without removing the camera.

The **EH3010/EH3014** can be used for fixed mount applications or mounted to a light duty pan/tilt such as our PT280 Series.



NOTE: VALUES IN PARENTHESES ARE CENTIMETERS; ALL OTHERS ARE IN INCHES.

ENCLOSURES

INDOOR



International Standards Organization Registered Firm ISO 9001 Quality System



TECHNICAL SPECIFICATIONS

MODELS

EH3010	Indoor extruded aluminum enclosure, 11.50-inch (29.21 cm) length
EH3014	Indoor extruded aluminum enclosure, 15.50-inch (39.37 cm) length

MECHANICAL

Camera Mounting Maximum	Multiple holes on camera sled
Camera and Lens Size	Accepts camera and lens combinations (including BNC connector) up to:
EH3010	2.75" H x 3.75" W x 8.00" L (6.98 x 9.52 x 20.32 cm)
EH3014	2.75" H x 3.75" W x 12.00" L (6.98 x 9.52 x 30.48 cm)
Viewing Window	.125" (3.17 mm) thick Lucite® SAR (Super Abrasion Resistant) acrylic
Viewing Window Area	2.50" (6.35 cm) x 3.50" (8.89 cm)
Cable Entry	Two compression glands on rear cap

GENERAL

Construction	Extruded aluminum body; injection molded black ABS plastic end caps
Finish	Gray polyester powder coat
Environment	Indoor; 32° to 120°F (0° to 48.89°C)
Unit Weight	
EH3010	2.27 lb (1.03 kg)
EH3014	3.04 lb (1.38 kg)
Shipping Weight	
EH3010	4 lb (1.81 kg)
EH3014	5 lb (2.26 kg)

CERTIFICATIONS/RATINGS

- ◆ CE, Class B
- ◆ UL listed to Standard 2044

RECOMMENDED MOUNTS

Ceiling/Pedestal

CM4400	Light duty ceiling mount. Max. load 15 lb (6.79 kg). (See C244 spec)
EM1009U/EM1015U	Medium duty ceiling/pedestal mount. Max. load 40 lb (18.12 kg). (See C202 spec)
EM3000	Ceiling "J" mount; max. load 20 lb (9.06 kg) (See C262 spec)

Wall

EM1400	Light duty wall mount. Max. load 20 lb (9.06 kg). (See C260 spec)
EM1900U	Medium duty wall mount. Max. load 40 lb (18.12 kg). (See C202 spec)
EM2400	Light duty wall mount. Max. load 20 lb (9.06 kg). (See C260 spec)
EM4400	Light duty wall mount. Max. load 15 lb (6.79 kg). (See C244 spec)

Pipe/Pole

EM1109	Medium duty pedestal mount for horizontal or vertical pipe or pole applications. Max. load 40 lb (18.12 kg). (See C207 spec)
EM2000	Medium duty mount for vertical pipe or pole applications. Max. load 40 lb (18.12 kg). (See C207 spec)
EM2200	Medium duty mount for horizontal pipe or pole applications. Max. load 40 lb (18.12 kg). (See C207 spec)

RECOMMENDED PAN/TILT

PT280 Series	Light duty pan/tilt, 24 VAC. Maximum load 15 lb (6.81 kg). (See C324 spec)
--------------	--

■ Indicates change or addition since last revision.