

**Colour/Mono IP66  
Bullet Camera with IRLEDs**

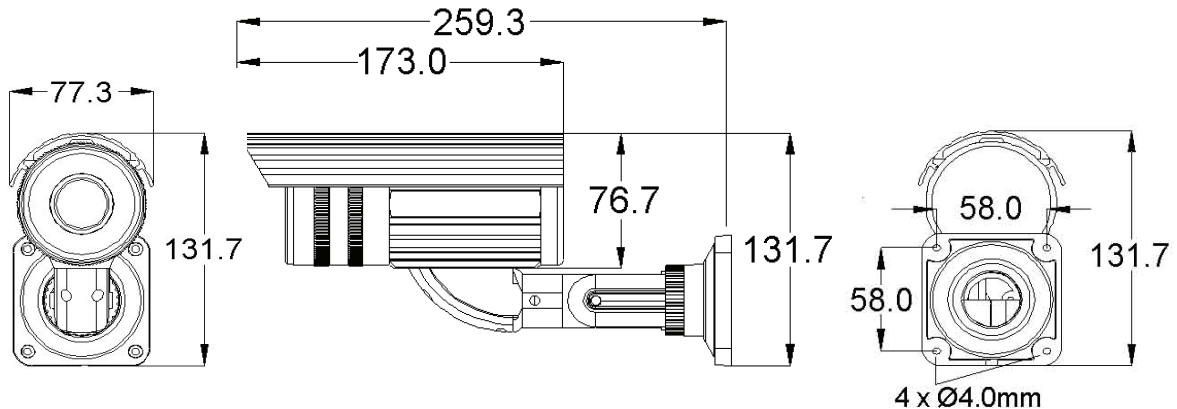
- 1/3" Sony Super HAD II CCD
- 600 TVL resolution
- IP66 weather-resistant
- Easy plug and play installation
- Full On Screen Display (OSD) with easy-access controls under rear panel of camera
- Electronic software colour/mono control
- Digital Wide Dynamic Range
- 2nd video output under rear panel
- 4-9mm varifocal DC auto iris lens
- Focus and zoom controls under rear panel
- Adjustable 850nm IRLED illumination to 25m\*
- 12vDC low power - 200 mA/450 mA (IR on)
- Integral cable-managed 3-axis bracket



\*For critical viewing applications additional lighting may be required

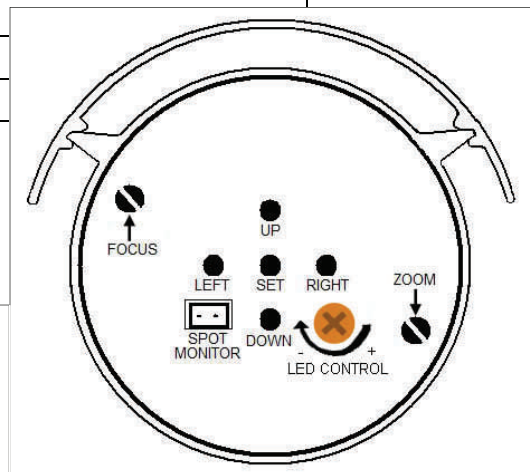
Mode	Sensor	Resolution	Sensitivity	Power	Features	ORDER CODE
Col/Mono	1/3" CCD	600TVL	0.02/0.002 lux col/mono	200/450mA IR off/on	3-axis cable-protection bracket	<b>PCM690L</b>
Recommended 1000mA power supply						<b>PSU1210R</b>

Dimensions in mm



### SPECIFICATION

Model	<b>PCM690L</b>
Pick-up device	1/3"SONY Super HADII CCD
Effective pixels	NTSC:768x494, PAL:752x582
Resolution	600TVL
Min. illumination	Color:0.02 lux/F1.2; B/W:0.002 lux/F1.2;0 lux (IR ON)
System	Internal
	2:1 Interlace
	PAL
S/N ratio	>50dB
Lens	4-9mm DC Auto Iris
IR distance	25M* (IR Leds:36 x Φ5) - adjustable
Water resistance	IP66
Electronic shutter	Auto/ Anti-flicker/ Manual
D-WDR	OFF/ON (0-63 level adjustable)
BLC	HLC/ BLC/ OFF
White balance	ATW1/ ATW2/ MANUAL/ FIXED
2D DNR	ON/OFF
Day & Night	Auto/ BW/ Color/ EXT
Motion detection	Off/ On (4 areas)
Privacy zones	Off/ On (8 areas)
Mirror	Off/ On (horizontal mirror)
Image adjustment	Contrast/ Sharpness/ Saturation
AGC	High/ Middle/ Low/ Off
Gamma	0.45/ Custom (0.05-1.0)
OSD menu	Simplified Chinese/ English
Other	Constant current IR LED PCB, adjustable IR level, cable in 3-axis bracket
Video output	1.0Vp-p Composite Video Output, 75Ω
Power supply	DC12V
Power	200mA/ 450mA (IR on)
Operation temp	-20°C ~ +50°C



- OSD Controls
- Focus and Zoom adjustment screws
- 2nd Video Output