

Panasonic

ideas for life

LCD AV Monitors

WV-LD1500 38.1cm (15")
WV-LD2000 50.8cm (20")



Brighter, Faster, Higher Performance LCD Monitors from Panasonic

Panasonic announces two new LCD monitors equipped with VGA panels that combine brightness with ultra fast response time.

Typical response time is 8ms, minimizing the residual image characteristic of earlier LCDs and making even the quickest movements crisp and clear. The WV-LD1500's 176° (H) x 176° (V) viewing angle keeps colours vivid and contrast sharp when images are viewed from all angles. Horizontal resolution is 450 TV lines. Both monitors accept composite video and S-Video inputs, and switch automatically between PAL and NTSC formats.

The analogue RGB input allows these monitors to be used with PCs, providing full support for VGA (640 x 480) images. Both PC window size and position are adjustable. Additional features include audio input and output jacks and built-in speakers with 1.5W amplifier.

Set-up and adjustments are simple, using either front-panel buttons or on-screen menus in any of eight languages. Only 86mm* thick, these monitors can either be placed on desktops or hung on walls using locally supplied standard VESA brackets. The security slot in the back of the display supports industry-standard theft prevention measures.

The supplied power adapter adjusts automatically to

100V - 240V AC power sources. Compared to CRT's, these monitors are durable, energy efficient, and offer significant space savings.

The WV-LD1500/WV-LD2000 high quality monitors are economical and ideal for a wide variety of security applications.

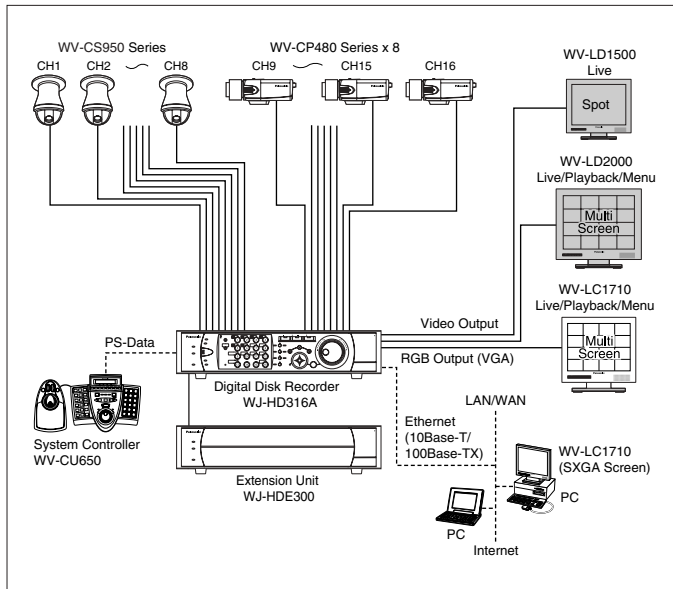
(*Excluding the stand)

KEY FEATURES

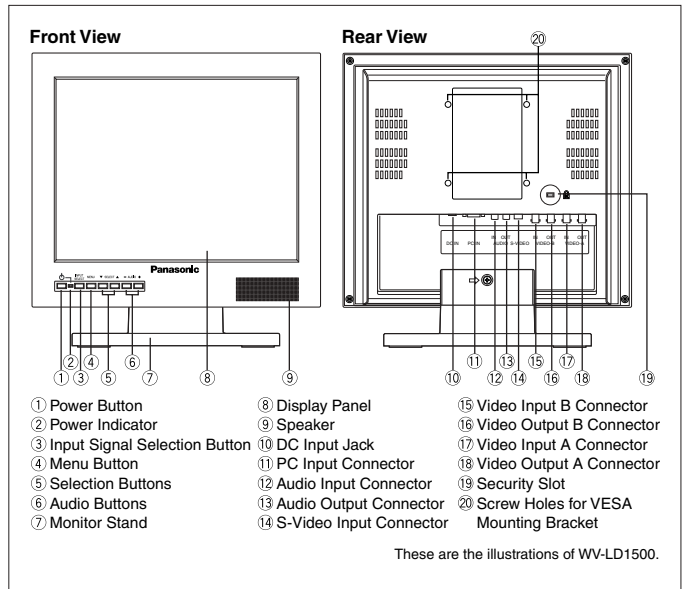
- Screen size: WV-LD1500 38.1cm (15") TFT LCD
WV-LD2000 50.8cm (20") TFT LCD
- Rapid response time of 8ms (Typical).
- Screen resolution: 640 x 480 (VGA).
- Horizontal resolution: 450 TV lines.
- High contrast, 176° (H) x 176° (V) wide field of view (WV-LD1500).
- Automatically switches between PAL and NTSC formats.
- Three (3) terminals: Composite, S-Video and RGB for PC input.
- 2ch. BNC composite input with loop throughout.
- Max. 1.5W speaker output.
- Picture setup and adjustment using on-screen menus and front-mounted buttons.
- Setup menus can be displayed in eight (8) languages: English, French, German, Spanish, Italian, Chinese, Russian and Japanese.
- Durable, light weight plastic construction.
- Wall-mountable using locally supplied standard VESA mounting bracket (optional).
- Power supply: 100V - 240V AC with AC adapter.

Note: All TV pictures are simulated.

SYSTEM EXAMPLE



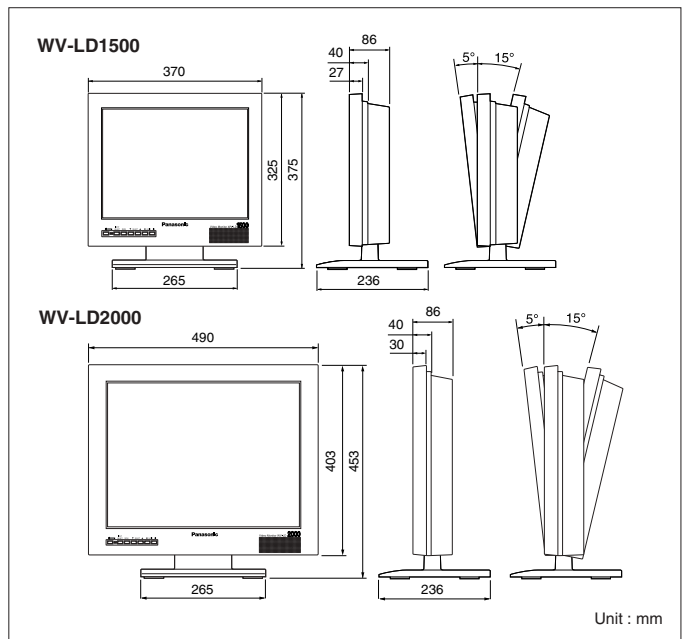
MAJOR OPERATING CONTROLS & TERMINALS



SPECIFICATIONS

Model No.	WV-LD1500	WV-LD2000
Power Supply	100 V - 240 V AC, 50/60 Hz (using the supplied AC adapter)	
Power Consumption (including the supplied AC adapter)	45 W	52 W
Display Panel (Built-in dual CCFT's)	38.1 cm (15") TFT LCD	50.8 cm (20") TFT LCD
Display Area (H x V)	305.28 mm x 228.96 mm (12" x 9")	408 mm x 306 mm (16" x 12")
Display Pixel	640 x 480 (VGA)	
Aspect Ratio	4 : 3	
Brightness	400 cd/m ² (Typical)	
Contrast Ratio	800 : 1 (Typical)	500 : 1 (Typical)
Display Colors	Approx. 16,000,000	
Viewing Angle (L-R/U-D)	176°/176°	160°/140°
TV Mode	Composite Video Input, Y/C Video Input: PAL/NTSC (Auto)	
Horizontal Resolution	450 or more TV lines	
Video Input (VIDEO-A IN, VIDEO-B IN)	1.0 V [p-p] / 75 Ω, composite video signal, BNC connectors x 2	
Video Output (VIDEO-A OUT, VIDEO-B OUT)	Auto-termination loop-thru, BNC connectors x 2	
S-Video Input (S-VIDEO IN)	Y=1.0 V [p-p] / 75 Ω, C= 0.3 V [p-p] / 75 Ω, Mini DIN jack	
PC Input (PC IN)	RGB, 0.7 V [p-p] / 75 Ω, Horizontal and vertical timing pulse: TTL, 15-pin Mini D-sub connector	
Speaker Output	1.5 W	
Audio Input	-8 dB / Hi-Z, RCA pin jack	
Audio Output	Loop-thru output, RCA pin jack	
Ambient Operating Temperature	0 °C - +40 °C	
Ambient Storage Temperature	-20 °C - +65 °C	
Ambient Operating Humidity	Less than 90 %	
Screw Holes for VESA Mounting Bracket	100 mm pitch, VESA standard	
Dimensions (W x H x D) (including the monitor stand)	370 mm x 375 mm x 236 mm	490 mm x 453 mm x 236 mm
Weight (including the monitor stand)	5.12 kg	8.89 kg

APPEARANCE



OPTIONAL COMPONENTS & ACCESSORIES

<p>Super Dynamic III Colour Dome Cameras WV-CS950 Series</p>	<p>Weather Proof Super Dynamic III Colour Dome Cameras WV-CW960 Series</p>	<p>Vandal Proof Super Dynamic II Colour Dome Cameras WV-CW470A Series</p>	<p>Super Dynamic III Colour Surveillance Cameras WV-CP480 Series</p> <p>(Lens: optional)</p>	<p>Digital Disk Recorders WJ-HD316A (16ch) WJ-HD309A (9ch)</p>	<p>Matrix System SYSTEM650</p>
<p>System Controller WV-CU650</p>					

Important – Safety Precaution: carefully read the operating instructions and installation manual before using this product.

• All TV pictures are simulated. • Weights and dimensions are approximate. • Specifications are subject to change without notice. • These products may be subject to export control regulations.

DISTRIBUTED BY:

Panasonic

Panasonic is the brandname of Matsushita Electric.

Printed in Japan

WW-JKLD1500T(2N-758)