



SDIII
Super Dynamic

Superb Image Quality with Added Intelligence

The new Panasonic WV-CS950 Series *Super Dynamic III* dome camera is equipped with a 30x optical zoom lens. Combined with a 10x digital zoom, for a total zoom capability up to 300x, this camera can identify distant subjects.

With its Pixel Based 160x Dynamic Range, the WV-CS950 Series works beautifully even when contrast changes from scene to scene. Area free natural contrast image correction ensures accurate reproduction, whatever the subject. Horizontal resolution is also significantly higher, 540 lines (typical) in colour or 570 lines in B/W. Plus, images stay clear and sharp in lighting as low as 0.5 lux (in colour) and 0.04 lux (in B/W). Adaptive Digital Noise Reduction eliminates streaking from objects such as headlights. Its 0.065°/sec. ultra slow speed fine control and powerful zoom let you zoom in smoothly on your subject. Whatever the situation, WV-CS950 Series offers dramatic improvement in subject identification.

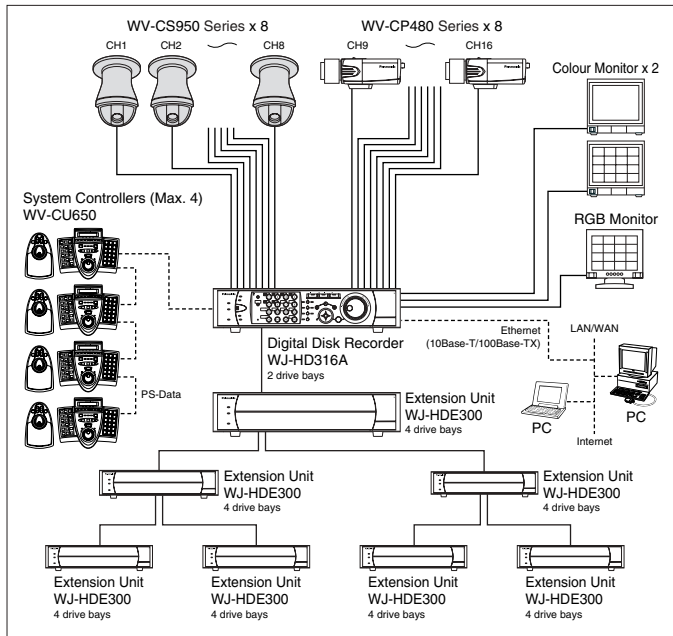
Additional intelligent features include Auto Image Stabilizer to eliminate blurring if the camera is shaken. Scene Change Detection to send the alarm signal if the camera is interfered with, Auto Tracking of intruders, and 256 preset positions.

Combining extraordinary image quality with added intelligence, the WV-CS950 Series brings unprecedented reliability to 24-hour surveillance.

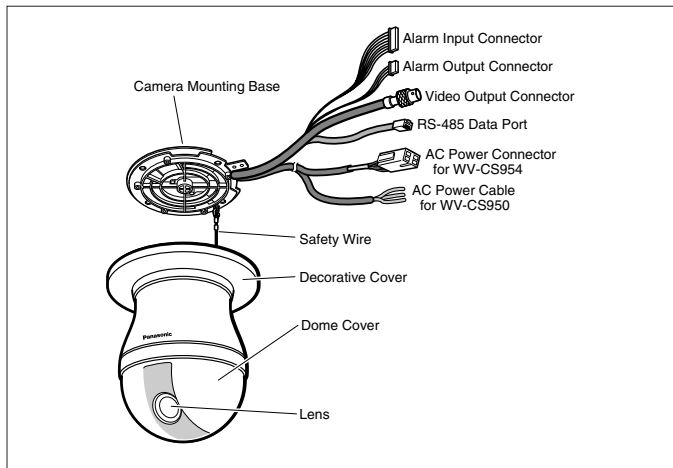
KEY FEATURES

- All-in-one colour surveillance dome camera unit.
- The new Pixel Based 160x Dynamic Range with area free natural contrast image correction adjusts moment-to-moment changes in contrast to view subjects accurately in all areas and positions.
- Higher horizontal resolution of 540-line (typical) at colour mode, and 570-line at B/W mode.
- Minimum illumination of 0.5 lux at colour mode, and 0.04 lux at B/W mode (Sens. up; off, AGC High).
- Innovative intelligent features:
 - *Auto image stabilizer function for applications where vibration or wind is a concern, e.g. passing vehicles.
 - *Scene change detection alarms when lens is covered, spray painted, removed, defocused or camera angle is changed.
 - *Auto tracking function tracks moving objects and keeps them centred in the field of view. Perfect for restricted areas and after hour applications.
- Day/Night operation can be selected to automatically or manually switch from colour to B/W.
- Privacy zone masking function.
- Linear 32x electronic sensitivity enhancement function.
- Digital motion detector.
- 30x optical zoom lens (3.8 - 114 mm at F1.4) plus 10x electronic digital zoom for total zoom capacity of 300x.
- Auto focus lens.
- Digital-FLIP by memory allows automatic 180° turn.
- Patrol Learn function (8 zone total).
- Auto panning function with 256 preset positions.
- 360° endless panning.
- Panning speed of max. 400°/s at preset mode and 0.065°/s super fine control at manual mode.
- Image Hold function during panning.
- Multiplex-coaxial or RS-485 data communication.
- Four (4) alarm inputs and two (2) outputs terminals.
- 16 alphanumeric character display.
- Internal/Line-lock/Multiplexed Vertical Drive (VD2) synchronization.
- Optional smoked dome cover, ceiling and wall mounts brackets are available for various applications.

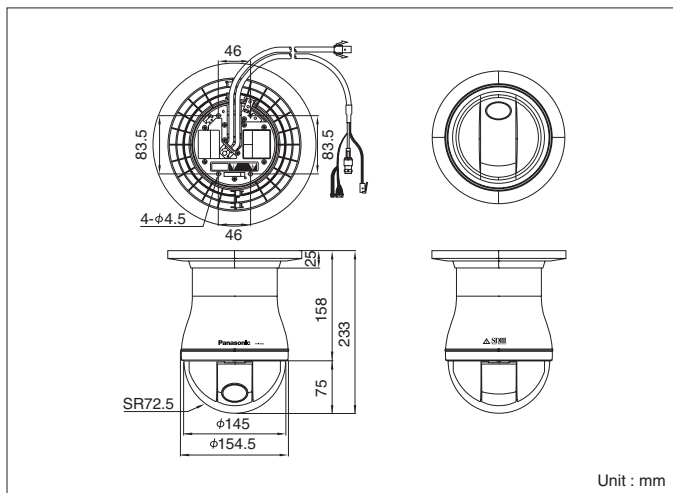
SYSTEM EXAMPLE



MAJOR OPERATING CONTROLS & TERMINALS



APPEARANCE



Important – Safety Precaution: carefully read the operating instructions and installation manual before using this product.






• Weights and dimensions are approximate. • Specifications are subject to change without notice. • These products may be subject to export control regulations.

DISTRIBUTED BY:

SPECIFICATIONS [PAL] [CCIR]

Model No.	WV-CS950	WV-CS954
General		
Pick-up Device	1/4-type interline transfer CCD	
Effective Pixels	752 (H) x 582 (V)	
Scanning Area	3.6 mm (H) x 2.7 mm (V)	
Signal	PAL/CCIR	
Synchronization	Internal / Line-Lock / Multiplexed Vertical Drive (VD2)	
Scanning	2:1 interlace	
Scanning Frequencies	Horizontal: 15.625 kHz, Vertical: 50 Hz	
Video Output	VBS: 1.0 V [p-p] / 75 Ω (BNC connector)	
Horizontal Resolution (Centre)	540 lines (in colour, typical) 520 lines minimum (in colour, HIGH mode) 480 lines minimum (in colour, NORMAL mode) 570 lines minimum (in B/W)	
Minimum Illumination	0.5 lux (in colour) 0.04 lux (in B/W) *SENSE UP: OFF, AGC: HIGH	
Dynamic Range	52 dB typical (SUPER-DYNAMIC III: ON)	
Signal-to-Noise Ratio	50 dB minimum (AGC: OFF)	
Ambient Operating Temperature	-10 °C - +50 °C Humidity: 90 % max. (non-condensation)	
Power Source and Consumption	220 V - 240 V AC, 50 Hz; 13 W	24 V AC, 50 Hz; 13 W
Dimensions	154.5 mm (D) x 233 mm (H)	
Weight	approx. 2.2 kg	
Pan and Tilt		
Panning Range	360° endless	
Panning Modes	Manual, auto, manual position, sequential position	
Panning Speed*	Manual: approx. 0.065°/s - 120°/s 8 steps, 16 steps, 64 steps Preset: approx. 400°/s	
Tilting Range	-5° - 185° (horizontal - vertical - horizontal) (According to the TILT ANGLE)	
Tilting Modes	Manual, manual position, sequential position	
Tilting Speed*	Manual: approx. 0.065°/s - 120°/s 8 steps, 16 steps, 64 steps Preset: approx. 400°/s	
* Actual speed depends on type of optional controller being used.		
Lens		
Zoom Ratio	300x (30x optical zoom plus 10x electronic digital zoom)	
Focal Length	3.8 mm - 114 mm	
Maximum Aperture Ratio	1:1.4 (WIDE) - 3.7 (TELE)	
Object Distance	1.5 m	
Iris Range	F1.4 - 22, Close	
Angular Field of View	Horizontal: 1.9° (TELE) - 52° (WIDE) Vertical: 1.4° (TELE) - 40° (WIDE)	
Main Functions		
Controller Interface	Coaxial Multiplex System, RS-485 Transmission	
Control Functions	Pan and tilt, zoom and focus, 256 preset positions, home position, patrol	
AGC	ON (LOW/MID/HIGH), OFF	
Character Display	ON, OFF (Preset ID, camera ID, area title: 16 alphanumeric characters)	
Zoom Speed	approx. 6.0 seconds (TELE to WIDE) in manual mode	
Zoom Ratio Control	1x - 300x (Over 30x is electronic zoom)	
Password Lock	All menus	
Focus Speed	approx. 6.0 seconds (FAR to NEAR, full TELE zoom) in manual mode	
Auto Focus	MANUAL/AUTO (PAN, TILT, ZOOM linked)	
Iris	ALC (Adjustable OPEN/CLOSE output target level)/MANUAL	
Shutter	OFF (1/50), AUTO, 1/120, 1/250, 1/500, 1/1,000, 1/2,000, 1/4,000, 1/10,000	
Electronic Sensitivity Enhancement	32x max. (AUTO or FIX)	
Auto Mode	OFF, SEQ, SORT, AUTO PAN, PATROL, AUTO TRACK	
Auto Pan Key	SEQ, SORT, AUTO PAN, PATROL, AUTO TRACK	
Digital Flip	ON/OFF	
Super Dynamic III	ON/OFF	
Motion Detector	OFF/MODE1/MODE2	
Alarm Input/Output	4 inputs (ALARM IN 1 - ALARM IN 4) 2 outputs (ALARM/AUX1, BW/AUX2)	
Black and White Mode Switching	AUTO/ON/OFF	
Privacy Zone	ON/OFF (8 zone settings)	
Patrol	STOP/PLAY/LEARN	
Cleaning	ON/OFF	
Image Hold	ON/OFF	
STABILIZER	ON/OFF	
Scene Select Setting	INDOOR (L) / INDOOR (H) / OUTDOOR (L) / OUTDOOR (H)	
Language Setting	English, German, French, Italian, Spanish, Russian, Chinese, Japanese	

OPTIONAL ACCESSORIES

WV-CS3S	WV-Q105	WV-Q116	WV-Q117	WV-Q118
Smoke Cover	Direct Ceiling Installation	Embedded Ceiling Installation	Suspended Ceiling Installation	Wall Installation
				

Panasonic
Panasonic is the brandname of Matsushita Electric.

Printed in Japan
WV-JKS950T(2N-739)