



Network Disk Recorder with 2 removable HDD slots for digital image data from up to 16 Network Cameras

Key Features

- MPEG-4 and JPEG multi format
- Up to 16 network cameras can be connected and recorded.
- Various Recording Modes: Manual, Schedule, Event (Pre/Post), Emergency, External Timer
- Various alarm sources include 16x Terminal inputs, 16x Camera alarm, Panasonic Alarm Protocol. Flexible alarm actions include Alarm recording, E-mail notification, Alarm message, Camera positioning, FTP image transfer, Terminal output, Panasonic alarm protocol output, Buzzer and LED.
- Panasonic Camera Control: Pan/Tilt, Zoom, Focus, Brightness, Preset Position, Auto mode (depending on camera model).
- Audio from the **i-Pro** network cameras can be recorded and played back, G.726 (ADPCM) 32 kbps.
- Cameras may be assigned to one of the 4 groups to meet application requirements.
- Flexible Playback Controls: Goto Date (Jump to specific time/date), Goto Last (Jump to 5 sec. ~ 5 min. before the record end).
- Various Display Modes: Spot, Quad (4 patterns), Spot Sequence, Quad Sequence (Sequence: Live only).
- 4 Quad screens are fully programmable. Any of the 16 cameras can be assigned to any area of the Quad screens.
- Filtered Search: Time & Date, Event Type, Camera number, Text
- Recorded images can be downloaded to a PC.
- Downloadable viewer software allows playback of images downloaded from the Recorder.
- Built-in network interface (10Base-T / 100Base-TX) for recording and client access
- Quick IP Setup for Panasonic **i-Pro** series network cameras
- Bandwidth control: 32 k / 64 k / 128 k / 256 k / 512 k / 1,024 k / 2 M / 5 M / 10 M (bps) and unlimited
- Up to 4 clients can monitor image and control WJ-ND200 simultaneously.
- Image transfer to FTP server: Recorded image upon alarm and/or live image periodically
- Performance measurement function for appropriate recording frame rate setup
- SD memory recordings initiated by network failure in the **i-Pro** series cameras can be transferred automatically or manually to the recorder even when the recorder is in recording status.

- Up to 2 removable HDDs can be installed. (2.5 inch Serial ATA HDD)
- The removable HDD can be connected to a PC via WJ-HDC20 Connection Unit and played back with provided HDD viewer software. (NTSC model only)
- Alarm notification by e-mail
- User/Host authentication, 4 user levels and User-Camera View/Control partitioning set up for sophisticated user management of up to 32 user registrations.
- Multi-recorder, Multi-site system can be made with optional WV-ASM100 i-Pro Management Software.
- RAID1 mirroring capability
- Vertical installation is possible with the optional WV-Q201 Vertical Stand.

Standard Accessories

- | | |
|---|--|
| • CD-ROM* 1 pc. | The followings are for installation: |
| • Installation Guide 1 pc. | • Power Cord (NTSC model) 1 pc. |
| * The CD-ROM contains the operating instructions (PDFs and the software). | • Power Cord (PAL model) 2 pcs. |
| | • Key 2 pcs. |
| | • Brace (for the power cord) 1 pc. |

Optional Accessories

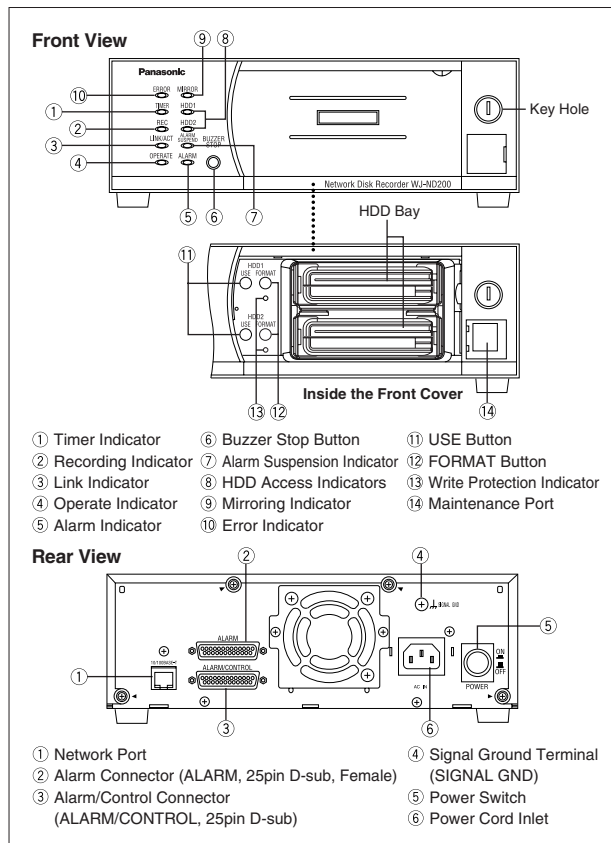
<p>Rack Mount Bracket WV-Q200</p> 	<p>Vertical Stand WV-Q201</p> 
<p>Removable HDD WJ-HDD32 (320 GB)</p> 	<p>Connection Unit WJ-HDC20 (NTSC only)</p> 

Specifications

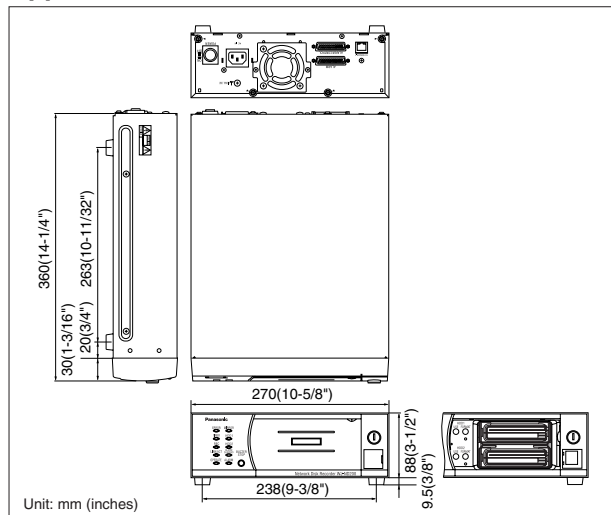
TV System	NTSC	PAL
Supported Cameras	Panasonic i-Pro series Network cameras, BB series (specific models) and Axis® (specific models)	
Supported Image Format	MPEG-4 (Specific cameras), JPEG, M-JPEG	
Supported Image Resolution	1,280 x 960, 960 x 720, 640 x 480, 320 x 240 (Depending on the camera)	
Supported Audio Format	G.726 (ADPCM) 32 kbps	
Maximum Number of Cameras	16	
Recording	Recording Mode Manual, Event, Schedule, Emergency, External timer Pre-alarm Recording Up to 30 seconds Scheduled Recording Mode 4 programs, 6 time zones/day, Independent setup for each day of the week Frame Rate/Camera Up to 30 ips (Depending on the Camera)	
Browser GUI	Camera Control Pan/Tilt, Zoom, Focus, Brightness, Preset position call and program (up to 256), Auto mode, Click centering, Wheel zoom, Zoom reset REC/Playback Control REC, PLAY, Rev PLAY, Pause, Stop, FF, REW, Prev Record, Next Record, Prev Image, Next Image, Goto Date, Goto Last (5 sec. ~ 5 min.), Text display Search Mode Search criteria: Time date, Event type, Camera number, Text ON/OFF Display Mode 4x Spot/Quad groups/Spot Sequence/Quad Sequence (Sequence: Live only) Camera Grouping 4 groups each with 16 characters title Image Download Recorded data of selected camera and time range can be downloaded to a PC. Viewer software can be downloaded separately. SD Memory Data Download SD recording associated with network error in the i-Pro series cameras can automatically be transferred to the recorder. Camera Title On the browser, Up to 16 characters Clock Display On the browser. Time: 12H/24H, Date: 3 formats (YY.MM.DD, MMM.DD.YY, DD.MMM.YY) Alarm Control Reset, Suspend Digital Zoom Up to 4 times, Mouse wheel control supported Text Attachment Free comment can be attached for each record and reviewed at later time. Up to 200 characters System Logs Operator access (100), Network error (1,000), Error (100), Event (750) System Setup Setup page in English, French, Italian, Spanish, German, Russian, Chinese, Japanese Time Synchronization Terminal (Master or Slave), NTP (Client) Summer Time User definable (using menu setup) GUI Language English, French, Italian, Spanish, German, Russian, Chinese, Japanese Supported OS Microsoft® Windows Vista® Business 32 bit, Microsoft® Windows® XP Home/Professional SP2 The language of the OS must be same as selected GUI language. Supported Browser Windows® Internet Explorer® 7.0 (Microsoft® Windows Vista® Business 32 bit), Microsoft® Internet Explorer® 6.0 SP2 (Microsoft® Windows® XP Home/Professional SP2) Required PC CPU: Intel® Pentium® 4 3.0 GHz or faster, RAM: 512 MB or more, Microsoft® DirectX® 9.0c or later	
Alarm/Event	Alarm Source 16 x Terminal inputs, 16 x Camera alarms, Panasonic Alarm Protocol Alarm Action Alarm recording, e-mail notification, Alarm message, Camera positioning, FTP image transfer, Terminal output, Panasonic alarm protocol output, Buzzer, LED Alarm Control Reset, Suspend Event Log 750 logs	
Network	Network Interface 10Base-T/100Base-TX (RJ-45) Maintenance Port 10Base-T (RJ-45) Maximum Band Width Total 48 Mbps Bandwidth Control 32 k / 64 k / 128 k / 256 k / 512 k / 1,024 k / 2 M / 5 M / 10 M (bps) and unlimited Supported Protocol TCP/IP, UDP/IP, HTTP, FTP, SMTP, DHCP, DNS, DDNS, NTP, SNMP, RTP E-mail Upon Alarm or Warning No. of Client at a Time 4 FTP Client Upon alarm or Periodic transfer User Registration Up to 32 users User Level 4 Levels (Programmable) Partitioning User - Camera (View only, View & Control, No Access) Security Method User authentication (ID and Password), Host authentication (IP address), Alteration detection	
External Interface	Alarm Connector (25pin D-sub) Alarm Alarm input 1 ~ 16 ^{*1} , Alarm output 1 ~ 7 ^{*2} Alarm/Control Connector (25pin D-sub) Alarm Alarm output 8 ~ 16 ^{*2} , Alarm suspension input ^{*1} , Alarm reset input ^{*1} Control Emergency recording input ^{*1} , Power outage detection input ^{*1} , External recording mode switching ^{*1} , Power outage recovery completion output ^{*3} , Time adjustment input/output ^{*4} , +5 V output ^{*5} Error/Warning Network error output ^{*2} , Available disk space warning output ^{*2} , HDD error output ^{*2} , Camera error output ^{*2} , Error output ^{*2}	
HDD	Type Up to 2 removable HDDs (2.5 inch Serial ATA HDD) RAID RAID1 Mirroring mode supported	
Viewer Software	Playback Control Play, Rev Play, Pause, FF, REW, Prev Record, Next Record, Prev Image, Next Image Additional Functions Alteration detection, Save as JPEG, Two times zoom, Print Supported OS Same as browser GUI, Language of the software is English.	
HDD Viewer Software	Playback Control Play, Rev Play, Pause, FF, REW, Prev Record, Next Record, Prev Image, Next Image Additional Functions Search (Time date, Event type, Camera number), Save as JPEG, Print, HDD Check Supported OS Same as Viewer software, Language of the software is English.	
Admin Software	Supported OS Same as Viewer software, Language of the software is English. Quick IP Setup Supported OS Same as Viewer software, Language of the software is English.	
General Specifications	Safety/EMC Standard UL (6500), FCC (Part15 ClassA), CE (EN60065, EN55022 ClassB, C-UL (E60065), DOC (ICES003 ClassA), EN55024), GOST (GOST R 51558) Power Source 120 V AC, 60 Hz 220 ~ 240 V AC, 50 Hz Power Consumption approx. 35 W Ambient Operating Temperature +5 °C ~ +45 °C (41 °F ~ 113 °F) Ambient Operating Humidity 5 % ~ 90 % (without condensation) Maximum Operating Altitude 2,000 m (6,500 feet) above sea level Dimensions 270 mm (W) x 88 mm (H) x 360 mm (D) (10-5/8"(W) x 3-1/2"(H) x 14-1/4"(D)) (excluding rubber feet and projections) Weight 4.7 kg (10.3 lbs.)	

*1: Non-voltage make contact, +5 V pull-up 150 Ω *2: Open collector output, 24 V max., -100 mA
 *3: High (+5 V ~ +12 V, 6.3 mA maximum) *4: 52 kΩ, 5 V pull-up, -100 mA / make contact *5: 200 mA at maximum

Part Names and Functions



Appearance



Trademarks and registered trademarks

– Microsoft, and Windows are registered trademarks of Microsoft Corporation in the U.S. and other countries.
 – Axis is a registered trademark of Axis Communications AB.
 – Intel and Pentium are trademarks of Intel Corporation.
 – "Super Dynamic", "SDII", "SDIII" and "i-Pro" logos are trademarks or registered trademarks of Panasonic Corporation.

Important

– Safety Precaution: carefully read the operating instructions and installation manual before using this product.
 – Panasonic can not be responsible for network performance and/or other manufacturer products that reside on the network.

- All TV pictures are simulated.
- Weights and dimensions are approximate.
- Specifications are subject to change without notice.
- These products may be subject to export control regulations.
- All product pictures are NTSC models.

DISTRIBUTED BY:

Panasonic®

<http://panasonic.net/security/>

Printed in Japan (2A-002CA)