

ET1222H-S-DR

Hardened Self-Configured 1-port 10/100/1000Base-TX + 2-port 1000Base-FX SFP Ethernet Switch



Features

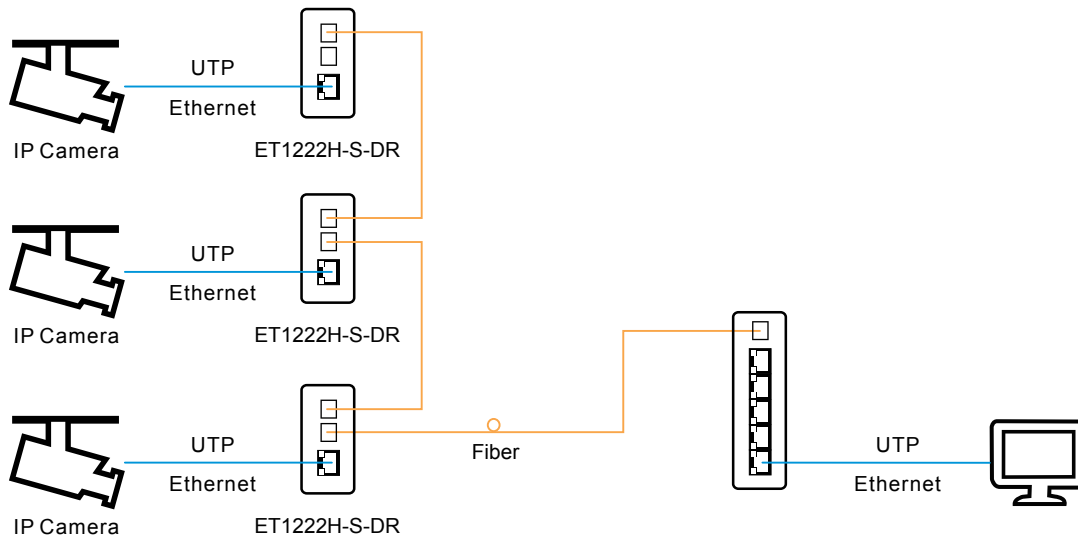
- ▶ 1 10/100/1000Base-TX + 2 1000Base-FX SFP
- ▶ Automatically support IGMP (Multicasting)
- ▶ 10/100/1000Mbps RJ45 Port Supports Full/Half-duplex, Auto-negotiation, Auto MDI/MDIX
- ▶ Supports external 1000Base SFP
- ▶ Supports Light Hardware IGMP V1, V2, V3
- ▶ Supports 802.3x Flow control
- ▶ Supports Broadcast Storm Control
- ▶ 1M bits frame buffer memory
- ▶ 9K Bytes Jumbo Frame
- ▶ Supports Relay output for Power failure and port failure alarm
- ▶ Redundant Power Inputs
- ▶ Supports Wall-mount and DIN-Rail installation
- ▶ -40°C to 75°C (-40°F to 167°F) operating temperature



Warranty

- ▶ 5-Year Warranty

Typical Application



Specifications

Ethernet

Standards	IEEE802.3 10Base-T IEEE802.3u 100Base-TX IEEE802.3ab 1000Base-T IEEE802.3z 1000Base-X
Processing Type	Store-and-Forward
Switch Fabric	6 Gbps
Forward Filter Rate	14,880pps (10Mbps) 148,800pps (100Mbps) 1,488,000pps (1000Mbps)
Switching Fabric	6 Gbps
Packet Buffer Memory	1 Mbit
Max Packet Length	9K Bytes
Address Table Size	2048K MAC Addresses

Specifications

Interface

Connector	1 x RJ45
Optical Port	2 x 1000Base-FX SFP

Electrical and Mechanical

Input Power	2 x 12~48VDC, Redundant Power (6-pin Terminal Block)
Power Consumption	Max 5W
LED Indicators	
Power	Power1, Power2 Status
Ethernet (Per Port)	LINK/Activity
SFP	LINK
Dimensions (W x D x H)	31 x 120 x 148 mm
Weight	0.4Kg
Casing	Aluminum Case
Mounting options	DIN-Rail / Wall-mount

Environmental

Operating Temperature	-40°C to 75°C (-40°F to 167°F)
Storage Temperature	-40°C to 85°C (-40°F to 185°F)
Relative Humidity	5% to 95% non-condensing
MTBF	> 300,000 hrs

Regulatory Approvals

ISO9001, CE, FCC, RoHS	EMS
EMI	IEC 61000-4-2: 2008 (ESD)
EN55022:2010+AC: 2011, Class A	IEC 61000-4-3: 2010 (RS)
EN 61000-3-2: 2006+A1: 2009+A2: 2009	IEC 61000-4-4: 2012 (EFT)
EN 61000-3-3: 2013	IEC 61000-4-5: 2014 (Surge)
EN55024:2010	IEC 61000-4-6: 2013 (CS)
	IEC 61000-4-8: 2009 (PFMF)

Ordering Information

Available Model	Description
-----------------	-------------

ET1222H-S-DR	Hardened Self-Configured 1-port 10/100/1000Base-TX + 2-port 1000Base-FX SFP Ethernet Switch
---------------------	---

Optional Accessories (to be purchased separately)

SFP	(S)=SFP Option. Please select your SFP on our SFP Modules page at the back of the catalogue or our website www.ot-systems.com for details.
Power Supply	Please refer to the power supply information at the back of the catalogue, our website www.ot-systems.com , or consult OTS sales at sales@ot-systems.com for your power system design properly.

Package Checklist

■ Self-Configured Switch	x 1
■ Wall Mount Plates	x 1
■ DIN-Rail Clip	x 1
■ Quick Installation Guide	x 1

