

# EC5100P

Econ-line Unmanaged 4-port 10/100Base-TX (PoE) + 1-port 100Base-TX Ethernet Switch



## Features

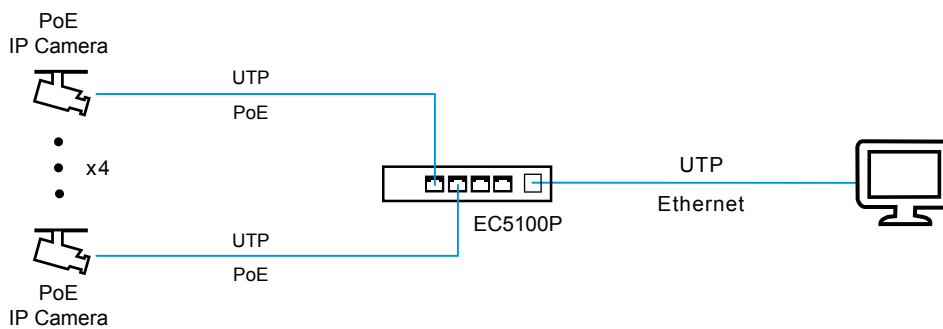
- ▶ Supports IEEE802.3af PoE (15.4W per port)
- ▶ Supports Auto-Negotiation and Auto MDI/MDI-X
- ▶ Supports Store-and-Forward Transmission
- ▶ Supports Power Saving Technology - power down unused ports and when a connected device in standby mode



## Warranty

- ▶ 1-Year Warranty

## Typical Application



## Specifications

### Ethernet

|                     |   |
|---------------------|---|
| Standards           | IEEE802.3 10Base-T<br>IEEE802.3u 100Base-TX<br>IEEE802.3x Flow Control<br>IEEE802.3af Power over Ethernet |
| Processing Type     | Store-and-Forward   |
| Forward Filter Rate | 14,880pps (10Mbps)<br>148,800pps (100Mbps)  |
| Switch Fabric       | 1Gbps   |
| Cabling             | 10Base-T: Cat5 or above<br>100Base-TX: Cat5 or above  |
| Maximum Distance    | Cat5 UTP up to 100m   |
| Connector           | 5 x RJ45 (P1~P4: PoE)   |

### Electrical and Mechanical

|                     |  |
|---------------------|--|
| Input Power         | 48VDC, 1.25A (Max.), DC Socket             |
| Power Consumption   | 8W Max. (Standby)<br>48W Max. (PoE in use) |
| LED Indicators      |  |
| Power               | PWR (Power Status)                         |
| 10/100TX (per port) | LINK/Activity, PoE Power Injected (P1-P4)  |

## Specifications

|                        |                               |
|------------------------|-------------------------------|
| PoE                    |                               |
| Standard               | IEEE802.3af                   |
| Port                   | RJ45 Port 1~Port 4            |
| Mode                   | Alternative A Mode            |
|                        | Positive (VCC+): RJ45 Pin 1,2 |
|                        | Negative (VCC-): RJ45 Pin 3,6 |
| Max. Power per port    | 15.4W Per Port                |
| Dimensions (W x D x H) | 140 x 91 x 28 mm              |
| Weight                 | 0.3 Kg                        |
| Casing                 | Metal Case                    |
| Mounting options       | Desktop                       |

## Environmental

|                       |                               |
|-----------------------|-------------------------------|
| Operating Temperature | 0°C to 45°C (32°F to 113°F)   |
| Storage Temperature   | -20°C to 80°C (-4°F to 176°F) |
| Relative Humidity     | Max. 90% non-condensing       |
| MTBF                  | > 100,000 hrs                 |

## Regulatory Approvals

ISO9001  
FCC  
CE

## Ordering Information

| Available Model | Description |
|-----------------|-------------|
|-----------------|-------------|

|                |  |
|----------------|--|
| <b>EC5100P</b> | Econ-line Unmanaged 4-port 10/100Base-TX (PoE) + 1-port 100Base-TX Ethernet Switch |
|----------------|--|

### Package Checklist

|  |     |
|--|-----|
| ■ Unmanaged PoE Switch   | x 1 |
| ■ 48VDC, 1.25A External Power Adapter with US, UK, EU, or AU type on request | x 1 |
| ■ Quick Installation Guide   | x 1 |

