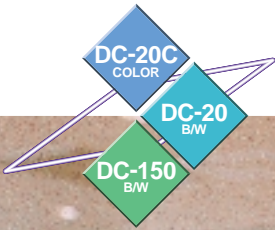




COVERT CAMERA with DETECTOR/MICROPHONE

DC SERIES CAMERAS



WonderTrack

...The Professional and Sophisticated Design for Interior CCTV Applications

Integrating advanced camera technology with high quality motion detectors provides the most efficient and attractive solution for interior security requirements. By adding the benefits of detection and signaling to CCTV systems, OPTEX's Covert PIR Cameras make systems more useful and convenient.

The attractive and inconspicuous appearance of these cameras make them an acceptable and comfortable part of our daily living environments.

- **High Sensitivity**
Advanced CCD imaging technology allows pictures in low light conditions (as low as 0.5 lux for the DC-20 B/W series).
- **Auto Gain Control**
Automatically adjusts camera to maximize picture quality even when the camera is facing light sources.
- **High Quality PIR Detector**
The highest quality PIR detector has been incorporated into the DC Series Cameras. Quad Zone Logic virtually eliminates false alarms.
- **Dual Outputs for CCTV and Security Systems**
DC Series Cameras are supplied with two relay outputs. Independent signals for CCTV and security systems make installation easier and increase user benefits.
- **Easy Installation**
The PIR and CCD devices are aligned during production of the unit to eliminate the time and effort needed for alignment during installation.

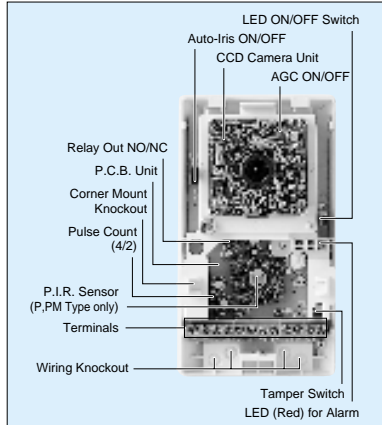


WonderTrack 4-Zone Digital Event Recorder

When installed together with a DC series camera, the WT-100/110, with its advanced digital visual recording technology, forms an ideal CCTV security system that provides high-quality pictures of the moment an event occurs.

WonderTrack Digital Recorder (WT-100/110)

DC SERIES CAMERAS



MODEL LIST

Lens type	DC-20C COLOR		DC-20 B/W			DC-150 B/W	
	Conventional Lens		Conventional Lens		Pinhole	Pinhole	
Camera angle/ Focal length	43 degrees	73 degrees	2.5 mm	6.0 mm	3.7 mm	72 degrees	
CCIR/ PAL	Camera	DC-20C-43P	DC-20C-73P	DC-20(25C)	DC-20(60C)	DC-20(37C)	DC-150-72C
	Camera + PIR	DC-20CP-43P	DC-20CP-73P	DC-20P(25C)	DC-20P(60C)	DC-20P(37C)	DC-150P-72C
	Camera + PIR + Mic	DC-20CPM-43P	DC-20CPM-73P	DC-20PM(25C)	DC-20PM(60C)	DC-20PM(37C)	DC-150PM-72C
EIA/ NTSC	Camera	DC-20C-43N	DC-20C-73N	DC-20(25E)	DC-20(60E)	DC-20(37E)	DC-150-72E
	Camera + PIR	DC-20CP-43N	DC-20CP-73N	DC-20P(25E)	DC-20P(60E)	DC-20P(37E)	DC-150P-72E
	Camera + PIR + Mic	DC-20CPM-43N	DC-20CPM-73N	DC-20PM(25E)	DC-20PM(60E)	DC-20PM(37E)	DC-150PM-72E

DC-20C Full-Color Camera

- Japanese camera board, with a high-quality lens for realistic full-color pictures.
- The leading model in the color CCTV market.

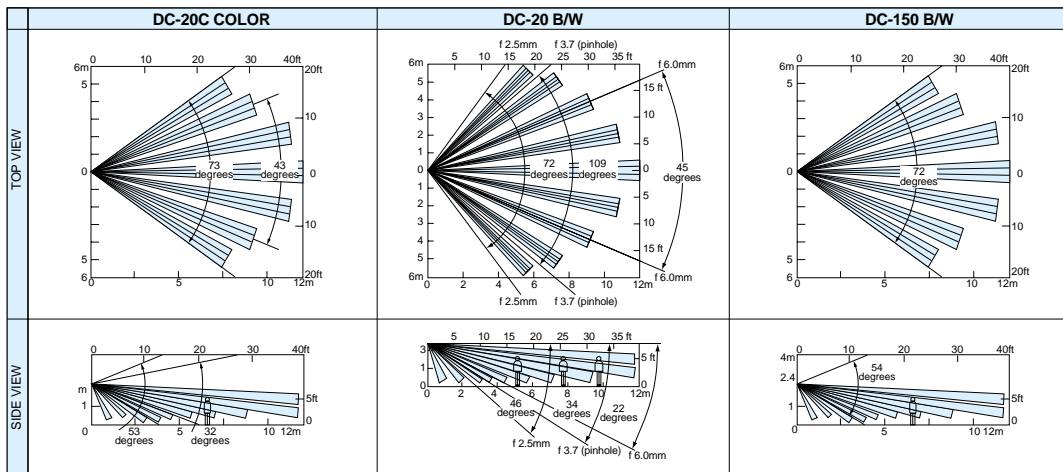
DC-20 B&W Camera

- Japanese camera board with a high-quality standard lens and a pinhole lens for greater flexibility of use.

DC-150 B&W Camera

- Improved covert capabilities.
- Excellent performance at an affordable price.
- Highly competitive in a difficult cost-performance market.

VIEW ANGLE



OPTIONAL BRACKETS

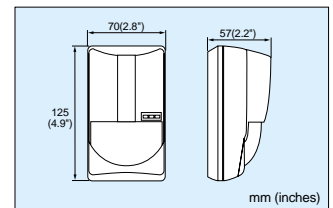
FA-1W

Wall Mount Bracket
Adjustable ±45° Horizontally, 0-20° Vertically Downwards

FA-3

Compact Wall & Ceiling Mount Bracket
Adjustable ±45° Horizontally, 0-10° Vertically Downwards

DIMENSIONS



SPECIFICATIONS

Model	DC-20C COLOR			DC-20 B/W			DC-150 B/W		
	DC-20C	DC-20CP	DC-20CPM	DC-20	DC-20P	DC-20PM	DC-150	DC-150P	DC-150PM
Supply Voltage	12V DC ± 10%			12V DC ± 10%			12V DC ± 15%		
Power Consumption	Max. 100mA	Max. 125mA		130mA (P, PM type 150mA)			Max. 100mA	Max. 125mA	
Operating, Temperature Range	14°F ~ 122°F, (-10°C ~ +50°C)			14°F ~ 122°F, (-10°C ~ +50°C)			14°F ~ 122°F, (-10°C ~ +50°C)		
Storage, Temperature Range	-4°F ~ 140°F, (-20°C ~ +60°C)			-4°F ~ 140°F, (-20°C ~ +60°C)			-4°F ~ 140°F, (-20°C ~ +60°C)		
LED Indicator	Detection indicator			Detection indicator			Detection indicator		
Dimensions (HxWxD)	2.8" x 4.9" x 2.2" (70mm x 125mm x 57mm)			2.8" x 4.9" x 2.2" (70mm x 125mm x 57mm)			2.8" x 4.9" x 2.2" (70mm x 125mm x 57mm)		
Environment Humidity	85% RH max.			85% RH max.			85% RH max.		
Installation Place	indoor only			indoor only			indoor only		
Weight	4.9 oz (140g)			4.9 oz (140g)			4.9 oz (140g)		

CCD CAMERA

	DC-20C COLOR	DC-20 B/W	DC-150 B/W
Pickup Element	1/4" Color CCD	1/3" interline CCD	1/3" CCD
Video Output	1.0Vp-p/75ohms ±10%	1.0Vp-p/75ohms ±10%	1.0Vp-p/75ohms ±10%
Scanning Method	2:1 interlaced	2:1 interlaced	2:1 interlaced
Resolution	330 TV lines (center)	380 TV lines	380 TV lines (center)
Number of Effective Pixels	PAL: 512 (H) x 582 (V)/NTSC: 512 (H) x 492 (V)	CCIR: 500 (H) x 582 (V)/EIA: 510 (H) x 492 (V)	CCIR: 500 (H) x 582 (V)/EIA: 510 (H) x 492 (V)
Focal Distance	43°: f = 4.6mm, 73°: f = 3.0mm	f = 2.5mm, 3.7mm, 6.0mm	f = 3.7mm
Lens Type	Conventional	Conventional, Pinhole	Pinhole
View Angle	43° (H) x 32° (V), 73° (H) x 53° (V)	109° (H) x 82° (V), 72° (H) x 54° (V), 45° (H) x 34° (V)	72° (H) x 54° (V)
Minimum Illumination	2.5 lux	0.5 lux	1 lux
TV Method	PAL/NTSC	CCIR/EIA	CCIR/EIA
Synchronizing	inside	inside	inside

DETECTOR

	DC-20C COLOR	DC-20 B/W	DC-150 B/W
Detection Method	Passive infrared		
Coverage Detection Zones	43: Max. 40ft (12m) 43° wide, 73: Max. 40ft (12m) 73° wide	Max. 40 x 40ft (12 x 12m) 85° wide	Max. 40ft (12m) 72° wide
Sensitivity	1 ~ 5ft/sec. (0.3~1.5m/sec.)		
Relay Output	N.C. or N.O. 28VDC 0.2A max.		
Warm Up Period	Approx 20sec.		

• Specifications and design are subject to change without prior notice.

Note: This unit is designed to take pictures with/without detecting movement of an intruder and with/without activating an alarm control panel.

Being only a part of a complete system, we can not accept responsibility for any damages or other consequences resulting from an intrusion.



OPTEX CO., LTD. (ISO 9001 Certified by LRQA)
4-7-5 Nionohama Otsu, 520-0801 Japan
TEL(077)524-6047 FAX(077)522-9022

OPTEX AMERICA, INC.

1845 W. 205th St. Torrance, Ca. 90501-1510 U.S.A.
TEL(310)533-1500 FAX(310)533-5910

OPTEX (EUROPE) LTD. (ISO 9002 Certified by NQA)

Civemont Road, Cordwallis Park, Maidenhead, Berkshire, SL6 7BU U.K.
TEL(01628)631000 FAX(01628)636311

