

Halocam-R

3-Megapixel 360° Analogue Camera



ONCAM
GRANDEYE

A 360° analogue camera with a 3-megapixel sensor and no moving parts

- Constant 360° surveillance; no blind spots
- Silent operation as there are no mechanical parts
- No moving parts means no regular maintenance due to wear and tear

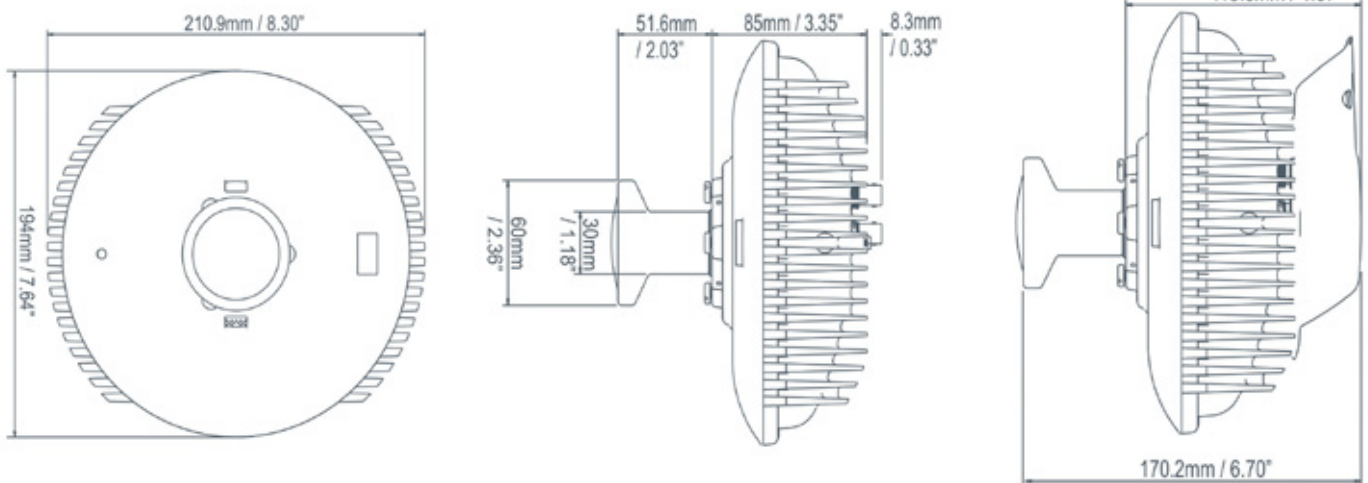
Four dewarped PTZ virtual cameras (VCams)

- Uses powerful, patented on-camera image processing
- Independent pan, tilt and zoom (PTZ) operation with each VCam, as well as panorama and fisheye images; ideal for live viewing
- Motion and change-of-object detection within defined areas of interest
- Up to four targets or events tracked simultaneously on one camera
- 75 pixel-perfect privacy regions
- 7x optical-equivalent zoom
- 12fps live view
- Supports formats: PAL, NTSC
- Retrospective scene analysis with vPTZ when used with the Halocorder, Oncam Grandeye's high-resolution recording solution



Discreet Installation

- Fully supports EMC; (CISPR Class A) FCC; UL2044 (2043 with conduit kit)
- Easy installation
- Minimum illumination 1 lux, providing the most clarity in low light among peers
- Designed for discreet mounting behind false ceilings
- Suitable for ceiling-mounted applications and for surface or wall-mounted applications with wall-mounting bracket



Halocam-R

3-Megapixel 360° Analogue Camera



| HALOCAM -R TECHNICAL SPECIFICATIONS | |
|--|--|
| Model | GE-A-001 |
| General | |
| Field of view | 360° |
| Image sensor | 3 megapixel |
| Angle of view | 170° hemisphere |
| Sensor responsiveness | 1.0V/lux-sec (550nm) |
| Frame rate | ~12 fps |
| Zoom | 7x optical equivalent |
| Motion detection/tracking | Variable sensitivity, 75 regions of interest, 4-target simultaneous tracking |
| Museum mode | Detects object removal, addition and change |
| vPTZ | Immediate response, controllable via industry-standard RS485 protocols including Pelco-P/D, protocol autosensing |
| Presets | 128 |
| Tours | 4 preset tours (64 steps each), 4 learn tours (3 minutes each) |
| Virtual cameras | 4 fully independent full resolution including thumbnail |
| External input | 4 contact input N/O or N/V |
| External Output | 1 momentary or transparent |
| Security | Password-protected menu system, encrypted digital video |
| Event management | Triggered by motion or external input. Result configurable: PTZ tracking; external output; Halocorder recording |
| Sectors | 75 |
| Privacy | 75 pixel-perfect privacy regions |
| Electrical | |
| Video connection | 2x analogue 75 Ohm BNC coax |
| External I/O | Spring-loaded terminals. Output: 30V (max), ½ Amp (max), 10W (max) |
| Power input | 2-pin Phoenix-style connector. 11.5-16VDC; cable 18-14 AWG |
| Power consumption | 20W typical |
| Mechanical | |
| Camera mount | Camera mounts behind ceiling panel, requiring 100mm/3.94" diameter hole. Optional surface/wall-mounting bracket available. |
| Weight | 1.5kg (3.3lbs) |
| Enclosure | All-metal, suitable for mounting behind false ceiling panels |
| Environmental | |
| Operating temperature range | 0 to +40°C (32 to 104°F) |
| Storage temperature range | -10 to +60°C (14 to 140°F) |
| Video | |
| Video system | NTSC and PAL |
| Certifications/Ratings/Patents/Products | |
| Patents | 15 patents; 15 patents pending; 20 licensed patents |
| Approvals | EMC: (CISPR Class A) FCC; CE; UL2044 (2043 with conduit kit) |
| Other related products | Nose cone for Halocam-R; Wall/surface-mounting bracket for Halocam-R; 12V power supply for Halocam-R; Halocorder high-resolution 360° recorder |