

# Evolution

## 360° Indoor Concealed Camera



**ONCAM**  
GRANDEYE

### Taking the next step in 360° total situational awareness

#### 5-megapixel sensor and no moving parts

- Constant 360° surveillance; no blind spots
- Silent operation as there are no mechanical parts wear and tear
- Light weight enclosure that can be completely concealed behind ceilings or walls voids
- False wall or ceiling thickness of between 3mm (1/4") and 25mm (1")

#### A truly covert installation with the lowest profile available

- Fully supports IEEE802.3af Class 2 Power over Ethernet (PoE)
- Quick and easy installation
- Professional indoor enclosure
- Pleasing aesthetics
- Minimum illumination 0.1 lux, providing clarity in low lights
- Convenient surface-mounting enclosure
- Suitable for ceiling, wall or table mounted applications
- A range of mounting accessories allows for ceiling, wall, pole and pendant mounting

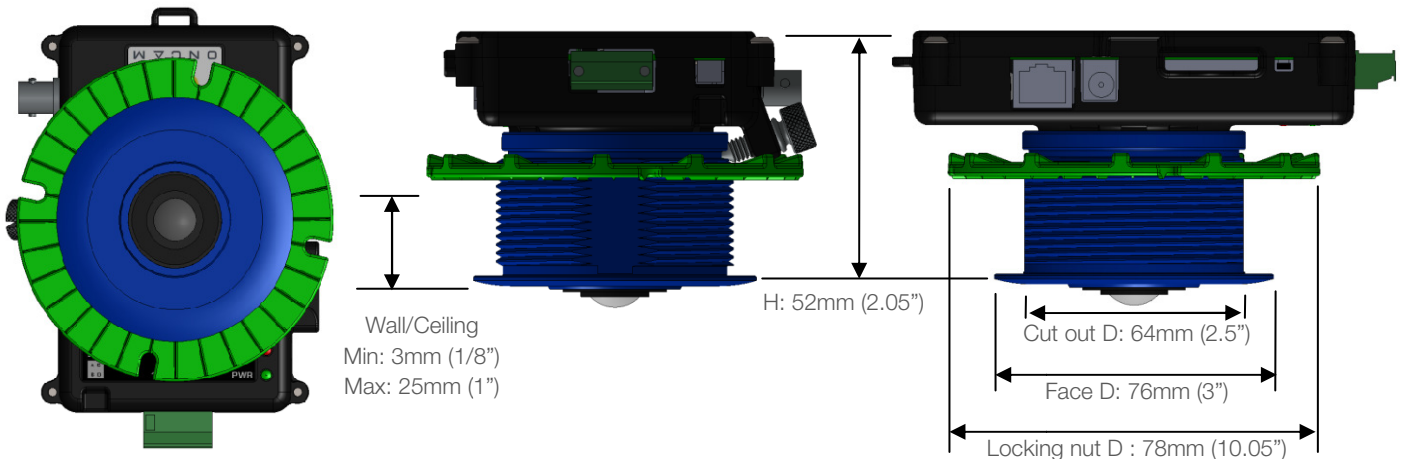
#### Onboard SD card and advanced event management

- Onboard SD Card for future local recording feature and advanced event management
- Configurable privacy regions
- Video Motion Detection within defined areas of interest
- Local alarm digital input
- Audio microphone input, which can be configured to trigger an event



#### Dual video streams with a choice of resolutions

- Optimises bandwidth and storage utilisation
- Dual video streams
- Video streams in multiple resolutions from 528x480 to 2144x1944
- 10fps typical for full resolution and up to 15 fps for all other resolutions
- H.264/MJPEG stream with multiple quality levels
- Multilevel password protection
- Intuitive web-based interface for viewing and configuration
- Highly configurable event management with notifications via Email, FTP and external output
- Integrates NVRs directly to the camera by utilising the market leading Oncam Grandeye - Grandeye 3D dewarping SDK, provided separately
- Supports major VMS / NVR / HDVR systems



Oncam Grandeye | 115 Hammersmith Road, London, W14 0QH UK | [www.oncamgrandeye.com](http://www.oncamgrandeye.com) | t: + 44 (0) 20 7371 6640 | e: [sales@oncamgrandeye.com](mailto:sales@oncamgrandeye.com)

Copyright 2012 by Oncam Global Group AG. Oncam Grandeye is a trade name of Oncam Global Group AG. All rights reserved. All screen images are simulated. Specifications and configurations subject to change without notice. Grandeye and Halocam are trademarks of Grandeye Ltd. Oncam and IPZoom are trademarks of Oncam Global Group and its subsidiaries. The names of companies, entities, organizations and/or products/services mentioned herein may be the trademarks of their respective owners.

(March 2013 – Rev2.1eu)

# Evolution

## 360° Indoor Concealed Camera



**ONCAM**  
GRAND EYE

Taking the next step in 360° total situational awareness

ONCAM GRAND EYE - EVOLUTION INDOOR CONCEALED CAMERA - TECHNICAL SPECIFICATIONS		
Model	EVO-05NCD (White bezel)	EVO-05NDD (Black bezel)
<b>General</b>		
Field of view	360°	
Image sensor	5 megapixel; Array Format (Active) 2592H x 1944V = 5,038,848 pixels	
Angle of view	180° hemisphere	
Lens	185° 1.6mm / F2.0	
Minimum illumination	0.1 lux	
Frame rate	10 fps typical at maximum resolution and up to 15 fps for all other resolutions	
Video Motion Detection	10 regions of interest; VMD; configurable response; adjustable characteristics	
External input	1x contact input	
External output	1x contact output	
Security	Multilevel access with configurable passwords	
Advanced event management	Triggered by motion, external input or HTTP event, Result configurable; external output, FTP/SMTP upload, (Local recording, future feature via firmware update)	
Networking	HTTP, DHCP, DNS, NTP, FTP, SMTP, RSTP	
Privacy	10 configurable privacy regions	
On-board storage	Built-in SD Card slot (future feature via firmware update)	
Audio connections	Audio in; Microphone input via 3.5mm jack	
Analogue video out	BNC connection – selectable between PAL or NTSC	
<b>Electrical</b>		
Ports	RJ45 for 100Base-TX; 2.1mm DC Input jack; 6-pin 1.5mm Phoenix for external I/O, BNC	
Network cable type	CAT5 or better for 100Base-TX	
Power input	12V, 1.0A (min) "LPS or NEC Class 2" power supply or from a LAN with POE accordance with IEEE standard 802.3af.	
Power consumption	8W typical	
<b>Mechanical</b>		
Camera mount	Behind ceiling or wall to conceal the camera module from view via flush mounted adaptor ring	
Weight	0.45kg (0.95lbs)	
Enclosure	Die-cast aluminium camera module with polycarbonate mounting adaptor and clamping ring	
<b>Environmental</b>		
Operating temperature range	-40 to +55°C (-40 to +131°F)	
Storage temperature range	-40 to +70°C (-40 to +158°F)	
Cut out required	Diameter cut out; 64mm (2 1/2"), Max / Min ceiling or wall material thickness; 3mm (1/4") – 25mm (1")	
<b>Video</b>		
Video stream1 codec	H.264 / Motion JPEG	
Video stream1 compression level	Multi-levels of compression adjustment	
Video stream1 resolution	Fisheyes at: ¼ MegaPixel (528x480), 1Mp (1056x960) , 2Mp (1488x1360), 4Mp (2144x1944)	
Video stream2 codec	Motion JPEG	
Video stream2 compression level	Multi-levels of compression adjustment	
Video stream2 resolution	Fisheye at: ¼ Megapixel (528x480)	
Image control	Settings: brightness/contrast/saturation/exposure compensation; compression quality; wall/ceiling/table mount	
Image enhancement	Wide Dynamic range - Greater than 90db	
VMS / NVR / HDVR supported	Most major VMS / VMS / HDVR systems (contact Oncam Sales for latest list)	
Web browser compatibility	Internet Explorer (with ActiveX plug-in, supplied); Firefox; Chrome	
<b>Certifications / Ratings / Patents</b>		
Patents	15 patents; 15 patents pending; 20 licensed patents	
Approvals	IEEE802.3af Class 2; EMC: (CISPR Class A) FCC; CE; ICES-003; Safety: UL60950	
Other related products	Oncam Grandeye SDK integration pack, Evolution Accessories, Oncam IPZoom 360° camera and software; Conceal-mounting IP camera (IPC); Surface-mounting IP camera (IPW); Thin-mounting IP camera (IPT); Halocam-R 3-megapixel analogue camera; Halocorder high-resolution 360° recorder	

Oncam Grandeye | 115 Hammersmith Road, London, W14 0QH UK | [www.oncamgrandeye.com](http://www.oncamgrandeye.com) | t: + 44 (0) 20 7371 6640 | e: [sales@oncamgrandeye.com](mailto:sales@oncamgrandeye.com)

Copyright 2012 by Oncam Global Group AG. Oncam Grandeye is a trade name of Oncam Global Group AG. All rights reserved. All screen images are simulated. Specifications and configurations subject to change without notice. Grandeye and Halocam are trademarks of Grandeye Ltd. Oncam and IPZoom are trademarks of Oncam Global Group and its subsidiaries. The names of companies, entities, organizations and/or products/services mentioned herein may be the trademarks of their respective owners.

(March 2013 – Rev2.1eu)