

VPort D361 Series

1-channel H.264/MJPEG industrial video decoder



- > Decode H.264 and MJPEG video streams to an analog video signal automatically
- > Manual selection or automatic scan with maximum of 64 video sources
- > 2-way (1 in, 1 out) audio supported
- > Transparent PTZ control with legacy PTZ controller
- > SNMP for network management



Introduction

The VPort D361 is a 1-channel video decoder for decoding H.264/MJPEG video streams from VPort series video encoders and VPort IP cameras back to analog video signals. The analog video signal can be sent to legacy CCTV devices, such as monitors, multiplexers, and matrix switches, which can be used as originally intended as part of CCTV systems. In addition, bi-directional audio enables ready-to-use voice-over-IP communication between the video encoder and decoder.

Monitoring your cameras that are part of a large CCTV system is easy with the VPort D361, which can be set up to switch between different video sources either manually or automatically within a given time interval. Up to 64 video sources can be included in the list. In addition, the 2 DIs located on the top panel of the VPort D361 can be used to create 2 control buttons for up and down video source selection.

Specifications

Video

- Video Decoding:** H.264 (MPEG4 part 10), MJPEG (auto-detecting)
- Video Inputs:** Accepts video streams from H.264/MJPEG VPort series video encoders and IP cameras over TCP/IP networks
- Video Outputs:** 1, BNC connector (1.0 Vpp, 75 ohms), NTSC or PAL
- Video Resolution:** Max. of 540 TVL lines
- Video Sources:** Up to 64, selected manually by web server or digital inputs, or selected automatically by scanning within a set time interval
- Video Viewing:**
 - Max. 30/25 FPS (NTSC/PAL) can be decoded
 - OSD (on-screen display) with video source, video source IP, date/time, and customized information

Audio

- Audio Inputs:** 1 Line-in or Mic-in with 3.5 mm phone jack
- Audio Outputs:** 1 Line-out with 3.5 mm phone jack
- Audio Format:** Mono, PCM

Network

- Protocols:** TCP, UDP, HTTP, SMTP, NTP, DNS, DHCP, UPnP, RTP, RTSP, SNMPv1/v2c/v3, Modbus/TCP
- Ethernet:** 1 10/100Base(T)X auto negotiating RJ45 port

Serial Port

- PTZ Ports:** 1, RS-232/422/485 (terminal block connector), max. 115.2 Kbps

- Console Port:** 1 RS-232 RJ45 port

GPIO

- Digital Inputs:** 2, max. 8 mA
- High: +13 to +30 V; Low: -30 to +3 V
- Relay Outputs:** 2, max. 24 VDC @ 1 A

LED Indicators

- STAT:** Indicates if the system booted properly or not
- PWR:** Power Input
- FAULT:** Can be configured to correspond to system alarm or disconnected network

Power Requirements

- Input Voltage:** 1 12/24 VDC or 24 VAC input
- Power Consumption:** Max. 6.5 W

Physical Characteristics

- Housing:** Metal, IP30 protection
- Dimensions:** 52.98 x 135 x 105 mm (2.09 x 5.31 x 4.13 in)
- Weight:** 890 g (1.96 oz)
- Installation:** DIN-Rail mounting, wall mounting (with optional kit)

PAN/TILT/ZOOM

- PTZ Camera Control:** Transparent PTZ camera control with legacy PTZ controller through the RS-232/422/485 PTZ port

Security

- Password:** User level password protection
- Filtering:** By IP address

Environmental Limits

- Operating Temperature:**
 - Standard Models: 0 to 60°C (32 to 140°F)
 - Wide Temp. Models: -40 to 75°C (-40 to 167°F)
- Storage Temperature:** -40 to 85°C (-40 to 185°F)
- Ambient Relative Humidity:** 5 to 95% (non-condensing)

Standards and Certifications

EMI: FCC Part 15 Subpart B Class A, EN 55022 Class A

EMS:

EN 61000-4-2 (ESD) Level 3,
 EN 61000-4-3 (RS) Level 3,
 EN 61000-4-4 (EFT) Level 3,
 EN 61000-4-5 (Surge) Level 3,
 EN 61000-4-6 (CS) Level 3,
 EN 61000-4-8,
 EN 61000-4-11

Shock: IEC 60068-2-27

Freefall: IEC 60068-2-32

Vibration: IEC 60068-2-6

Note: Please check Moxa's website for the most up-to-date certification status.

MTBF (mean time between failures)

Time: 541,000 hrs

Database: Telcordia (Bellcore), GB 25°C

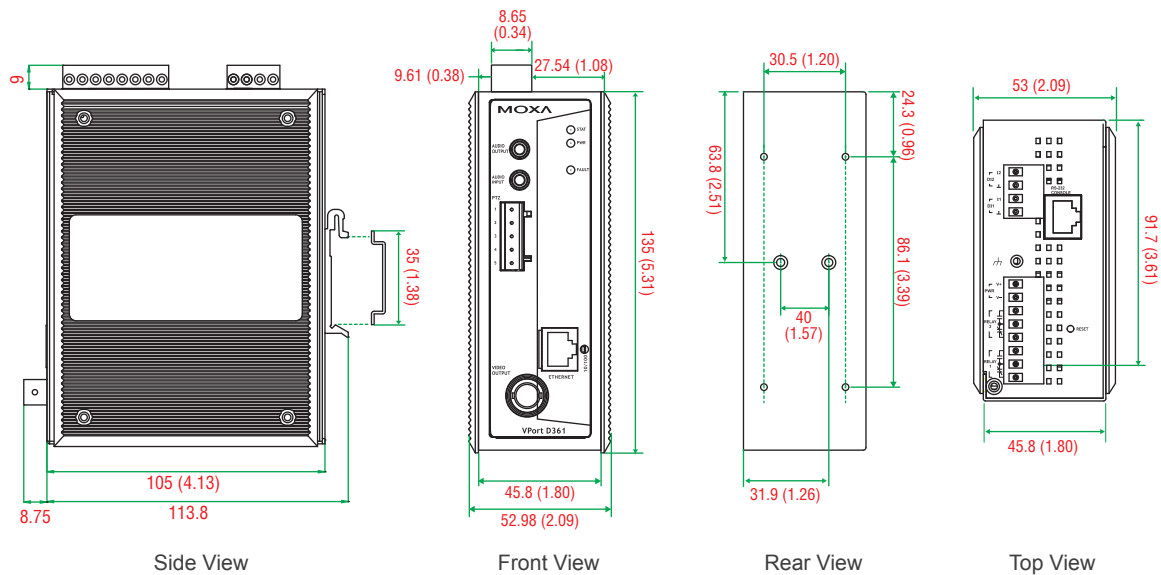
Warranty

Warranty Period: 5 years

Details: See www.moxa.com/warranty

Dimensions

Unit: mm (inch)



Ordering Information

Available Models

VPort D361: 1-channel H.264/MJPEG industrial video decoder, 0 to 60°C operating temperature

VPort D361-T: 1-channel H.264/MJPEG industrial video decoder, -40 to 75°C operating temperature

Optional Accessories (can be purchased separately)

DR-4524/75-24/120-24: 45/75/120 W DIN-Rail 24 VDC power supplies

WK-46: Wall mounting kit

RK-4U: 4U-high 19" rack mounting kit

Package Checklist

- VPort D361 video decoder
- 4-pin terminal block for 2 digital inputs
- 8-pin terminal block for 1 power input and 2 relay outputs
- 5-pin terminal block for the RS-232/422/RS-485 PTZ control port
- Documentation and software CD
- Quick installation guide (printed)
- Warranty card