

Rear View Camera

Ultra-high resolution rear view camera for mobile transit vehicles



OVERVIEW

The MobileView® Ultra-High Resolution Rear View Color Camera is ideally suited to secure and protect occupants of mobile transit vehicles. Featuring innovative sensitivity-enhancement technology, these cameras deliver outstanding quality day or night. Even in difficult lighting conditions, integrated infrared (IR) LEDs turn on automatically in low ambient light to ensure high-quality image capture.

Transit vehicles don't have rear windows, making it almost a certainty that blind spots exist. Installation of the rear camera, installed with MobileView's high resolution monitor, will give operators peace of mind when maneuvering a large fleet vehicle. When your operators feel safe, passengers feel safer. Operators will be able to gauge how close they are to other vehicles when going into reverse or making lane changes. Increase driver awareness and help eliminate accidents that can easily be avoided with the installation of MobileView's rear camera.

STANDARD FEATURES

- High-Density 1/3" Sony EX-View (960H) CCD
- Sony Enhanced Hi-Res DSP
- 650 TV lines
- Wide view 2.9mm
- Waterproof (IP 68)
- 8pcs of 850 nm IR LEDs
- Rugged, aluminum housing
- Easy installation and angle control
- Wide Operating Voltage Range: DC12~48V

Rear View Camera

Ultra-high resolution rear view camera
for mobile transit vehicles

Specifications

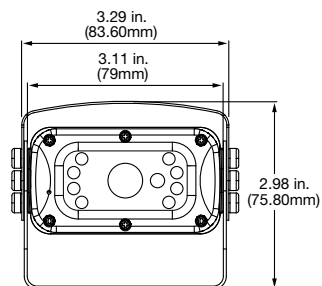
Image Sensor	High-density 1/3" Sony EX-View (960H) CCD
Image Processor	Sony Enhanced Hi-Res DSP
Effective Pixel	NTSC: 976 (H) x 94 (V) / PAL: 976 (H) x 582 (V)
TV System	NTSC/PAL
High Resolution	650TVL
Lens	2.9 mm (120°)
IR LEDs	8pcs of 850nm IR LEDs
Protection Rating	IP68
Power Supply	DC 12V ~ 48V
Operating Temperature	-30°C ~ 85°C (-22°F ~ 185°F)
Scan Frequency	NTSC=59.94Hz (V), 15.734KHz (H) / PAL=50Hz (V), 15.625KHz (H)
Day/Night Functionality	Color Only
Sensitivity	0.0003LUX
Synchronization	Internal
S/N Ratio	More than 50dB with AGC OFF at 50IRE
Electronic Shutter	NTSC=1/60 ~ 1/100,000sec PAL=1/50 ~ 1/100,000sec
Mirror	Mirror enabled through cable jumper
Back Light Comp.	Built-in
Auto Gain Control	Built-in
White Balance Control	1,800 ~ 10,500°K Automatic tracking
Gamma Correction	0.45
Power Consumption	12V (ON: 170mA / OFF: 120mA), 24V (ON: 80mA / OFF: 60mA)
Weight	345g
Regulatory	CE, FCC

Ordering Information

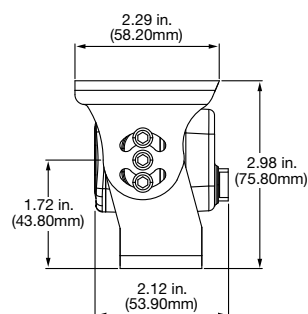
MVC-7300-29-WI	MobileView® Rear View Camera, 2.9 mm lens, White
MVC-7300-29-B	MobileView Rear View Camera, 2.9 mm lens, Black

Dimensional Diagrams

Front View



Side View



interlogix.com/mobileview

Specifications subject to change without notice.

© 2013 UTC Climate, Controls & Security,
a unit of United Technologies Corporation.
All rights reserved.

212-3618 2013/09 (73250)