



## SLI070

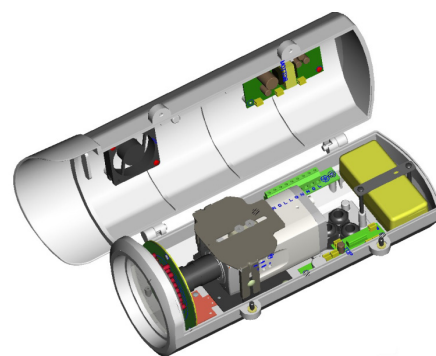
IR housing, IR distance 70 M (230 ft),  
IP67, Vandal-proof, Side-open



Overview view



Front View



Inside View

### Features

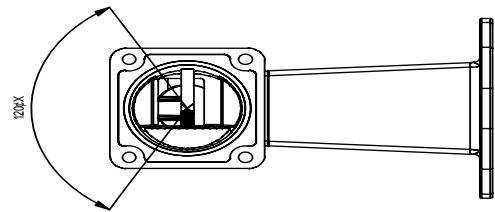
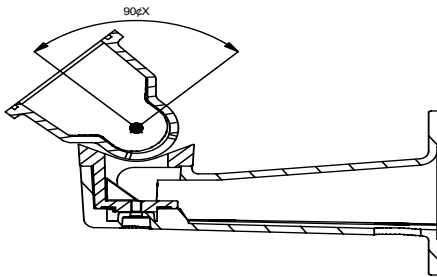
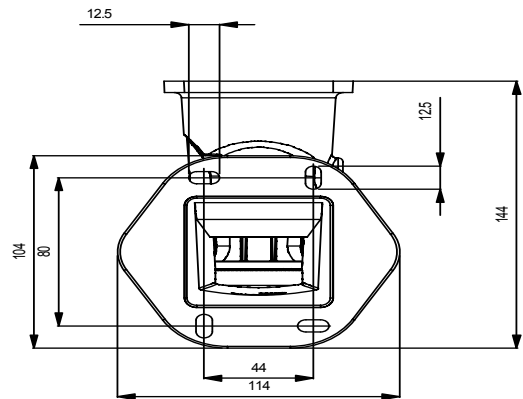
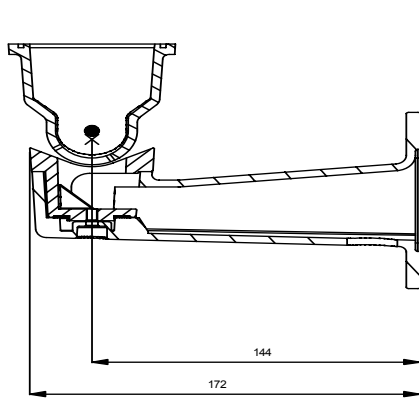
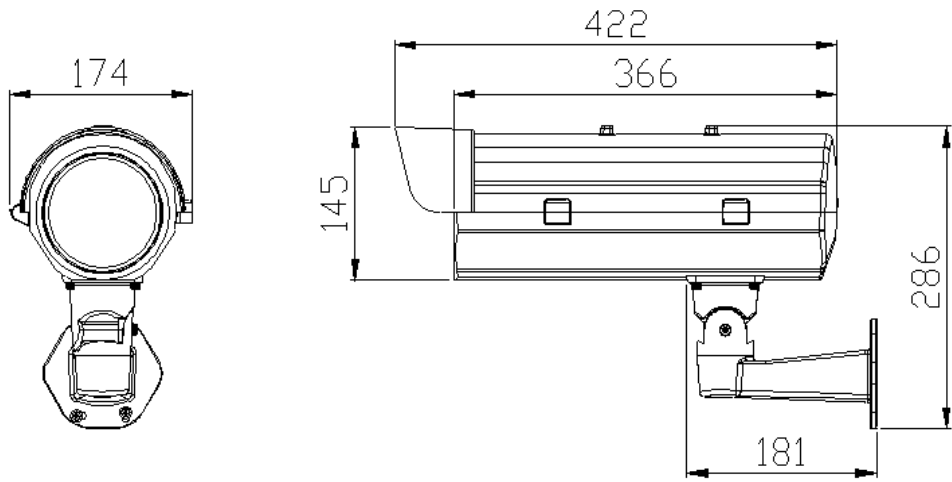
- Wide angle IR LED lighting
- Waterproof complies with the IP67 standard
- Side opening, easy to install camera
- Die-cast aluminium, resistant to impacts
- 25 kg (55lb.) load rating
- Resistant to salt damage
- Sturdy joint
- Internal cable management
- 6 mm tempered glass cover
- Available accessories: sunshield, brackets, mount adaptor (corner, ceiling, pole)

### Specifications

Model Name	SLI070		SAB754
Construction	Die-cast Aluminum		Aluminum
Color	White		White
Dimensions (HxDxW)	422 x 174 x 145 mm		172 x 144 x 114 mm
Weight	3500g		600g
Radiant Distance	70 M (230 ft)		
IR LED Angle	50°		
IR LED Quantity	96 units		
Suitable camera dimension (HxDxW)	less than 210x70x90 mm		
View angle of camera suggested	less than 50°		
Diameter of lens suggested	less than 45 mm		
Operating temperature	-30°C (-22°F) ~ 50°C (122°F)		
Operating humidity	90 % RH (max)		
Storage temperature	-40°C (-40°F) ~ 60°C (140°F)		
Camera Sync Input	Yes (V-sync)		
Power Consumption	35 W (MAX.)	40 W (MAX.)	
Power	AC24V	AC90-260V	
Ordering Information	SLI070HB-2+SAB754	SLI070HB-7+SAB754	
	Heater & blower included	Heater & blower included	
Accessory	SAB726/ SAD707 / SAD708 / SAS 725		
Housing Package (HxDxW)	4 pieces in one carton (single dimension - 440x155x158 mm)		
Bracket Package (HxDxW)	8 pieces in one carton (single dimension - 194x142x121 mm)		



Unit : mm



Secure in Knowledge  
[www.messoa.com](http://www.messoa.com)

2008.09.11 version  
MESSOA Taiwan e-mail: info@messoa.com  
MESSOA USA e-mail: info.us@messoa.com