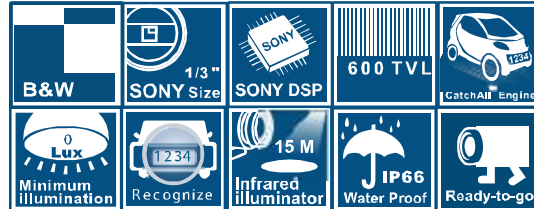




SCR 505 close-range plate capture camera



The SCR505 is a high-performance plate-capture camera, equipped with a 1/3" SONY CCD. The SCR505's outstanding feature set ensures seamless integration and enhanced performance when used in conjunction with external License Plate Recognition (LPR) software.

Outfitted with powerful 850 nm IR, the SCR505 works perfectly even in total darkness to deliver clear plate images. Its varifocal IR-corrected lens keeps it in focus day and night, optimizing performance even in very low light conditions. In short, the SCR505 provides the kind of reliability and round-the-clock surveillance-and-capture capabilities crucial to maximizing the efficiency of LPR applications.

High Contrast Image

The SCR505 features high-contrast imaging performance that delivers sharp, clear license-plate captures, even of vehicles moving at 90km/h, in bad weather, and in low-light conditions.

Powerful IR

Its powerful IR functionality and IR-corrected lens deliver perfect image captures and outstanding images all day long. It is also equipped with a high-power LED to help minimize energy usage.

Wide Range Capture

Its built-in 9-22mm lens captures a wide 3-8 m(10-27 ft) field.

Rain Guard/ Extendable Sunshield

The camera's rain guard and extendable sunshield minimize the effects of rain and sunlight on image quality.

Easy Installation

The cable-management bracket enables easy installation in any location, including walls, surfaces, and ceilings.

2009.8.20 version.

MESSOA reserves the right to update this datasheet at any time without notice.

MESSOA USA e-mail:info.us@messoa.com/MESSOA Taiwan e-mail:info@messoa.com



Specifications

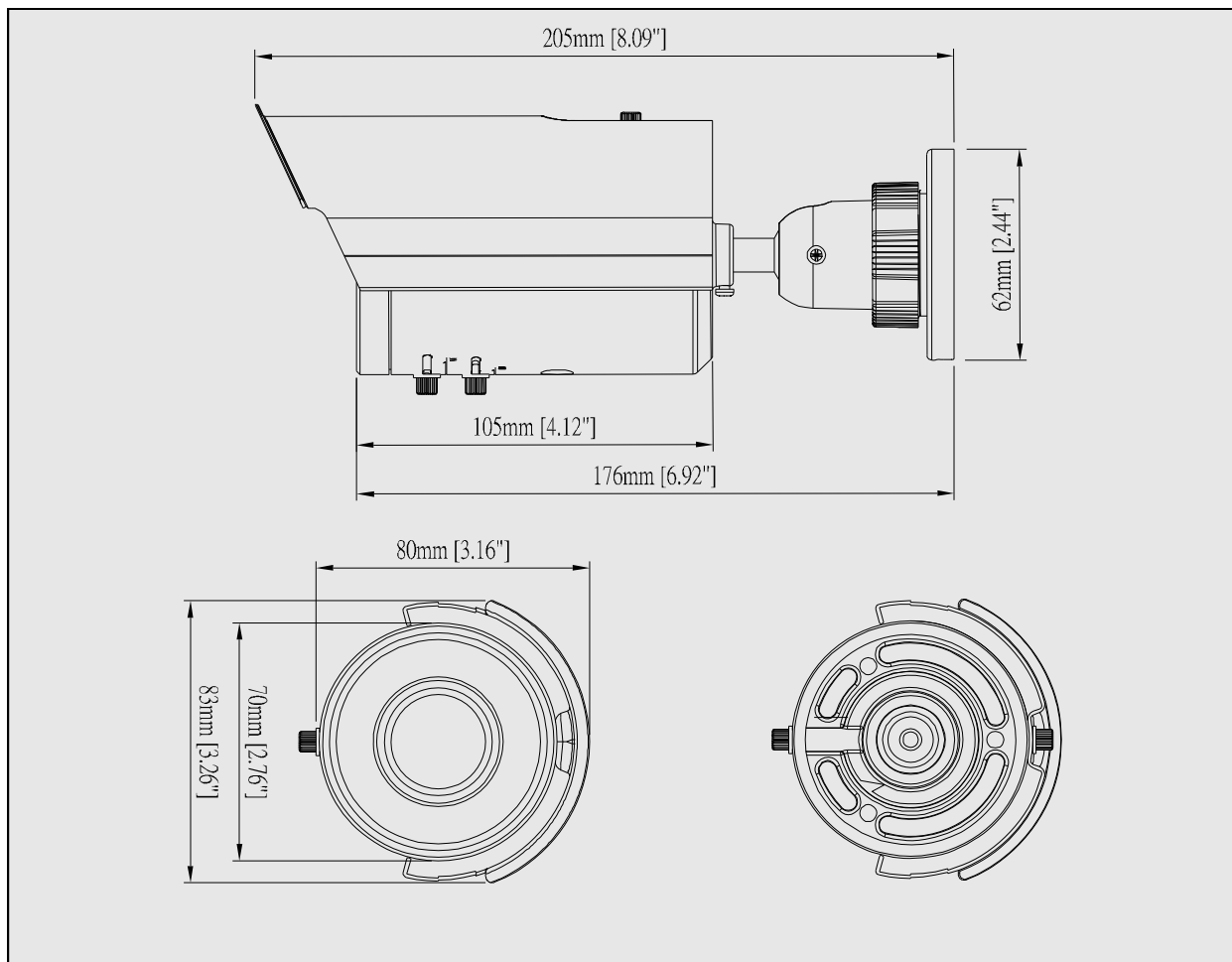
Image system		
Signal system	NTSC	PAL
Image Sensor	1/3" SONY CCD	
Effective pixels(HxV)	768 x 494	752 x 582
Electric		
Scanning system	2:1 Interlace V: 59.94Hz,	2:1 Interlace V: 50Hz,
	H: 15.734KHz	H: 15.625KHz
Sync system	Internal	
Horizontal resolution	600 TV lines	
Built-in lens	f=9mm ~ 22mm, F1.4 DC iris varifocal IR-corrected lens External adjustments (zoom and focus)	
View angle	Horizontal: 32.1°(wide) ~ 13.1°(tele) Vertical: 23.3°(wide) ~ 9.8°(tele)	
Gamma correction	0.45	
Minimum illumination	IR LED ON: 0lux	
S/N ratio	More than 50dB (AGC off)	
BLC	Auto(Center Weighting)	
Video output	1Vpp composite output, 75 ohm	
IR LED	Super power LED 36pcs	
IR wavelength	850nm	
IR distance	15 Meter (49.2 feet)	
Capture range	3~8 Meter (10-27 ft.)	
Capture speed	up to 90 km/h (56 mph)	
LED life	More than 10,000 hours (50°C/122°F)	
Power supply		
Power requirement	DC12V/AC24V	
Power consumption	10W (max.)	
Environment		
Operating temperature	-10°C ~ 50°C (13.9 °F ~ 122°F)	
Operating humidity	30 ~ 90% RH	
Storage temperature	-20°C ~ 60°C (-4°F ~ 140°F)	
Mechanism		
Dimensions(øxH)	ø83mmx205mm (ø3.26" x 8.09")	
Weight	610g (1.35 lb)	
Construction	Sunshield ; Cable management bracket Compact die-cast aluminum ; Tempered Glass	
Protection class	IP66 ; Vandal-resistance	
Ordering Information	SCR505-HN5	SCR505-HP5

2009.8.20 version.

MESSOA reserves the right to update this datasheet at any time without notice.

MESSOA USA e-mail:info.us@messo.com/MESSOA Taiwan e-mail:info@messo.com

Dimensions



2009.8.20 version.

MESSOA reserves the right to update this datasheet at any time without notice.

MESSOA USA e-mail: info.us@messo.com/MESSOA Taiwan e-mail: info@messo.com