



VideoSphere PTZ

VideoSphere® PTZ Cameras from March Networks® combine high quality video and encoding performance with reliable mechanical design. These IP-based, pan-tilt-zoom (PTZ) domes provide fully compressed H.264 digital video for unmatched image quality in a variety of lighting conditions. In addition, all VideoSphere PTZ cameras are easily programmed for accurate positioning, multiple presets, guard tours and privacy masking capabilities.

SUPERIOR IMAGE QUALITY

VideoSphere PTZ cameras are offered in either D1 or 2 megapixel video resolution to cover a wide range of applications. The VideoSphere MicroDome PTZ and MiniDome PTZ models include D1 resolution, a 10x optical zoom and a True Day Night camera/lens design that is ideal for low light conditions. The VideoSphere MegaDome PTZ camera provides up to 2 megapixel resolution to ensure exceptionally detailed images.

ADVANCED COMPRESSION

All VideoSphere PTZ cameras use H.264 / MPEG-4 compression technology to deliver as much as 20 times the efficiency of comparable JPEG-based IP cameras. The technology enables organizations to reduce bandwidth and storage costs significantly and archive higher quality video for longer periods of time.

INDOOR AND OUTDOOR APPLICATIONS

The small form factor design of the MicroDome PTZ and MiniDome PTZ cameras make them well suited for discrete video surveillance in indoor or outdoor applications. The MiniDome and MegaDome are rated to withstand dust and rain, while the MicroDome PTZ outdoor model offers an IP67 rating for more robust water entry prevention.

VideoSphere PTZ cameras are supported by March Networks' Video Management System (VMS) software and hybrid NVR platforms, working together with VideoSphere SiteManager desktop application software for comprehensive video monitoring.

FEATURES

- H.264 / MPEG-4 video compression to maximize efficient use of bandwidth and storage
- Up to D1 at 30 fps (MicroDome PTZ / MiniDome PTZ)
- Up to 2 megapixels at 15 fps with MPEG-4 (MegaDome PTZ)
- Fast and accurate preset acquisition
- Preset tours
- Privacy masks to conceal private information
- Indoor and outdoor models
- User name and password protection for enhanced security
- Browser interface for full programming
- Wide range of mounting accessories



VideoSphere PTZ Cameras

Technical Specifications



VideoSphere PTZ cameras are suitable for use in a wide range of environments, including airports, transit stations, hotels, health care and office complexes, university and college campuses, stadiums and other public venues.

Model	MicroDome PTZ	MiniDome PTZ
Sensor type	1/4" Interline Transfer CCD	1/4" Interline Transfer CCD
Lens size	3.8 - 38 mm	3.8 - 38 mm
Zoom – optical + digital	10x + 10x	10x + 10x
Light sensitivity – color	0.7 lux	0.7 lux
Slow shutter mode sensitivity (day/night auto)¹	0.01 lux	0.02 lux
Signal-to-noise ratio	50 dB	50 dB
White balance	Auto; manual	Auto; manual
Backlight compensation	Yes	Yes
AGC, Auto Iris	Yes	Yes
Compression	H.264 / MPEG-4	H.264 / MPEG-4
Max. resolution NTSC / PAL	D1; 768x494 / 752x582	720x480 / 720x576
Max. frame rate	30 fps @ D1	30 fps @ D1
Audio		One-way
Presets	240	128
Tours	4	4
Pan rotation speed	400° /sec	180° /sec; 360° /sec on presets
Tilt coverage	95°	90°
Network interface	Ethernet 10/100 Mbps	Ethernet 10/100 Mbps
Input voltage	PoE (indoor); 12 VDC	12 VDC
Power consumption	12 W	12 W
Operating temperature	32 to 122°F / 0 to 50°C (indoor) 14 to 122°F / -10 to 50°C (outdoor)	32 to 104°F / 0 to 40°C
Relative humidity	8 - 90% non-condensing	8 - 90% non-condensing
Weight	1.8 lbs / 0.8 kg (indoor) 3.08 lbs / 1.4 kg (outdoor)	2.6 lbs / 1.2 kg
Dimensions (H x D)	5.1 x 4.9 in. / 13.0 x 12.4 cm (indoor) 6.4 x 5.2 in. / 16.2 x 13.2 cm (outdoor)	6.42 x 6.5 in. / 16.31 x 16.5 cm
Environment	Indoor and outdoor (IP67) models	Indoor / outdoor (IP65)
Mounting options	Surface mount (indoor) Pendant-ready (outdoor)	Surface mount
Mounting accessories	Wall and pendant	Pendant, wall, corner, pole
Certifications	CE – EMC Directive 2004/108/EC, Standards EN55022, EN55024 FCC Part 15 Subpart B, ICES-003	CE – EMC Directive 2004/108/EC, Standards EN55022, EN55024 FCC Part 15 Subpart B, ICES-003



MegaDome PTZ

1/3" CMOS Progressive Scan

4.5 - 72 mm

16x + unlimited

0.8 lux

< 0.1 lux

42.3 dB

Auto; manual

Yes

Yes

H.264 (D1) / MPEG-4

1600x1200

15 fps @ 1600x1200; 30 fps @ D1

200

4

Up to 400° /sec on presets

90°

Ethernet 10/100 Mbps

24 VAC

50 W

14 to 122°F / -10 to 50°C

8 - 90% non-condensing

5.5 lbs / 2.5 kg

10.55 x 10.24 in. / 26.8 x 26.01 cm

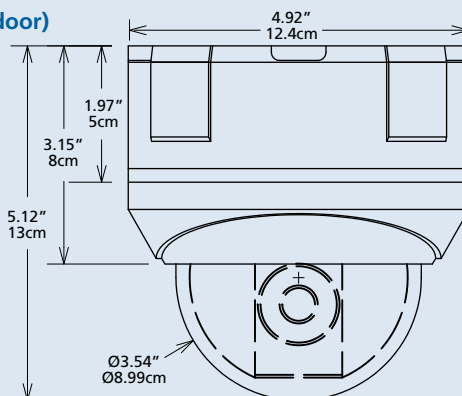
Indoor / outdoor (IP66)

Wall, corner wall, pole,
ceiling (surface), swan neck

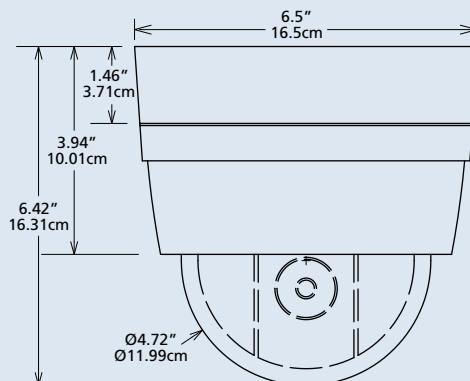
Wall, corner, pole

CE – EMC Directive 2004/108/EC,
Standards EN55022, EN55024 FCC
Part 15 Subpart B, ICES-003

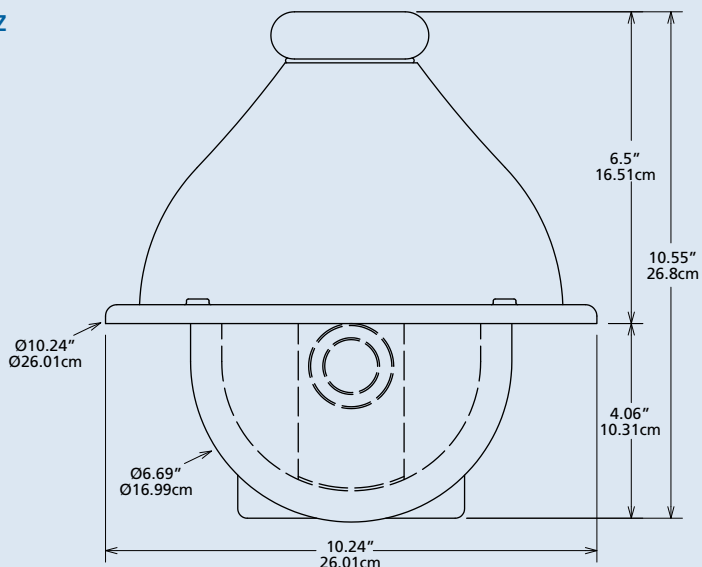
MicroDome PTZ (Indoor)



MiniDome PTZ



MegaDome PTZ



VideoSphere PTZ Cameras

VideoSphere MicroDome PTZ Camera

The VideoSphere MicroDome PTZ is a state-of-the-art camera that provides Power over Ethernet (PoE) in a small form factor design. Its PoE capability eliminates the need for power outlets at the camera and facilitates the centralized use of uninterruptible power supplies (UPS) to ensure reliable operation around-the-clock. The MicroDome PTZ is a 10x optical zoom, True Day Night camera with removable IR cut filter for low-light sensitivity and ultra-clear, night-time image quality. Complete with an integrated web server, the camera's status and video can be remotely managed from any location. In addition, the MicroDome PTZ can stream up to three simultaneous video streams (2 MPEG-4, 1 H.264) at maximum frame rates with D1 resolution for exceptional scalability and operational flexibility. Designed to meet IP67 standards for dust and water ingress protection, the outdoor model is able to withstand severe weather conditions.



VideoSphere MiniDome PTZ Camera

The VideoSphere MiniDome PTZ is a 10x optical zoom, True Day Night camera with a removable IR cut filter that provides low-light sensitivity and ultra-clear, night-time image quality. A maximum D1 resolution of up to 30 fps using H.264 / MPEG-4 compression technology ensures high quality video can be viewed in real time. With a high precision, pan/tilt drive and a rotation speed of as much as 360 degrees per second, the MiniDome PTZ enables extremely accurate and rapid camera positioning, and includes presets and guard tour functionality. An audio channel is also available.



VideoSphere MegaDome PTZ Camera

The VideoSphere MegaDome PTZ is an innovative, award-winning camera, and the first in the industry to combine megapixel PTZ capability with MPEG-4 compression. The camera supports resolutions of up to 1600 x 1200 (2 megapixels) at 15 fps and 1.3 megapixels at real-time frame rates to deliver high quality video with exceptional motion capture. It can also transmit an H.264 video stream at D1 resolution. Able to rotate up to 400 degrees per second, the MegaDome PTZ provides extremely accurate and rapid camera positioning. Its convenient presets, which include auto-homing and guard tours, are enhanced with automated focus and backlight compensation features and a 16x optical zoom.



High quality, 2 megapixel video



16x optical zoom



Unlimited digital zoom for post event reconstruction

NOTE: ¹ With IR cut filter removed.

PN 060-3039-00-F

North America ————— 1 800 563 5564
Latin America ————— +1 613 591 8181
Europe, Middle East and Africa ————— +39 0362 17935
Asia Pacific ————— +61 1300 089 419

www.marchnetworks.com

March Networks EMEA
Via Lavoratori Autobianchi, 1
Edificio 23
20033 Desio - Milano - ITALY
Phone: +39 0362 17935
Fax: +39 0362 1793590

March Networks
Corporate Headquarters
303 Terry Fox Drive
Ottawa, Ontario - CANADA K2K 3J1
Phone: +1 613 591 8181
Fax: +1 613 591 7337