

VideoSphere CAMPX



The **VideoSphere® CamPX MicroDome** from March Networks® is a fixed dome IP camera with Wide Dynamic Range (WDR) and True Day/Night (TDN) capabilities that define the next level in low-light color performance.

CLEAR IMAGES IN ANY LIGHTING CONDITION

The CamPX MicroDome combines all of the advantages of traditional CMOS technology with the low-light performance typically found in CCD cameras. This low-light performance allows the camera to deliver color images in near-dark conditions. The camera's TDN feature renders a black and white image when the light level drops below a user-definable threshold. In addition, through advanced new technology, individual pixels can adjust to both highlights and lowlights in the same scene.

EASY INSTALLATION AND SETUP

The camera's Power over Ethernet (PoE) design allows for easy installation by removing the burden associated with additional cable requirements for power. In addition, the 3-axis gimbal enables single-handed camera positioning during installation. The camera's remote zoom feature — complete with autofocus — eliminates the need to adjust focal length and focus settings from the top of the ladder. You can zoom in on the scene at any time with a single click.

SYSTEM INTEGRATION

The CamPX MicroDome seamlessly integrates with March Networks Command¹ or VideoSphere Video Management System (VMS) software and hybrid NVRs. The camera is ONVIF-compliant, allowing it to be used with a variety of third-party systems.

VIDEO STREAMING

The camera's support for H.264 compression technology results in up to 20 times the efficiency of comparable JPEG-based IP cameras. This allows for archiving of higher-quality video for longer periods of time, while significantly reducing bandwidth and storage costs. Combine that with the camera's ability to accommodate up to two simultaneous H.264, MPEG-4 and M-JPEG compression streams, and the result is efficient video transmission plus high-quality video recording.

BUILT-IN REDUNDANCY

The CamPX MicroDome can record a video stream in parallel to an internal SD High Capacity (SDHC) card or to a Network Attached Storage (NAS) device to provide redundant recording in the event of a network outage or server failure. When the camera is used with March Networks Command or VideoSphere VMS software and hybrid NVRs², an innovative Shadow Archiving feature provides seamless access to redundant video for total fail-safe management. It does this by forming a "shadow" on the central recording server of all the data available on the camera and NAS devices.

FEATURES

- Revolutionary color low-light technology with Pixim Seawolf chip
- Wide Dynamic Range and True Day/Night
- Shadow Archiving™ with SDHC or NAS
- ONVIF™ compliant for open integration with third-party systems
- Multi-streaming H.264, MPEG-4 and M-JPEG (up to 2 streams simultaneously)
- Indoor/outdoor vandal-resistant housing
- Operating temperatures of -40 to 122°F / -40 to 50° C
- Remote zoom with autofocus for easy setup
- 3-axis gimbal for one-handed camera positioning
- One housing, two direct mounting options
- Power over Ethernet

PART NUMBERS

- CAMPMICRODE
- Part Numbers for mounts on page three

Providing clearer, brighter images in low-light conditions



The CamPX MicroDome delivers clear images, in color, in near-dark conditions.



When the lux level drops below a predetermined threshold (defined by the user), the camera switches to B/W, allowing you to discern detail virtually in the dark.

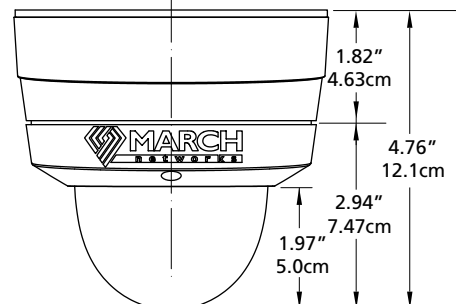
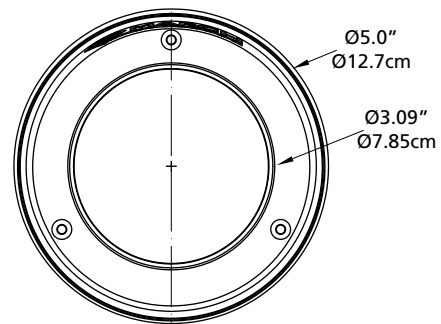


Competitor's camera without low-light sensitivity; details are lost in the dark.

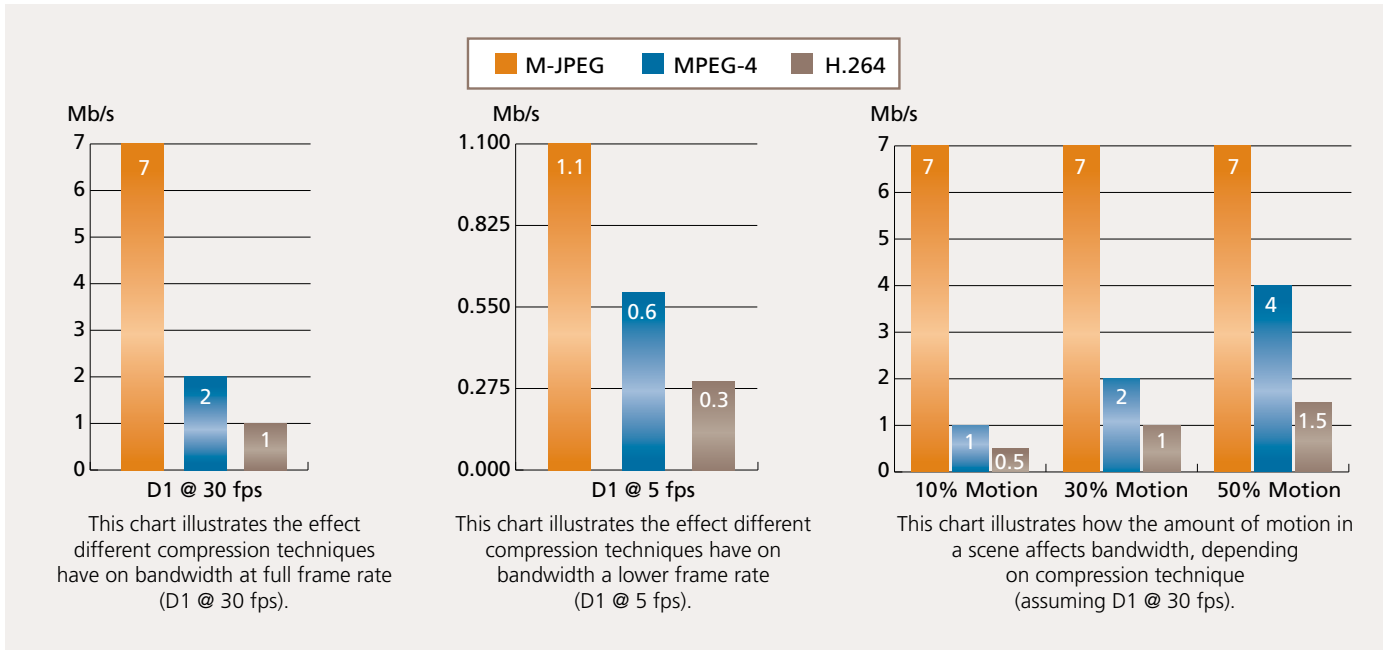
surface ring

camera, lens,
gimbal assembly

bubble and
trim ring



Our cameras implement H.264 compression. The most efficient video compression technique available, H.264 yields full frame rate and high video quality at low bandwidth.



WDR vs. Non-WDR



The CamPX MicroDome's WDR and TDN features combine to deliver clear, high-quality video images in the most challenging lighting conditions.

DIRECT MOUNTING OPTIONS




surface mount



flush mount



INDIRECT MOUNTING OPTIONS

	Part Number	Description
	MICRONPTCAP	1.5" NPT mount adapter for mounting CamPX MicroDome to industry standard 1.5" NPT mounts.
	HOMINIDOMEPEMA	Pole Mount Adapter for CamPX MicroDome (requires HOMINIDOMEWB Wall Mount).
	HOMINIDOMEWB	1.5" NPT Wall Mount Bracket for CamPX MicroDome. Requires NPT mount adapter (MICRONPTCAP), sold separately.

VideoSphere CamPX MicroDome

Technical Specifications

CAMERA

Image Sensor	1/3" progressive scan CMOS
Wide Dynamic Range	120 dB
Lens	2.9-8.5 mm, f1.9 with motorized zoom, pan focus, DC iris. Angle of view: 33°-82° (horizontal)
Day and Night	Automatically removable infrared cut filter
Minimum Illumination	Color: 0.1 lux B/W: 0.02 lux
Shutter Time	1/30720 s to 1/25 s
Camera Angle Adjustment	Pan 360°, tilt >185°, rotation 360°
Pan/Tilt/Zoom	Optical zoom 3X. Digital pan, tilt and zoom via VideoSphere SiteManager and Command.

VIDEO

Video Compression	H.264 (MPEG-4 Part 10/AVC), MPEG-4, M-JPEG
Resolution	704x576 to 352x288
Frame Rate	
H.264	25 fps (704 x 576); 30 fps (704 x 480)
MPEG-4	25 fps (704 x 576); 30 fps (704 x 480)
M-JPEG	25 fps (704 x 576); 30 fps (704 x 480)
Video Streaming	Multi-stream H.264, MPEG-4, and M-JPEG ³ Controllable frame rate and bandwidth CBR H.264 and MPEG-4, VBR M-JPEG (quality settings) Up to two simultaneous streams with any combination of compression, resolution and frame rate (primary stream H.264 or MPEG-4)
Image Settings	Preset, exposure control, dynamic range, anti-flicker, white balance bias, exposure bias, sharpness, color saturation, day/night behavior, mirroring of images

AUDIO

Audio Streaming	Two-way stereo
Audio Compression	G.711 PCM G.726 ADPCM Configurable bit rate (8-48 kHz)
Audio Input/Output	Line input, line level output

NETWORK

Security	Password protection, connection management, LDAP authentication, HTTPS encryption (configuration only)
Supported Protocols	ONVIF, RTP, RTSP, RTCP, HTTP, HTTPS, IPv4, TCP, UDP, DHCP, ARP, LDAP

SYSTEM INTEGRATION

Intelligent Video	Video motion detection, connection monitoring
Alarm Triggers	Video motion detection, external input
Alarm Events	External output activation; video recording to local storage (SDHC) and NAS

GENERAL

Housing	Polycarbonate transparent bubble Aluminum inner camera module with encapsulated electronics IP66 (NEMA 4X)
Power	Power over Ethernet IEEE 802.3af Class 0; 4W (heater off), 12W (heater on)
Connectors	RJ-45 100BASE-TX PoE; 1 alarm input; 1 alarm output; 3.5 mm line in; 3.5 mm line out
Local Storage	SD/SDHC memory card slot (card not included)
Operating Conditions	-40 to 122°F / -40 to 50°C 8 - 90% Relative Humidity non-condensing
Regulatory Approvals	UL 60950-1; FCC Part 15 Subpart B; CE EN55022; EN55024; ICES-003; RoHS Directive (2002/95/EC); C-Tick
Mechanical Weight	1.0 lb / 44.5 g
Dimensions (HxD)	4.76 x 5.0 in. / 12.1 x 12.7 cm
Direct Mounting Options	Surface mount; flush mount
Indirect Mounting Options (sold separately)	1.5" NPT mount adapter (for pendant mounting) 1.5" NPT wall mount, pole mount adapter
Included Accessories	Software CD (including Installation Guide and User Manual, VideoSphere SiteManager, and VideoSphere Browser), screwdriver and screws, mounting template

NOTES: ¹March Networks Command available in early 2011
²Shadow Archiving not available with March Networks 4000 C Series NVR or 3204 DVR systems.
³Maximum D1 on stream 1; maximum D1 on stream 2

North America ————— 1 800 563 5564
Latin America ————— +1 613 591 8181
Europe, Middle East and Africa ————— +39 0362 17935
Asia Pacific ————— +61 1300 089 419

www.marchnetworks.com

March Networks EMEA
Via Lavoratori Autobianchi, 1
Edificio 23
20033 Desio - Milano - ITALY
Phone: +39 0362 17935
Fax: +39 0362 1793590

March Networks
Corporate Headquarters
303 Terry Fox Drive
Ottawa, Ontario - CANADA K2K 3J1
Phone: +1 613 591 8181
Fax: +1 613 591 7337