

# MegaPX ATM Cameras

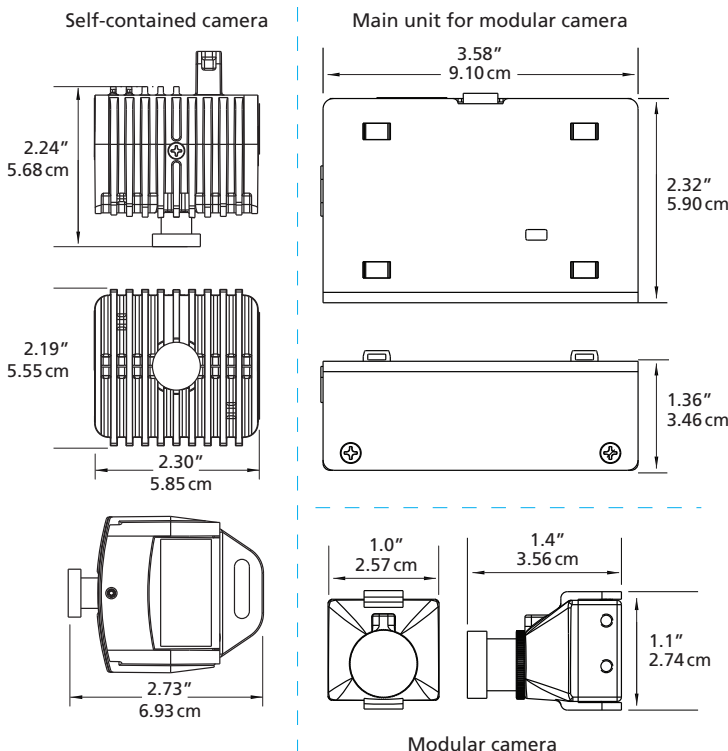
3MP camera with High Dynamic Range (HDR) and low-light capabilities, specifically designed for ATMs and available in a choice of styles: self-contained (for standard ATMs) or modular (for tighter spaces)



For banks and credit unions looking for reliable, discreet surveillance at ATMs, March Networks® is your one-stop ATM camera provider. These cameras deliver crystal-clear images at close range, even in bright light or near-dark conditions. And because the cameras were designed for easy installation within the unique environment of an ATM, you'll always get the perfect view of what's going on in front of it, no matter the ATM size or style.

## Key Benefits

- Accommodates every ATM model.** Choose from the self-contained camera for standard ATMs, or a modular camera for tighter spaces. Our portfolio of mounting brackets has been specifically designed for a wide variety of ATM models, and we can also custom-design a mounting bracket for your specific application.
- Ideal view of ATM users.** See an impressive 3 ft (91 cm) vertical view of the customer. Other cameras deliver a limited view of the customer, which results in loss of important details like wardrobe features.
- High Dynamic Range (HDR).** The camera blends the best parts of several separate exposures together to combine the most focused, well-lit, and colorful parts of the scene.
- The camera stays in place.** The mounting brackets feature a robust locking mechanism that withstands the daily door slams of the ATM cash vaulting process, so the camera will not shift, tilt or fall back over time.
- Find your critical video faster.** The Face Detection and Presence Detection analytics allow you to review snapshots/video of each instance of a face being in the camera's field of view.
- QR Code.** Use the March Networks GURU smartphone app to scan the camera's QR code for instant product information, like serial number, warranty information, etc.



*Solve cases and accelerate investigations by seeing what's happening in front of your ATMs*

# MegaPX ATM Cameras

## MODELS

<b>31763</b>	Self-contained camera with M12 standard lens, 2.8mm
<b>32044</b>	Self-contained camera with M12 pinhole lens, 3.7mm
<b>34112-101</b>	Modular (separate camera and main unit) with M12 standard lens, 2.8mm

## CAMERA

<b>Image Sensor</b>	1/2.8" CMOS 3MP
<b>Dynamic Range</b>	Multi-exposure High Dynamic Range
<b>Lens</b>	
<b>Standard</b>	Fixed iris, fixed focus, F1.2, 2.8mm
<b>Pinhole (self-contained camera only)</b>	Fixed iris, fixed focus, F1.2, 3.7mm
<b>Angle of View</b>	
<b>Standard</b>	93° horizontal
<b>Pinhole (self-contained camera only)</b>	80° horizontal
<b>Shutter Time</b>	1 to 1/10000s
<b>Minimum Illumination</b>	0.08 Lux

## VIDEO

<b>Video Compression</b>	H.264 and MJPEG
<b>Resolution</b>	3MP 2048 x 1536 to 352 x 288
<b>Optional Resolution Major Stream</b>	2048 x 1536, 1920 x 1080, 1280 x 720, 720 x 576, 352 x 288
<b>Minor Stream</b>	720 x 576, 352 x 288, D1
<b>Frame Rate</b>	Up to 30 fps (50/60 Hz) in all resolutions
<b>Video Streaming</b>	Dual-stream H.264 + MJPEG (full resolution on stream 1; maximum D1 on stream 2) Controllable frame rate and bandwidth CBR/VBR Up to two simultaneous streams with any combination of resolution and frame rate
<b>Image Settings</b>	Compression, Color, Brightness, Exposure, Sharpness, Contrast, White Balance, BLC, Mirroring, Saturation, Hue, Digital Zoom, Rotation, Text and image overlay, HDR, 3D Denoise, Privacy Masks, Motion Detection, Tampering Alarm

## NETWORK

<b>Security</b>	Password protection, IP address filtering, connection management, LDAP authentication, HTTPS encryption (configuration only)
<b>Supported Protocols</b>	ONVIF S RTP, RTSP, RTCP, HTTP, HTTPS, IPv4, TCP, UDP, DHCP, ARP, LDAP
<b>Interface</b>	10/100Mbps self-adaptive Ethernet (RJ-45)
<b>Internet Browser</b>	Internet Explorer (9.0+)
<b>Network Delay</b>	≤250ms

## SYSTEM INTEGRATION

<b>Intelligent Video</b>	Video motion detection (up to 4 areas), connection monitoring, active tampering, presence detection, face detection
<b>Event Triggers</b>	Intelligent video
<b>Event Actions</b>	External output activation Video recording to local storage (microSDHC) Notification via email, HTTP, and TCP Pre- and post-alarm video buffering

## GENERAL

<b>Housing</b>	Black powder-coated aluminum
<b>Power</b>	
<b>Self-contained camera</b>	12VDC; PoE
<b>Modular camera</b>	PoE
<b>Power Consumption</b>	3.5 Watts
<b>Local Storage</b>	MicroSD/MicroSDHC card slot supporting memory card up to 64 GB (card not included)
<b>Operating Conditions</b>	14° to 122° F (-10° to 50° C); 0-90% relative humidity, non-condensing
<b>Weight</b>	0.44 lbs (0.2 Kg)
<b>Dimensions</b>	
<b>31763 and 32044</b>	2.2 H x 2.3 W x 2.7 D in (55.5 H x 57.99 W x 69.3 D mm)
<b>34112-101 Camera</b>	1.1 H x 1.0 W x 1.4 D in (27.32 H x 25.65 W x 35.6 D mm)
<b>Main unit</b>	1.32 H x 3.58 W x 2.32 D in (34.57 H x 91 W x 59 D cm)
<b>Cable</b>	39.4 in (1 m) L
<b>Included Accessories</b>	
<b>31763 and 32044</b>	Long mounting bracket, short mounting bracket, software CD, PoE splitter, terminal adaptor
<b>34112-101</b>	Software CD
<b>Certification Model</b>	
<b>31763 and 32044</b>	C1801A
<b>34112-101</b>	C2901A
<b>Regulatory Approvals</b>	CE – EMC Directive; 2004/108/EC; Standards EN55022; CISPR22; AS/NZS CISPR22, EN 61000-3-2; FCC Part 15 Subpart B; ICES-003; EN50130-4 UL-60950-1; RoHS Directive (2011/65/EU); WEEE

## MOUNTING OPTIONS

Mounts for self-contained cameras (31763 and 32044)		Mounts for modular camera (34112-101)	
			
Short mounting bracket	Long mounting bracket	Standard mounting bracket	View Window mounting bracket for NCR 6634 ATM

## ORDERING INFORMATION

<b>CAMERA</b>	
31763	Single, self-contained camera with standard lens (2.8mm), short and long mounting brackets
32044	Single, self-contained camera with pinhole lens (3.7mm), short and long mounting brackets
34112-101	Modular camera unit with standard lens (2.8mm)
<b>MOUNTS &amp; ACCESSORIES</b>	
32458	Power supply – AC to 12VDC (for self-contained cameras)
34278	Standard mounting bracket and anti-glare cone (for modular camera)
34273	View window mounting bracket and anti-glare cone (for modular camera)