

# Edge 4e Encoder

The **Edge 4e** is a four-channel encoder that enables organizations to seamlessly convert video from existing analog cameras into digital video running on an IP video network. The high-performance device works in concert with Command VMS and 8000 Series Hybrid NVRs or industry-standard servers. It offers full frame rate resolution, H.264 and M-JPEG compression streams for bandwidth efficiency, and can record all four channels in parallel to an optional internal SDHC card for enhanced redundancy. As an added cost-efficiency, the Edge 4e Encoder requires the purchase of just one license for Command, for all four video channels. This makes it a compelling and affordable option for IP video migration in many enterprise environments.



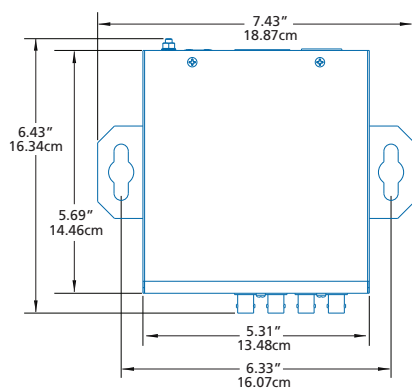
## HIGH-QUALITY AND ECONOMICAL

The Edge 4e provides the same high-quality encoding capability as March Networks 8000 Series Hybrid NVRs. Industry-standard Power over Ethernet (PoE) allows a single cable to power the encoder and connect it to the network, and you can easily setup and program the unit via a browser-based interface.

With features such as an RS-485 port for PTZ control, full-duplex audio, two alarm inputs, and two relay outputs that can trigger auxiliary equipment such as lights or external alarms, the Edge 4e Encoder is the ideal choice for a variety of applications.

## CONVERT YOUR ANALOG CAMERAS TO IP

Simply plug your analog cameras into the encoder to convert them to an IP signal, allowing you to leverage existing investments in analog cameras and migrate to all-IP video networking cost-effectively and at your own pace.



## SYSTEM INTEGRATION

The Edge 4e integrates seamlessly with March Networks Command™ video management software and high-performance hybrid NVRs to provide convenient browser-based management and innovations such as Shadow Archiving™ to ensure video is never lost.

## VIDEO STREAMING

The encoder can stream at 30 fps NTSC (25 fps PAL) at 4-CIF resolution, and record video independently to an optional SD High Capacity (SDHC) card. In addition, the encoder can accommodate dual H.264 and M-JPEG streams simultaneously, in real-time, to address different live or recording applications.

## FEATURES

- 4-Channel encoding
- 30fps NTSC / 25fps PAL on all channels
- Auto detection of video standard (NTSC/PAL)
- Alarms and audio
- PTZ control via RS-485 interface
- Active video tampering
- Privacy masks
- Customizable schedules and events
- Automatic local recording on motion
- 24 hour advanced health monitoring
- Shadow Archiving™ with SDHC
- Simultaneous H.264 and M-JPEG compression streams
- Desk, wall or rack mount (wall-mount brackets included)
- Power over Ethernet (PoE)
- March Networks Cloud support

## PART NUMBERS

- 30161 Edge 4e Encoder
- 31561 19-inch Rack Mount

# Edge 4e Encoder

## VIDEO

<b>Video Compression</b>	H.264, M-JPEG
<b>Resolution</b>	4CIF, 704 x 480 (NTSC) / 704 x 576 (PAL) 2CIF, 704 x 240 (NTSC) / 704 x 288 (PAL) CIF, 352 x 240 (NTSC) / 352 x 288 (PAL)
<b>Frame Rate</b>	up to 30 fps NTSC / 25 fps PAL
<b>Video Streaming</b>	Dual-stream H.264 and M-JPEG on all channels simultaneously Controllable frame rate and bandwidth CBR/VBR H.264; VBR M-JPEG (quality settings)
<b>Image Settings</b>	Brightness, contrast, sharpness, motion detection, privacy masks, mirror mode, image rotation

## AUDIO

<b>Audio Streaming</b>	Two-way, full-duplex
<b>Audio Compression</b>	G.711 PCM, G.726 ADPCM
<b>Audio Input/Output</b>	2/1

## ALARM

<b>Alarm Inputs</b>	2 dry-contact inputs
<b>Alarm Outputs</b>	2

## PTZ Control

<b>PTZ Control</b>	1 RS-485
--------------------	----------

## NETWORK

<b>Security</b>	Password protection, connection management, LDAP authentication, HTTPS encryption
<b>Supported Protocols</b>	RTP, RTCP, HTTP, HTTPS, IPv4, TCP, UDP, DHCP, ARP, LDAP

## SYSTEM INTEGRATION

<b>Intelligent Video</b>	Active tampering, video motion detection
<b>Alarm Triggers</b>	Active tampering, video motion detection, external input
<b>Alarm Events</b>	Video recording to local storage (SDHC); external output activation

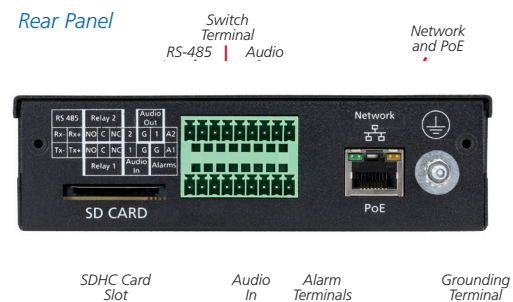
## GENERAL

<b>Power</b>	Power over Ethernet IEEE 802.3af Class 3 (13W Max)
<b>Connectors</b>	Female RJ-45 100BASE-TX PoE Alarm/Audio/RS-485 (terminal block), SDHC card slot
<b>Local Storage</b>	SDHC memory card (not included)
<b>Operating Conditions</b>	32° to 104°F / 0° to 40°C 8–90% Relative Humidity, non-condensing
<b>Regulatory Approvals</b>	CE – EMC Directive; 2004/108/EC; Standards EN55022; EN55024; EN50130-4; FCC Part 15 Subpart B; ICES-003; RoHS Directive (2002/95/EC); C-Tick
<b>Mechanical Weight</b>	1.5 lbs (0.6 Kg)
<b>Dimensions (HxWxD)</b>	1.51 x 5.31 x 5.69 in (3.8 x 13.5 x 14.5 cm)
<b>Included Accessories</b>	Software CD (including Installation Guide, User Manual, and Edge Device Browser), wall-mount brackets
<b>Optional Accessories</b>	19-inch Rack Mount

Front Panel



Rear Panel



19-inch Rack Mount

For customers installing four or more encoders at a single location, the rack mount helps to facilitate a cleaner installation and provides:

- Rack space for up to eight encoders
- Cooler operating temperatures for installed encoders
- Cable management
- Increased physical security (all units bolted into the rack)

North America . . . . . 1 800 563 5564  
Latin America . . . . . +5255 5259 9511  
Europe . . . . . +39 0362 17935  
Asia . . . . . +65 6818 0963  
Australia and New Zealand . . . . +61 1300 089 419  
Middle East and Africa . . . . . +971 4 399 5525

© 2015. March Networks, An Infinova Company. All rights reserved. Information in this document is subject to change without notice. MARCH NETWORKS, March Networks Command, March Networks Searchlight, March Networks RideSafe, Shadow Archive and the MARCH NETWORKS logo are trademarks of March Networks Corporation. Infinova is a trademark of Infinova Corporation. All other trademarks are the property of their respective owners. 060-3197-01-C [marchnetworks.com](http://marchnetworks.com)

