

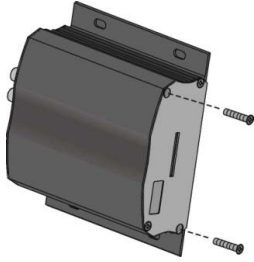
VIDEO CODEC RACK MOUNT PLATE

Rack Mount Plate can accommodate up to eight Video Encoder or Video Decoder devices (Video Codecs). The installation instruction of Rack Mount Plate is described as follows:

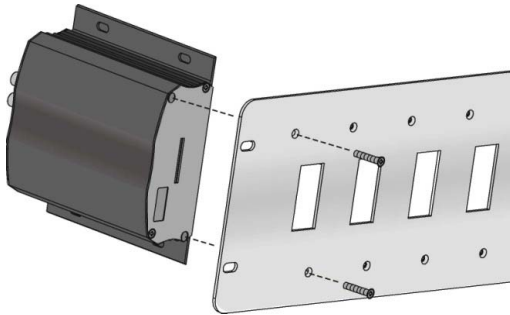
Dimension: 3U for 19-inch racks.

To install the Rack Mount Plate:

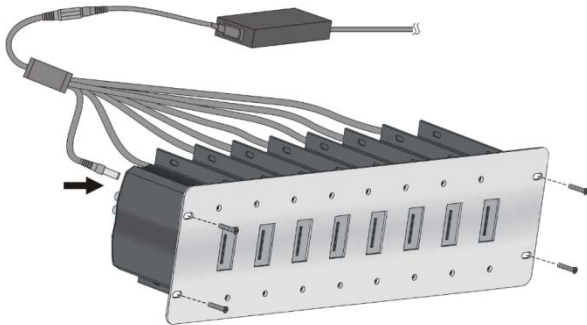
1. On the front panel of the Video Codec device, carefully remove the two screws.



2. Install the device on the Rack Mount Plate with the supplied screws of the Video Codec as in the following way:



3. Please connect 12 VDC connectors into the Video Codecs. After all the devices are properly installed, install the Rack Mount Plate on the rack using the four mounting holes.



Video Codec Rack Mount Plate Specification	
Dimension	480 mm (Width) * 133.5 mm (Height) * 2 mm (Depth)
Weight	850 grams
Power supplier	12 VDC, 4.2 A, Max: 48W
Power cable	One-to-eight 12 VDC connectors included