

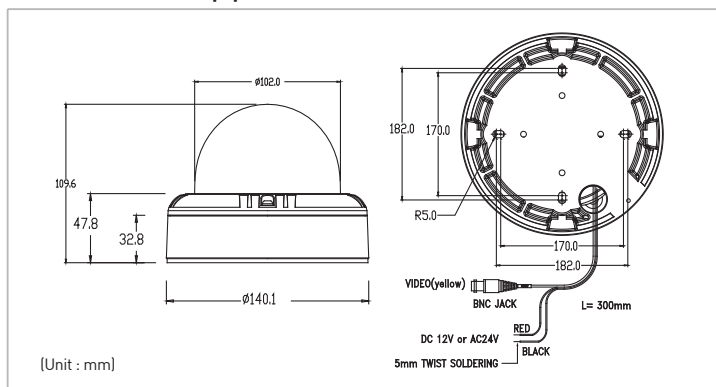
# KD-CV980, 9100 Series (Vandal Dome Camera) | DOME CAMERAS

C  
A  
M  
E  
R  
A  
S

A  
C  
C  
E  
S  
S  
O  
R  
I  
E  
S



## Outward Appearance



## Features

- 3-AXIS / 90° TILT DOME
- High resolution picture quality through digital signal processor
- Superior Wide Dynamic Range
- True Day & Night function
- Second video output
- OSD Control (KVD-CB100 Series)
- Protection against rain and wind (IP66)
- DC Varifocal lens
- CS mount capability
- Wide voltage input operation
- Easy installation & operation

## Lens Options

- FIXED BOARD LENS: 3.6 MM
- VARIFOCAL LENS: 4-9MM, 3.3-12MM

## Specifications

General Spec		KD-CV980WT	KD-CV9100WT	KD-CV980WTP	KD-CV9100WTP
Sensor		1/3" Interlaced color CCD (Double speed CCD)	1/3" CMOS (Wide Dynamic Range sensor)	1/3" Interlaced color CCD (Double speed CCD)	1/3" CMOS (Wide Dynamic Range sensor)
H.Resolution		480	480	480	480
Scanning system	NTSC	525 Lines interlaced	525 Lines interlaced	525 Lines interlaced	525 Lines interlaced
	PAL	625 Lines interlaced	625 Lines interlaced	625 Lines interlaced	625 Lines interlaced
Video output		Composite (1.0Vp-p), 75Ω	Composite (1.0Vp-p), 75Ω	Composite (1.0Vp-p), 75Ω	Composite (1.0Vp-p), 75Ω
Synchronization		Internal	Internal	Internal / Line Lock	Internal / Line Lock
Electronics iris	NTSC	1/60 ~ 1/100,000	1/60 ~ 1/100,000	1/60 ~ 1/100,000	1/60 ~ 1/100,000
	PAL	1/50 ~ 1/100,000	1/50 ~ 1/100,000	1/50 ~ 1/100,000	1/50 ~ 1/100,000
Light sensitivity		(B/W)0.04Lux with F1.2 30IRE	0.08Lux (DSS on) with F1.2 50IRE	(B/W)0.04Lux with F1.2 30IRE	0.08Lux (DSS on) with F1.2 50IRE
Gamma		0.45	0.45	0.45	0.45
S/N Ratio		46dB	48dB	46dB	48dB
Input voltage		DC8.0-18[V]	DC10-16[V]	DC10-20[V], AC20-28[V]	DC10-20[V], AC20-28[V]
OSD Control		N/A	OSD Control	N/A	OSD Control
Power consumption		MAX 2.4[W]	MAX 2.1[W]	MAX 3.5[W]	MAX 2.9[W]
Operating temperature		-10°C ~ +55°C	-10°C ~ +55°C	-10°C ~ +55°C	-10°C ~ +55°C
Storage temperature		-20°C ~ +70°C	-20°C ~ +70°C	-20°C ~ +70°C	-20°C ~ +70°C
Operating Humidity		90% RH (non-condensing)	90% RH (non-condensing)	90% RH (non-condensing)	90% RH (non-condensing)
Connection	Video	BNC Cable	BNC Cable	BNC Cable	BNC Cable
	Power	DC JACK	DC JACK	Wire Type	Wire Type
Dimension		140.1(Ø) X 109.6mm	140.1(Ø) X 109.6mm	140.1(Ø) X 109.6mm	140.1(Ø) X 109.6mm
Weight		245g	245g	245g	245g
Certification		CE/FCC	CE/FCC	CE/FCC	CE/FCC