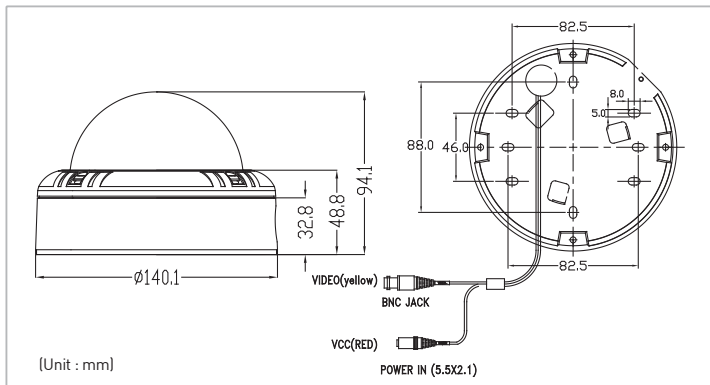


# KD-CV80, 100 Series (Vandal Dome Camera) | DOME CAMERAS



## Outward Appearance



## Features

- 3-AXIS DOME
- High resolution picture quality through digital signal processor
- Superior Wide Dynamic Range
- Second video output
- OSD Control (KVD-CB100 Series)
- Protection against rain and wind (IP66)
- True Day & Night function
- DC Varifocal lens
- Wide voltage input operation
- Easy installation & operation

## Lens Options

- FIXED BOARD LENS: 3.6 MM
- VARIFOCAL LENS: 4-9MM, 3.3-12MM

## Specifications

General Spec	KD-CV80WT	KD-CV100WT	KD-CV80WTP	KD-CV100WTP
Sensor	1/3" Interlaced color CCD (Double speed CCD)	1/3" CMOS (Wide Dynamic Range sensor)	1/3" Interlaced color CCD (Double speed CCD)	1/3" CMOS (Wide Dynamic Range sensor)
H.Resolution	480	480	480	480
Scanning system	NTSC	525 Lines interlaced	525 Lines interlaced	525 Lines interlaced
	PAL	625 Lines interlaced	625 Lines interlaced	625 Lines interlaced
Video output	Composite (1.0Vp-p), 75Ω	Composite (1.0Vp-p), 75Ω	Composite (1.0Vp-p), 75Ω	Composite (1.0Vp-p), 75Ω
Synchronization	Internal	Internal	Internal / Line Lock	Internal / Line Lock
Electronics iris	NTSC	1/60 ~ 1/100,000	1/60 ~ 1/100,000	1/60 ~ 1/100,000
	PAL	1/50 ~ 1/100,000	1/50 ~ 1/100,000	1/50 ~ 1/100,000
Light sensitivity	(B/W)0.04Lux with F1.2 30IRE	0.08Lux (DSS on) with F1.2 50IRE	(B/W)0.04Lux with F1.2 30IRE	0.08Lux (DSS on) with F1.2 50IRE
Gamma	0.45	0.45	0.45	0.45
S/N Ratio	46dB	48dB	46dB	48dB
Input voltage	DC8.0-18[V]	DC10-16[V]	DC10-20[V], AC20-28[V]	DC10-20[V], AC20-28[V]
OSD Control	N/A	OSD Control	N/A	OSD Control
Power consumption	MAX 2.4[W]	MAX 2.1[W]	MAX 3.5[W]	MAX 2.9[W]
Operating temperature	-10°C ~ +55°C	-10°C ~ +55°C	-10°C ~ +55°C	-10°C ~ +55°C
Storage temperature	-20°C ~ +70°C	-20°C ~ +70°C	-20°C ~ +70°C	-20°C ~ +70°C
Operating Humidity	90% RH (non-condensing)	90% RH (non-condensing)	90% RH (non-condensing)	90% RH (non-condensing)
Connection	Video	BNC Cable	BNC Cable	BNC Cable
	Power	DC JACK	DC JACK	Wire Type
Dimension	140.1(∅) X 94.1mm	140.1(∅) X 94.1mm	140.1(∅) X 94.1mm	140.1(∅) X 94.1mm
Weight	245g	245g	245g	245g
Certification	CE/FCC	CE/FCC	CE/FCC	CE/FCC