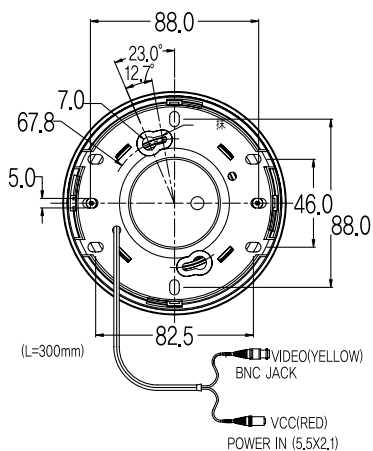
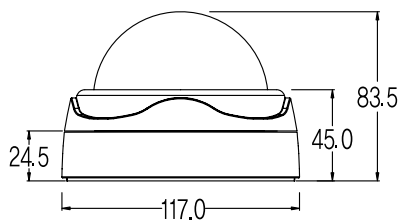


KD-9049VI (Varifocal Color Dome Camera) | DOME CAMERAS



■ Outward Appearance



(Unit : mm)

■ Features

- 1/3" 410K Pixels color SONY CCD applied to ensure high image quality of Horizontal Resolution of over 550TV
- Mini Dome Camera with Refined Design
- S/N Ratio 45dB and over
- Equipped with backlight compensation function (BLC)
- Equipped with Automatic white balancing (AWB)
- Equipped with Electronic light control (ELC)
- Color option : White, Black
- 4~9mm DC Auto Iris Lens Mounted

■ Specifications

General Spec	KD-9049VI	
	NTSC	PAL
CCD Type	1/3", 410K Pixels color	1/3", 470K Pixels color
Total No. Pixels	811(H) × 508(V)	795(H) × 596(V)
Scanning System	525Lines	625Lines
Horizontal Resolution	550 TV Lines	
Sensitivity to Light	0.3 Lux with F1.2 Lens	
Gamma Correction	0.45	
Shutter Speed	1/60~1/100,000	1/50~1/100,000
Synchronization	Internal/External	
S/N Ratio	0.48dB Over	
Video Output	1.0Vp~p/75 Ohm Composite	
Lens Mount	DC Type f=4~9mm	
Video Output	Video Output	BNC
	Power	2P Wire(Power)
Operating Temperature	-10°C ~ +55°C (Air Humidity Max 85%)	
Voltage	12V/DC	
Power Consumption	DC12V 2.5(W), AC24V 2.0(W)	
Dimension	114.4(∅) × 103(H)mm	
Weight	245g	